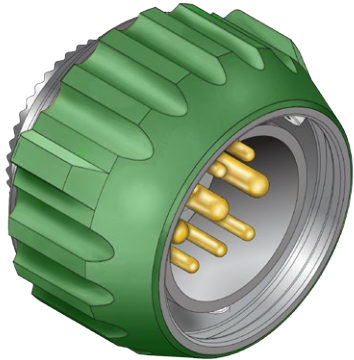


# SERIES 928 • QUARTER-TURN • BAYONET Connectors for HMI Lighting



## 928-005 Line Plug with Rubber Coupling Ring



### Features

- Rubber coupling ring
- ¼ turn bayonet lock for secure attachment
- Intermateable, interchangeable with "VEAM" type connectors
- Machined contacts
- Durable polymer electrocoat finish
- UL #E328968 recognized
- IP67 ingress protection

### Specifications

- Operating temperature: -55°C. to +125°C.
- Suggested maximum operating voltage: 500 Vac
- Current rating: size #4 contact 80 A, size #8 46 A, size #12 23 A, size #16 13 A
- Meets mechanical, electrical and environmental requirements of MIL-DTL-5015 and VG95234

### Connector Construction

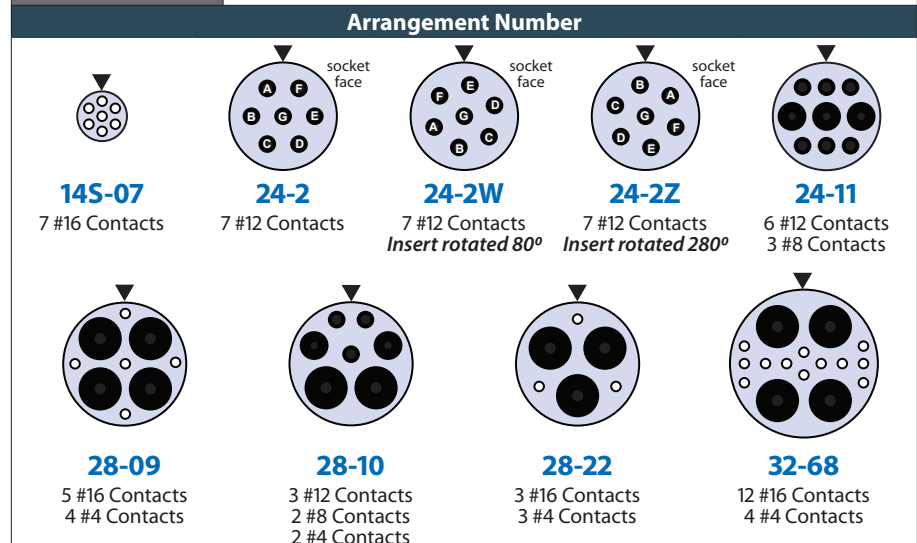
- Shell: aluminum with black polymer electrocoat
- Coupling ring: aluminum with black polymer electrocoat and neoprene overmolding
- Contacts: copper alloy, silver or gold plating
- Insert: neoprene

### Cable Grip Construction

- Adapter: aluminum with black polymer electrocoat
- Style 1 EZ Clamp: aluminum with black polymer electrocoat, neoprene sealing gland
- Style 2 Cordgrip: 6/6 nylon, UL 94V-0, with TPE sealing gland

928-005 male line connectors are compatible with standard "VEAM" type quarter-turn bayonet connectors used on HMI lighting ballasts and heads. Rubber covered coupling ring is easy to turn and is available in various colors. Aluminum shell, neoprene inserts, machined copper alloy contacts with gold or silver plating. 125° C. temperature rating, 500Vac, 13 A to 80 A current rating depending on contact size. Crimp or solder termination.

How To Order		928-005-	24-2	P	C	2	A	BK	1
Product	928-005 = Line Plug								
Arrangement Number	14S-07 24-2 24-2W 24-2Z 24-11 28-09 28-10 28-22 32-68								
Contact Type	P = Pin contacts (male) S = Socket contacts (female)								
Contact Termination Style	S = Solder (installed) C = Crimp (uninstalled)								
Contact Finish	1 = Silver (standard) 2 = Gold (optional)								
Shell Finish	A = Black polymer electrocoat								
Coupling Ring Color	BK = Black RD = Red YL = Yellow BL = Blue OR = Orange LG = Light Green GY = Grey								
Cable Grip	Omit for connector with no cable grip 1 = EZ Clamp "bullet" style machined aluminum cordgrip 2 = Nylon cordgrip with PG cable gland, liquid tight								



SERIES 928 • QUARTER-TURN • BAYONET  
**Connectors for HMI Lighting**



928-005 Line Plug with Rubber Coupling Ring



Connector Only

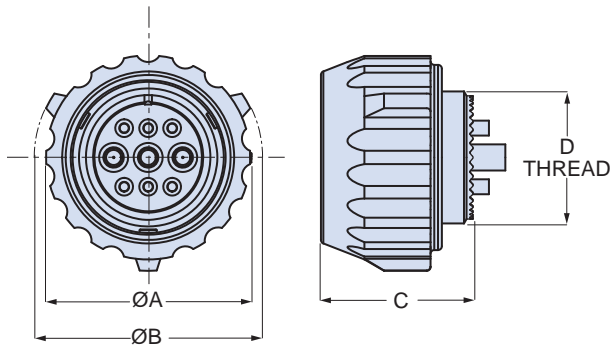


Connector with Nylon Cordgrip



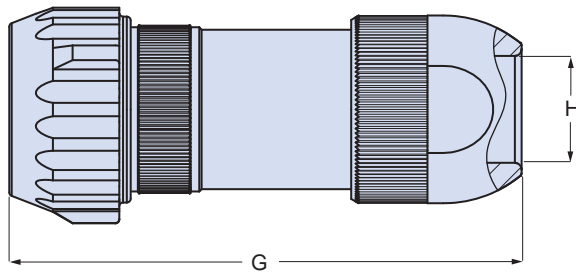
Connector with Aluminum EZ Clamp

**CONNECTOR DIMENSIONS**



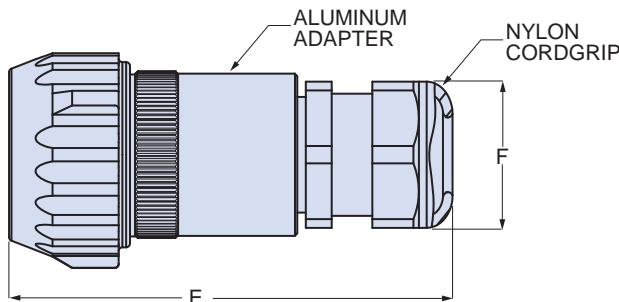
Arrangement No.	øA		øB		C		D
	In.	mm.	In.	mm.	In.	mm.	Thread
14S-07	1.38	35.0	1.65	42.0	.97	24.7	.7500-20 UNEF
24-2	2.13	54.0	2.36	60.0	1.41	35.9	1.375-18 UNEF
24-2W	2.13	54.0	2.36	60.0	1.41	35.9	1.375-18 UNEF
24-2Z	2.13	54.0	2.36	60.0	1.41	35.9	1.375-18 UNEF
24-11	2.13	54.0	2.36	60.0	1.41	35.9	1.375-18 UNEF
28-09	2.40	61.0	2.64	67.0	1.41	35.7	1.625-18 UNEF
28-10	2.40	61.0	2.64	67.0	1.41	35.7	1.625-18 UNEF
28-22	2.40	61.0	2.64	67.0	1.41	35.7	1.625-18 UNEF
32-68	2.68	68.0	2.99	76.0	1.48	37.5	1.875-16 UN

**STYLE 1 ALUMINUM EZ CLAMP DIMENSIONS**



Arrangement No.	G Max.		H Max.		Cable Dia. Range			
	In.	mm.	In.	mm.	In.		mm.	
					Min.	Max.	Min.	Max.
14S-07	3.81	96.8	1.02	25.8	.23	.44	5.8	11.1
24-2	4.59	116.6	1.69	43.0	.61	.94	15.5	23.8
24-2W	4.59	116.6	1.69	43.0	.61	.94	15.5	23.8
24-2Z	4.59	116.6	1.69	43.0	.61	.94	15.5	23.8
24-11	4.59	116.6	1.69	43.0	.61	.94	15.5	23.8
28-09	4.78	121.5	1.69	43.0	.61	.94	15.5	23.8
28-10	4.78	121.5	1.69	43.0	.61	.94	15.5	23.8
28-22	4.78	121.5	1.69	43.0	.61	.94	15.5	23.8
32-68	5.02	127.4	2.01	51.0	.92	1.25	23.4	31.8

**STYLE 2 NYLON CORDGRIP DIMENSIONS**



Arrangement No.	E Max.		F Max.		Cable Dia. Range			
	In.	mm.	In.	mm.	In.		mm.	
					Min.	Max.	Min.	Max.
14S-07	3.28	83.2	1.04	26.5	.51	.71	13.0	18.0
24-2	4.03	102.3	1.16	29.5	.71	.98	18.0	25.0
24-2W	4.03	102.3	1.16	29.5	.71	.98	18.0	25.0
24-2Z	4.03	102.3	1.16	29.5	.71	.98	18.0	25.0
24-11	4.03	102.3	1.16	29.5	.79	1.26	20.0	32.0
28-09	4.67	118.5	1.82	46.3	.79	1.26	20.0	32.0
28-10	4.67	118.5	1.82	46.3	.79	1.26	20.0	32.0
28-22	4.67	118.5	1.82	46.3	.79	1.26	20.0	32.0
32-68	4.96	126.1	1.82	46.3	.79	1.26	20.0	32.0