

PART NUMBER DEVELOPMENT

EXAMPLE: 947 - 042- 36 - 12 P X

PRODUCT SERIES |

BASIC NO |

SHELL SIZE, TABLE I |

INSERT ARRANGEMENT |

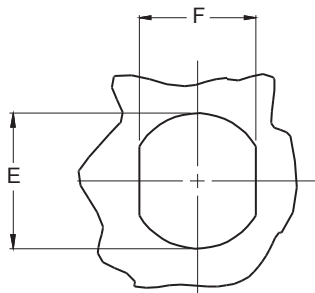
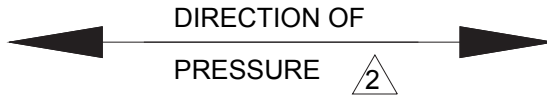
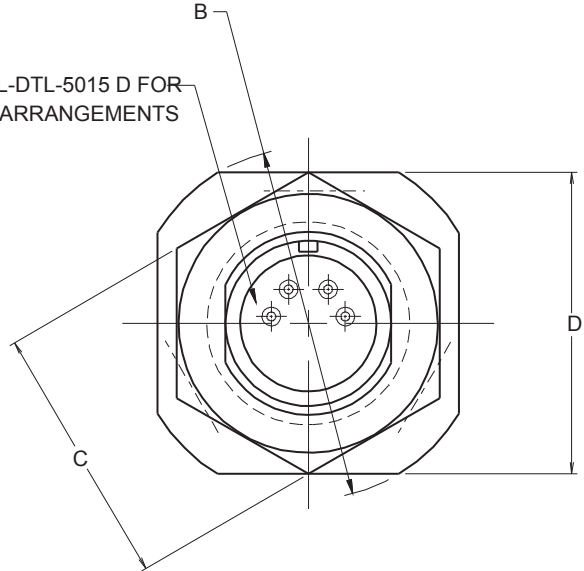
P = PIN ON JAM NUT SIDE,
 SOCKET OPPOSITE

S = SOCKET ON JAM NUT SIDE,
 PIN OPPOSITE

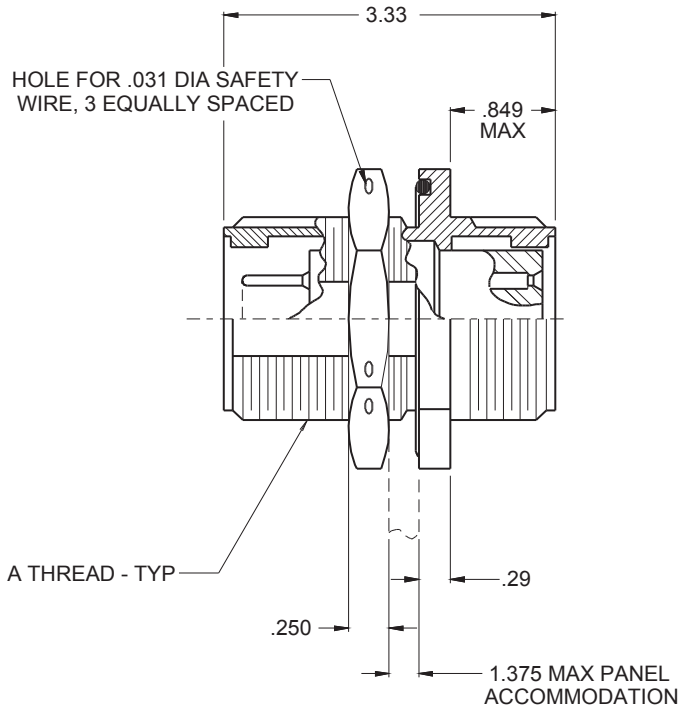
△ 5 PP= PIN ON BOTH SIDES

ALTERNATE POLARIZATION
 OMIT FOR NORMAL

SEE MIL-DTL-5015 D FOR
 INSERT ARRANGEMENTS



RECOMMENDED PANEL CUT-OUT



947-042
Bulkhead Feed-Thru, Hermetic, Jam Nut Mount
Pin-Socket Contacts
MIL-DTL-5015 "D" Series Type Connectors



MIL-DTL-5015

TABLE I: CONNECTOR DIMENSIONS

SHELL SIZE	A THREAD CLASS 2A	B DIA MAX	C HEX	D FLATS	E DIA ±.005 (0.1)	F +.015 - .000 (+0.4 - 0)
08	1/2-28 UNEF	1.000 (25.4)	.688 (17.5)	.875 (22.2)	.510 (13.0)	.460 (11.7)
10	5/8-24 UNEF	1.125 (28.6)	.812 (20.6)	1.000 (25.4)	.635 (16.1)	.578 (14.7)
12	3/4-20 UNEF	1.250 (31.8)	.938 (23.8)	1.125 (28.6)	.760 (19.3)	.692 (17.6)
14	7/8-20 UNEF	1.375 (34.9)	1.062 (27.0)	1.250 (31.8)	.885 (22.5)	.817 (20.8)
16	1 -20 UNEF	1.500 (38.1)	1.250 (31.8)	1.375 (34.9)	1.010 (25.7)	.942 (23.9)
18	1 1/8-18 UNEF	1.750 (44.5)	1.375 (34.9)	1.625 (41.3)	1.135 (28.8)	1.060 (26.9)
20	1 1/4-18 UNEF	1.875 (47.6)	1.500 (38.1)	1.750 (44.5)	1.260 (32.0)	1.185 (30.1)
22	1 3/8-18 UNEF	2.000 (50.8)	1.625 (41.3)	1.875 (47.6)	1.385 (35.2)	1.310 (33.3)
24	1 1/2-18 UNEF	2.188 (55.6)	1.750 (44.5)	2.000 (50.8)	1.510 (38.4)	1.435 (36.4)
28	1 3/4-18 UNEF	2.438 (61.9)	2.000 (50.8)	2.250 (57.2)	1.760 (44.7)	1.687 (42.8)
32	2 -18 UNEF	2.688 (68.3)	2.250 (57.2)	2.500 (63.5)	2.010 (51.1)	1.937 (49.2)
36	2 1/4-16 UN	2.938 (74.6)	2.500 (63.5)	2.750 (69.9)	2.260 (57.4)	2.177 (55.3)

NOTES:

1. ASSEMBLY IDENTIFIED WITH MANUFACTURER'S NAME AND P/N, SPACE PERMITTING.
2. HERMETICITY - LESS THAN 1 X 10⁻⁶ CC/SEC AT ONE ATMOSPHERE. NOT FOR USE IN LIQUID ATMOSPHERE. CONNECTOR RATED TO 200° C AND 1000 PSI. MAX
3. OUTGAS FOR SPACE APPLICATION.
4. MATERIAL/FINISH:
 JAM NUT, HOODS, LOCKRING, SHELL ASSEMBLY - SST./PASSIVATE
 CONTACTS - ALLOY 52/GOLD PLATE
 INSULATORS - HIGH-GRADE RIGID DIELECTRIC, FULL GLASS OR GLASS BEAD
 O-RINGS - SILICONE/N.A.
5. FOR PIN TO PIN, SYMMETRICAL LAYOUTS ONLY. POWER TO A GIVEN CONTACT ON ONE END WILL RESULT IN POWER TO CONTACT DIRECTLY OPPOSITE, REGARDLESS OF IDENTIFICATION LETTER.