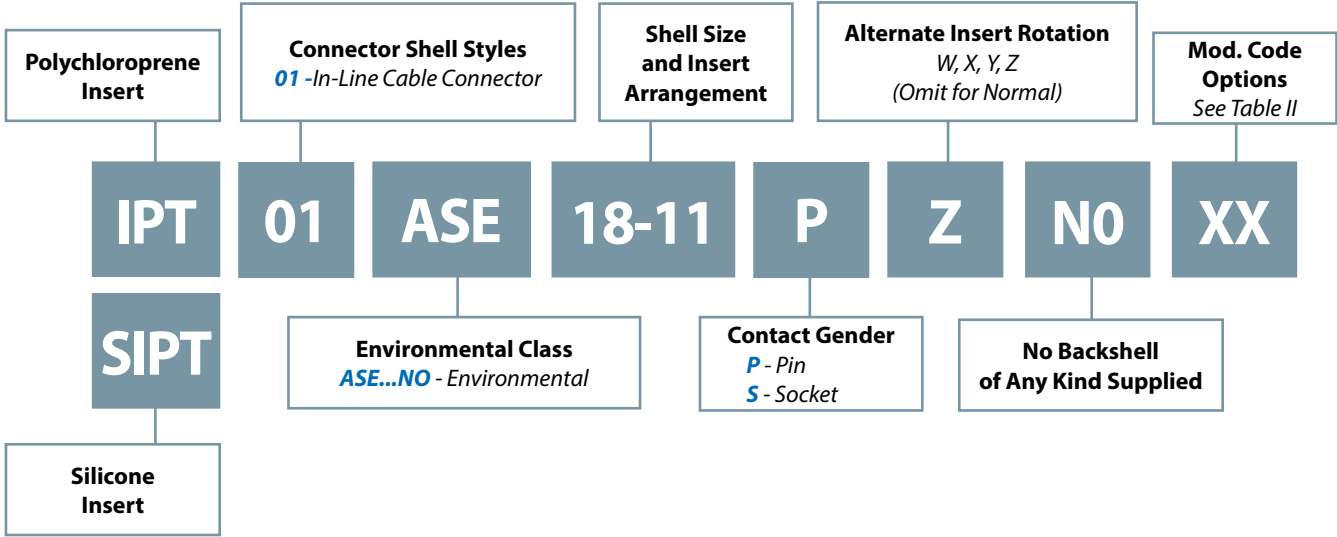
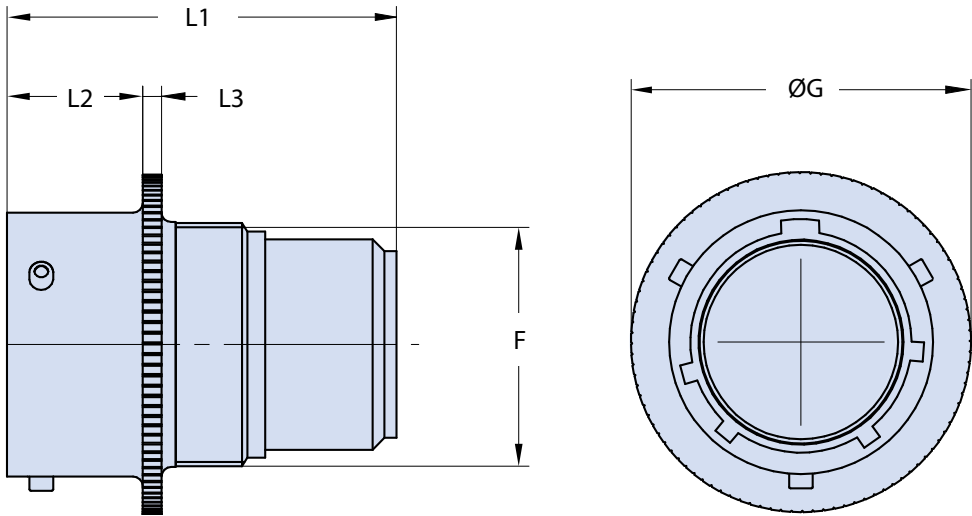


# IPT 01 ASE...NO In-Line Cable Connector

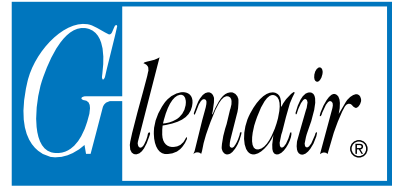


B



- Application Notes**
1. In-Line cable connector threaded in the rear body for the attachment of additional accessories.
  2. Connector Class "ASE...NO" (environmental).
  3. Standard materials configuration consists of aluminum alloy with stainless steel coupling pins.
  4. Standard contact material consists of copper alloy with gold plating over nickel.
  5. A broad range of other front and rear connector accessories are available. See our website and/or contact factory for complete information.
  6. Standard insert is high insulation synthetic rubber.

**IPT 01 ASE...N0**  
**In-Line Cable Connector**



**TABLE I: DIMENSIONS**

Shell size	ØG ±0.2	F Thread in inches	L1 Max.	L2 + 0.8 - 0	L3 Max.
8	17.3	.4375 - 28 UNEF	33.5	10.94	2.0
10	21.8	.5625 - 24 UNEF	33.5	10.94	2.0
12	25.1	.6875 - 24 UNEF	33.5	10.94	2.0
14	28.6	.8125 - 20 UNEF	33.5	10.94	2.0
16	30.6	.9375 - 20 UNEF	33.5	10.94	2.0
18	33.2	1.0625 - 18 UNEF	33.5	10.94	2.0
20	36.5	1.1875 - 18 UNEF	34.7	14.12	2.8
22	39.6	1.3125 - 18 UNEF	36.0	14.12	2.8
24	43.1	1.4375 - 18 UNEF	36.0	14.96	2.8

**B**

**TABLE II: MODIFICATION CODES**

CONTACT OPTIONS	
Sym	Description
<b>B0</b>	Connector Without Contacts (Only for crimp version)
FINISH OPTIONS	
Sym	Description and RoHS compliant
<b>F6</b>	Black Electrodeposited Paint
<b>F7</b>	Black Zinc Nickel
<b>F11</b>	Electroless Nickel
<b>MB</b>	Marine Bronze
<b>Omit for standard version (Cadmium Olive Drab Finish)</b>	