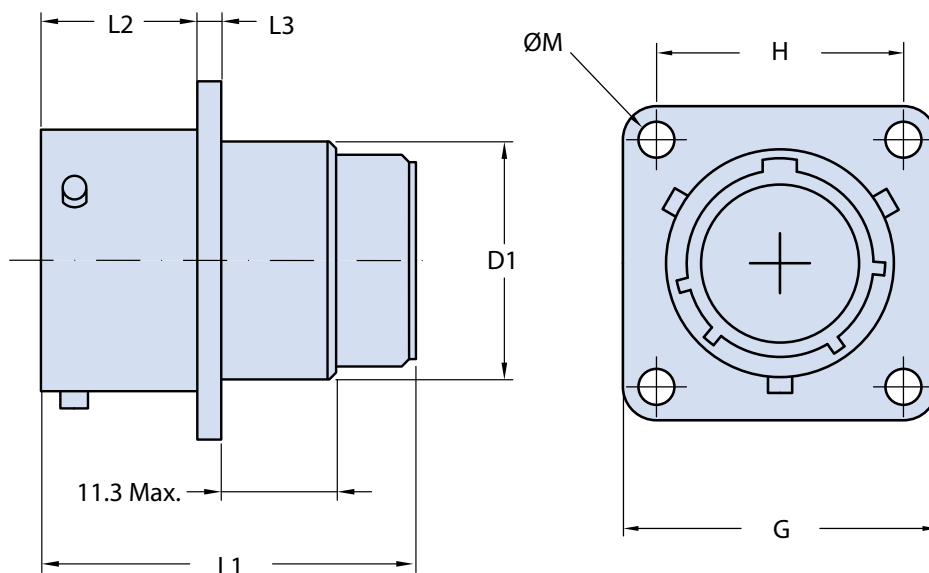
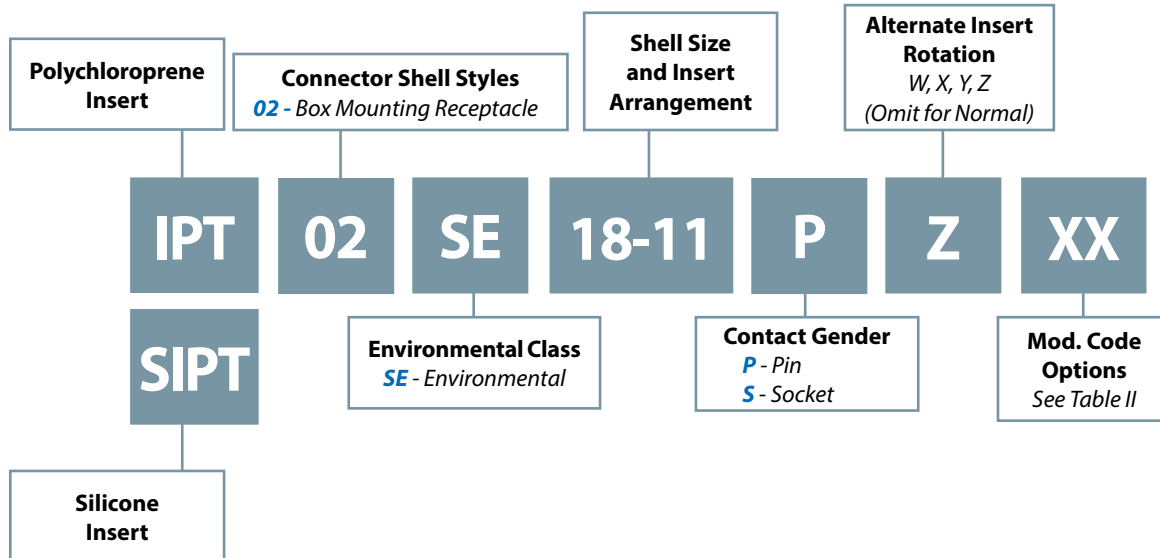


# IPT 02 SE Box Mounting Square Flange Receptacle



### Application Notes

1. Box mounting receptacle with through mounting holes; no rear accessory threads.
2. Connector Class "SE" (environmental).
3. Standard materials configuration consists of aluminum alloy with stainless steel coupling pins.
4. Standard contact material consists of copper alloy with gold plating over nickel.
5. Standard insert is high insulation synthetic rubber.

**IPT 02 SE**  
**Box Mounting Square Flange Receptacle**



**TABLE I: DIMENSIONS**

Shell size	G ±0.4	H ±0.1	ØM +0.1 0	D1 + 0.8 - 0.6	L1 Max.	L2 + 0.8 - 0	L3 Max.
8	20.6	15.10	3.04	11.2	33.5	10.94	2.0
10	23.8	18.25	3.04	14.3	33.5	10.94	2.0
12	26.2	20.60	3.04	17.5	33.5	10.94	2.0
14	28.6	23.00	3.04	20.7	33.5	10.94	2.0
16	31.0	24.60	3.04	23.9	33.5	10.94	2.0
18	33.3	27.00	3.04	27.0	33.5	10.94	2.0
20	36.5	29.40	3.04	30.2	34.7	14.12	2.8
22	39.7	31.75	3.04	33.4	36.0	14.12	2.8
24	42.8	34.92	3.73	36.6	36.0	14.96	2.8

**B**

**TABLE II: MODIFICATION CODES**

CONTACT OPTIONS	
Sym	Description
<b>B0</b>	Connector Without Contacts (Only for crimp version)
FINISH OPTIONS	
Sym	Description and RoHS compliant
<b>F6</b>	Black Electrodeposited Paint
<b>F7</b>	Black Zinc Nickel
<b>F11</b>	Electroless Nickel
<b>MB</b>	Marine Bronze
<b>Omit for standard version (Cadmium Olive Drab Finish)</b>	