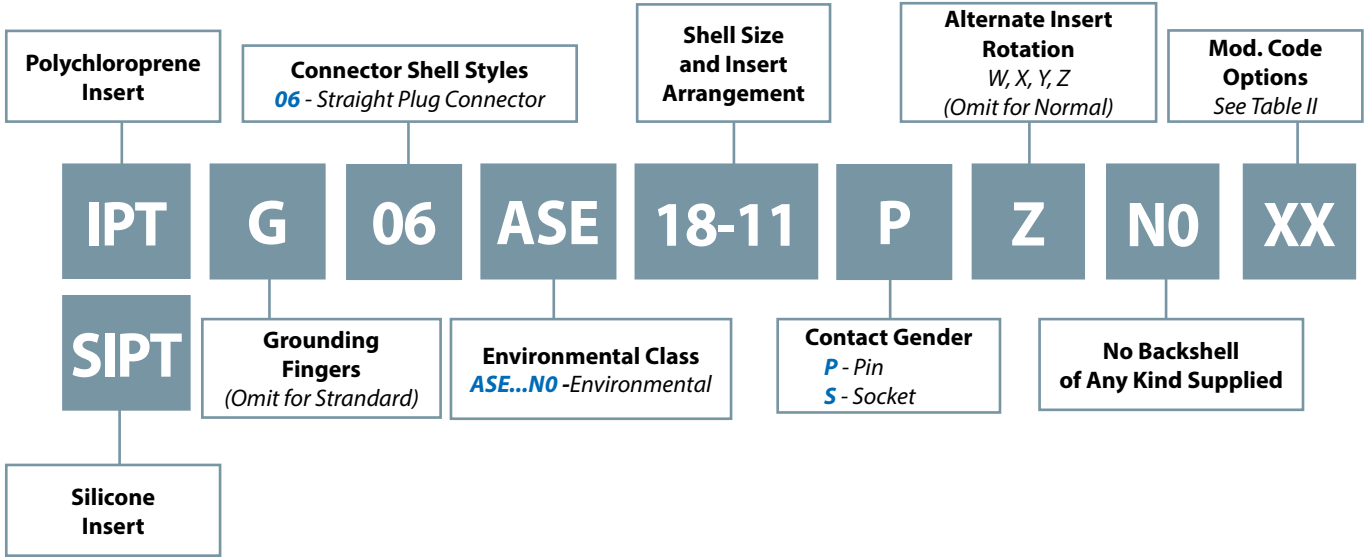
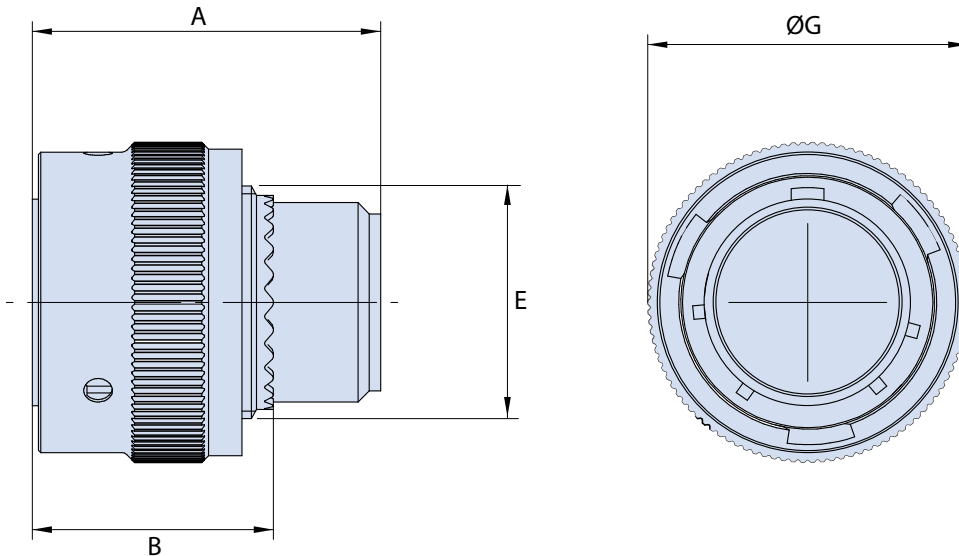




IPT 06 ASE...NO Straight Plug Connector without Backshell



B



- Application Notes**
1. Straight plug connector without backshell.
 2. Connector Class "ASE...NO"(environmental)
 3. Standard materials configuration consists of aluminum alloy.
 4. Standard contact material consists of copper alloy with gold plating over nickel.
 5. A broad range of other front and rear connector accessories are available. See our website and/or contact factory for complete information.
 6. Standard insert is high insulation synthetic rubber.

IPT 06 ASE...N0
Straight Plug Connector
without Backshell

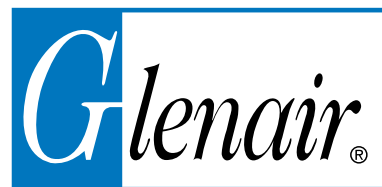


TABLE I: DIMENSIONS

Shell size	A ±0.5	ØG ±0.2	B ±0.2	E
8	31.7	18.10	21.4	.4375 - 28 UNEF
10	31.7	21.05	21.4	.5625 - 24 UNEF
12	31.7	25.15	21.4	.6875 - 24 UNEF
14	32.7	28.40	21.4	.8125 - 20 UNEF
16	31.7	31.60	21.4	.9375 - 20 UNEF
18	31.7	35.00	21.4	1.0625 - 18 UNEF
20	31.7	37.70	25.4	1.1875 - 18 UNEF
22	31.7	40.20	25.4	1.3125 - 18 UNEF
24	33.7	44.00	27.0	1.4375 - 18 UNEF

B

TABLE II: MODIFICATION CODES

CONTACT OPTIONS	
Sym	Description
B0	Connector Without Contacts (Only for crimp version)
FINISH OPTIONS	
Sym	Description and RoHS compliant
F6	Black Electrodeposited Paint
F7	Black Zinc Nickel
F11	Electroless Nickel
MB	Marine Bronze
Omit for standard version (Cadmium Olive Drab Finish)	