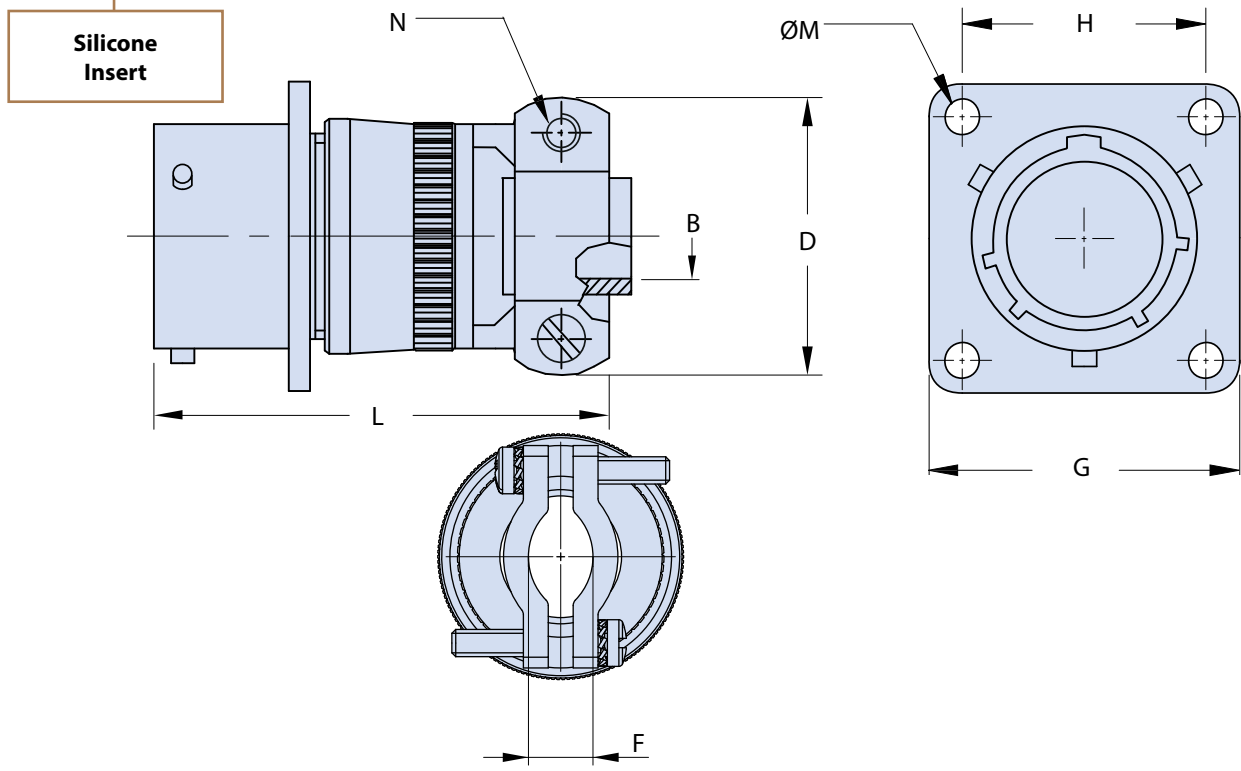
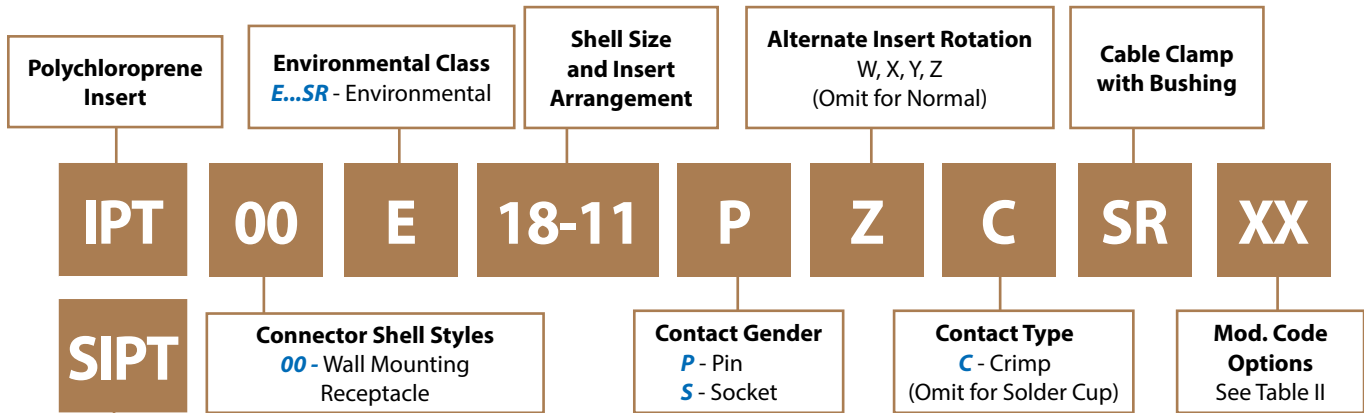




IPT 00 E...SR

Wall Mounting Receptacle with Backshell, Cable Clamp and Bushing



Application Notes

1. Wall mounting receptacle with cable clamp and bushing for cable protection; through mounting holes.
2. Connector Class "E" (environmental)—Wire sealing grommet supplied.
3. Standard materials configuration consists of aluminum alloy with stainless steel coupling pins.
4. Standard contact material consists of copper alloy with gold plating over nickel.
5. A broad range of other front and rear connector accessories are available. See our website and/or contact factory for complete information.
6. Standard insert is high insulation synthetic rubber.

IPT 00 E...SR
Wall Mounting Receptacle
with Backshell, Cable Clamp and Bushing

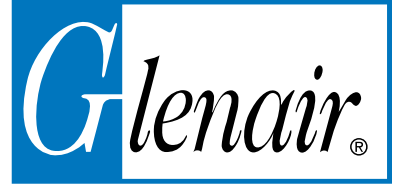


TABLE I: DIMENSIONS

Shell size	B ±0.25	F (*) ±0.75	D ±0.2	G ±0.4	H ±0.1	ØM +0.1 0	L Max.	N Thread
8	3.2	4	19.10	20.6	15.10	3.04	48.5	6 - 32
10	4.8	4	20.70	23.8	18.25	3.04	48.5	6 - 32
12	7.9	6,4	23.90	26.2	20.60	3.04	48.5	6 - 32
14	9.5	7,5	27.00	28.6	23.00	3.04	48.5	6 - 32
16	12.7	8,3	28.60	31.0	24.60	3.04	52.0	6 - 32
18	15.9	11,3	35.00	33.3	27.00	3.04	52.0	8 - 32
20	15.9	12,7	35.00	36.5	29.40	3.04	60.5	8 - 32
22	19.0	16,3	39.75	39.7	31.75	3.04	60.5	8 - 32
24	20.3	16,3	42.10	42.8	34.92	3.73	63.0	8 - 32

(*) Cable clamp cleats fully closed.

TABLE II: MODIFICATION CODES

CONTACT OPTIONS	
Sym	Description
B0	Connector Without Contacts (Only for crimp version)
FINISH OPTIONS	
Sym	Description and RoHS compliant
F6	Black Electrodeposited Paint
F7	Black Zinc Nickel
F11	Electroless Nickel
MB	Marine Bronze
Omit for standard version (Cadmium Olive Drab Finish)	

