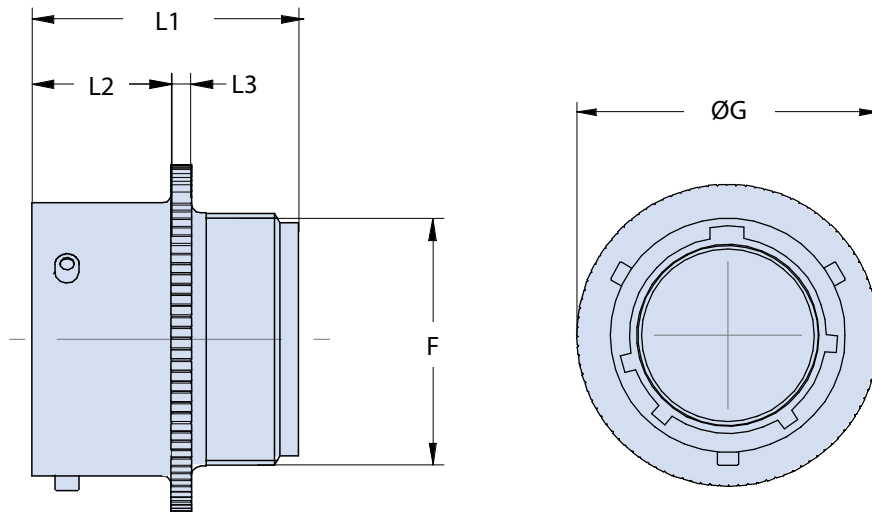
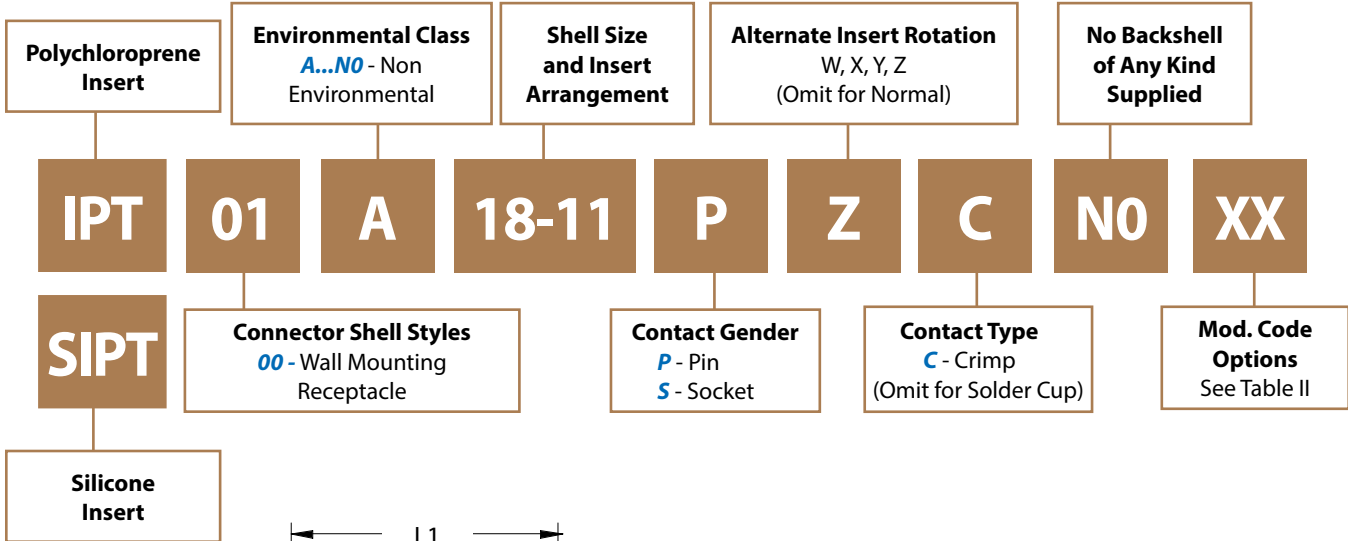




IPT 01 A...N0 In-Line Cable Connector without Backshell



Application Notes

1. In-line cable connector without backshell with rear thread for the attachment of additional accessories.
2. Connector Class "A...N0" (non-environmental)—no grommet supplied.
3. Standard materials configuration consists of aluminum alloy with stainless steel coupling pins.
4. Standard contact material consists of copper alloy with gold plating over nickel.
5. A broad range of other front and rear connector accessories are available. See our website and/or contact factory for complete information.
6. Standard insert is high insulation synthetic rubber.

IPT 01 A...NO
In-Line Cable Connector
without Backshell



TABLE I: DIMENSIONS

Shell size	ØG ±0.2	L1 Max.	L2 +0.8 -0	L3 Max.	F Thread in inches
8	17.3	21.7	10.94	2.0	.4375 - 28 UNEF
10	21.8	21.4	10.94	2.0	.5625 - 24 UNEF
12	25.1	21.7	10.94	2.0	.6875 - 20 UNEF
14	28.6	21.7	10.94	2.0	.8125 - 20 UNEF
16	30.6	21.4	10.94	2.0	.9375 - 20 UNEF
18	33.2	21.4	10.94	2.0	1.0625 - 18 UNEF
20	36.5	27.0	14.12	2.8	1.1875 - 18 UNEF
22	39.6	27.0	14.12	2.8	1.3125 - 18 UNEF
24	43.1	29.0	14.96	2.8	1.4375 - 18 UNEF

TABLE II: MODIFICATION CODES

CONTACT OPTIONS	
Sym	Description
B0	Connector Without Contacts (Only for crimp version)
FINISH OPTIONS	
Sym	Description and RoHS compliant
F6	Black Electrodeposited Paint
F7	Black Zinc Nickel
F11	Electroless Nickel
MB	Marine Bronze
Omit for standard version (Cadmium Olive Drab Finish)	

