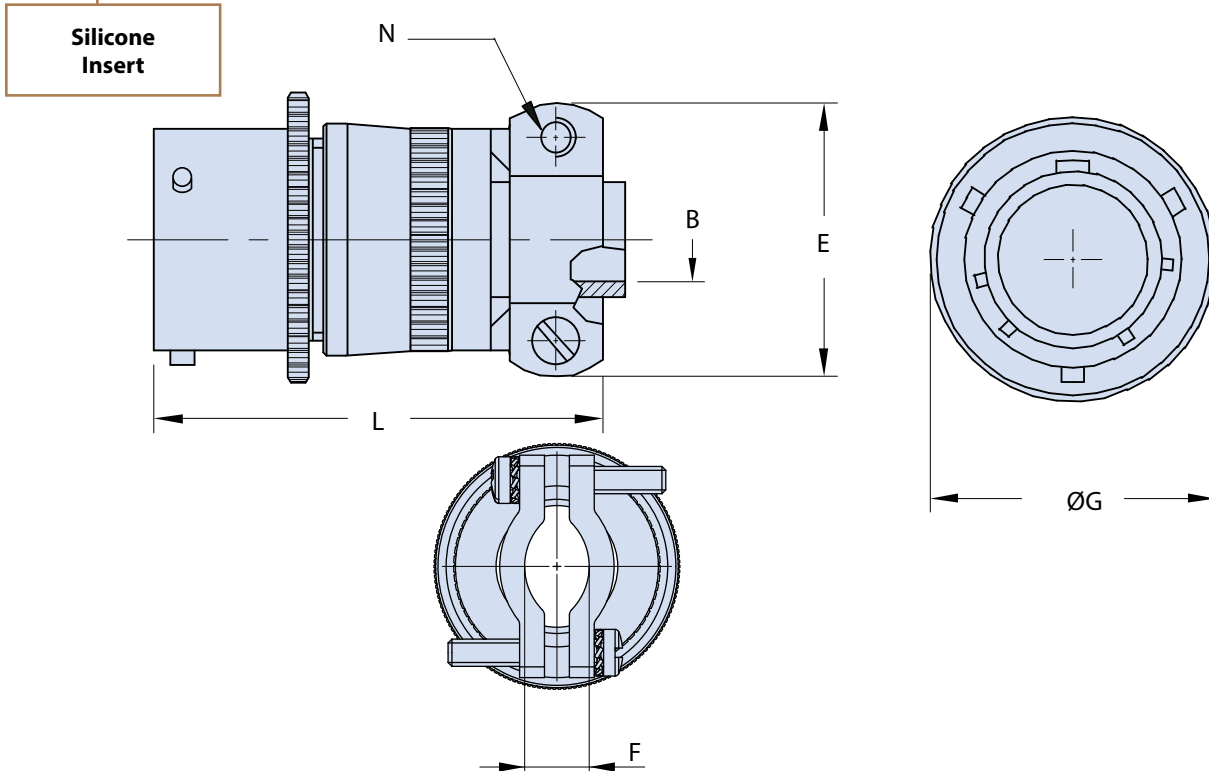
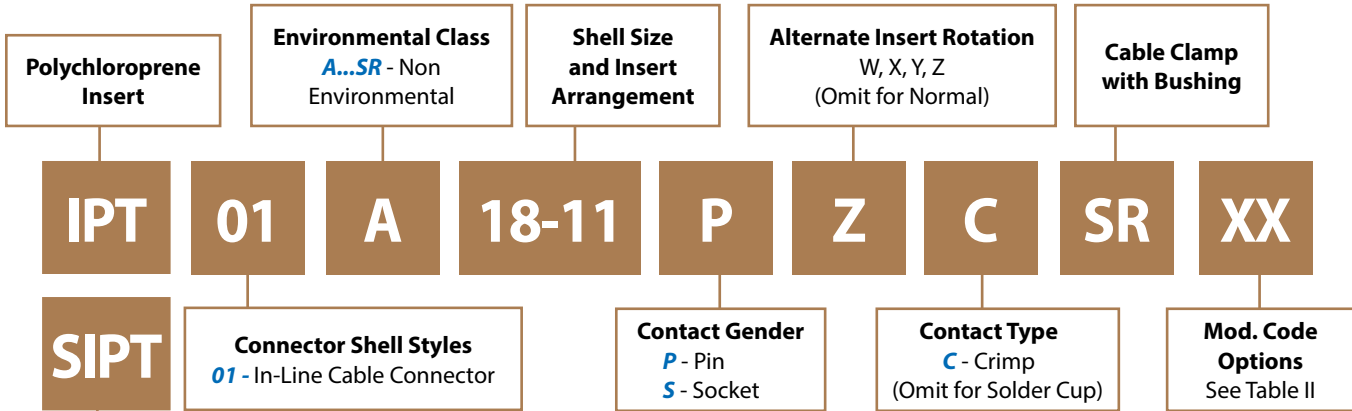


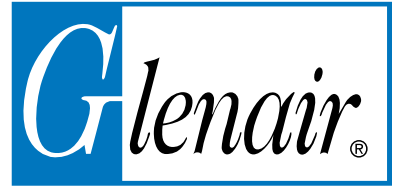
# IPT 01 A...SR In-Line Cable Connector with Backshell, Cable Clamp and Bushing



### Application Notes

1. In-line cable connector with backshell, cable clamp and bushing for cable protection.
2. Connector Class "A" (non-environmental)—no grommet supplied.
3. Standard materials configuration consists of aluminum alloy with stainless steel coupling pins.
4. Standard contact material consists of copper alloy with gold plating over nickel.
5. A broad range of other front and rear connector accessories are available. See our website and/or contact factory for complete information.
6. Standard insert is high insulation synthetic rubber.

**IPT 01 A...SR**  
**In-Line Cable Connector**  
 with Backshell,  
 Cable Clamp and Bushing



**TABLE I: DIMENSIONS**

| Shell size | B<br>±0.25 | F (*)<br>±0.75 | E<br>±0.2 | ØG<br>±0.2 | L<br>Max. | N<br>Thread |
|------------|------------|----------------|-----------|------------|-----------|-------------|
| 8          | 3.2        | 4              | 19.10     | 17.3       | 48.5      | 6 - 32      |
| 10         | 4.8        | 4              | 20.70     | 21.8       | 48.5      | 6 - 32      |
| 12         | 7.9        | 6,4            | 23.90     | 25.1       | 48.5      | 6 - 32      |
| 14         | 9.5        | 7,5            | 27.00     | 28.6       | 48.5      | 6 - 32      |
| 16         | 12.7       | 8,3            | 28.60     | 30.6       | 52.0      | 6 - 32      |
| 18         | 15.9       | 11,3           | 35.00     | 33.2       | 52.0      | 8 - 32      |
| 20         | 15.9       | 12,7           | 35.00     | 36.5       | 60.5      | 8 - 32      |
| 22         | 19.0       | 16,3           | 39.75     | 39.6       | 60.5      | 8 - 32      |
| 24         | 20.3       | 16,3           | 42.10     | 43.1       | 63.0      | 8 - 32      |

(\*) Cable clamp cleats fully closed.

**TABLE II: MODIFICATION CODES**

| CONTACT OPTIONS  |  |
|--|--|
| Sym  | Description  |
| <b>B0</b>  | Connector Without Contacts<br>(Only for crimp version) |
| FINISH OPTIONS   |  |
| Sym  | Description and RoHS compliant                         |
| <b>F6</b>  | Black Electrodeposited Paint                           |
| <b>F7</b>  | Black Zinc Nickel                                      |
| <b>F11</b>   | Electroless Nickel                                     |
| <b>MB</b>  | Marine Bronze  |
| <b>Omit for standard version<br/>(Cadmium Olive Drab Finish)</b> |  |