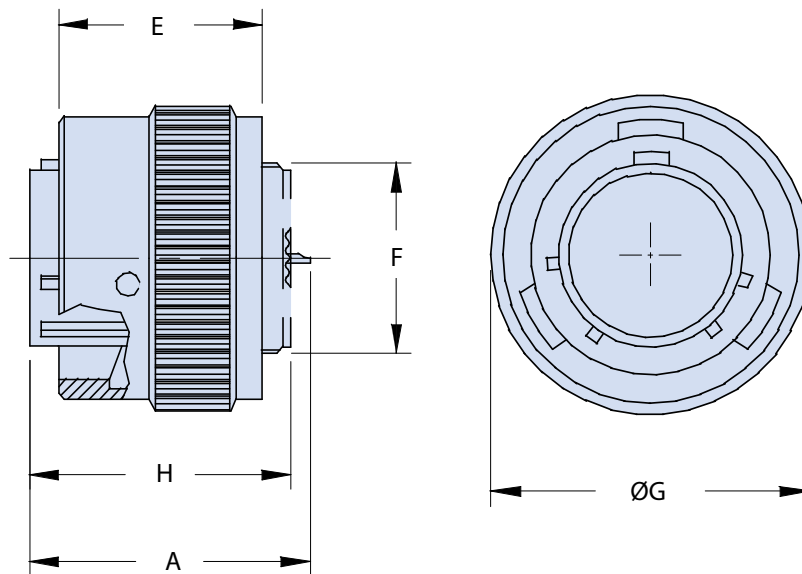
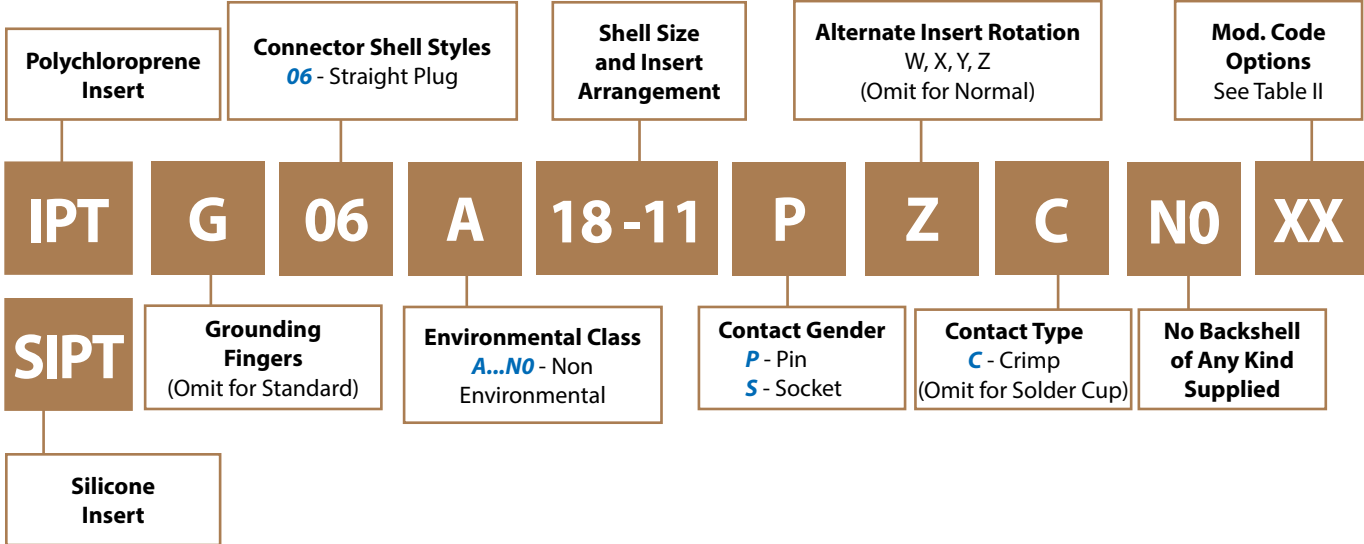




IPT 06 A...N0 Straight Plug Connector with Accessory Threads



Application Notes

1. Straight plug without backshell.
2. Connector Class "A" (non-environmental)—no grommet supplied.
3. Standard materials configuration consists of aluminum alloy.
4. Standard contact material consists of copper alloy with gold plating over nickel.
5. A broad range of other front and rear connector accessories are available. See our website and/or contact factory for complete information.
6. Standard insert is high insulation synthetic rubber.

IPT 06 A...N0
Straight Plug Connector
with Accessory Threads



TABLE I: DIMENSIONS

| Shell size | A Max. | H ±0.2 | E ±0.2 | ØG ±0.2 | F Thread in inches |
|------------|-----------|-----------|-----------|------------|-----------------------|
| 8 | 25.4 | 21.4 | 18 | 18.10 | .4375 - 28 UNEF |
| 10 | 25.4 | 21.4 | 18 | 21.05 | .5625 - 24 UNEF |
| 12 | 25.4 | 21.4 | 18 | 25.15 | .6875 - 20 UNEF |
| 14 | 25.4 | 21.4 | 18 | 28.40 | .8125 - 20 UNEF |
| 16 | 25.4 | 21.4 | 18 | 31.60 | .9375 - 20 UNEF |
| 18 | 25.4 | 21.4 | 18 | 35.00 | 1.0625 - 18 UNEF |
| 20 | 27.8 | 25.4 | 19 | 37.70 | 1.1875 - 18 UNEF |
| 22 | 27.8 | 25.4 | 19 | 40.20 | 1.3125 - 18 UNEF |
| 24 | 29.4 | 27.0 | 20 | 44.00 | 1.4375 - 18 UNEF |

TABLE II: MODIFICATION CODES

| CONTACT OPTIONS | |
|--|--|
| Sym | Description |
| B0 | Connector Without Contacts (Only for crimp version) |
| FINISH OPTIONS | |
| Sym | Description and RoHS compliant |
| F6 | Black Electrodeposited Paint |
| F7 | Black Zinc Nickel |
| F11 | Electroless Nickel |
| MB | Marine Bronze |
| Omit for standard version (Cadmium Olive Drab Finish) | |