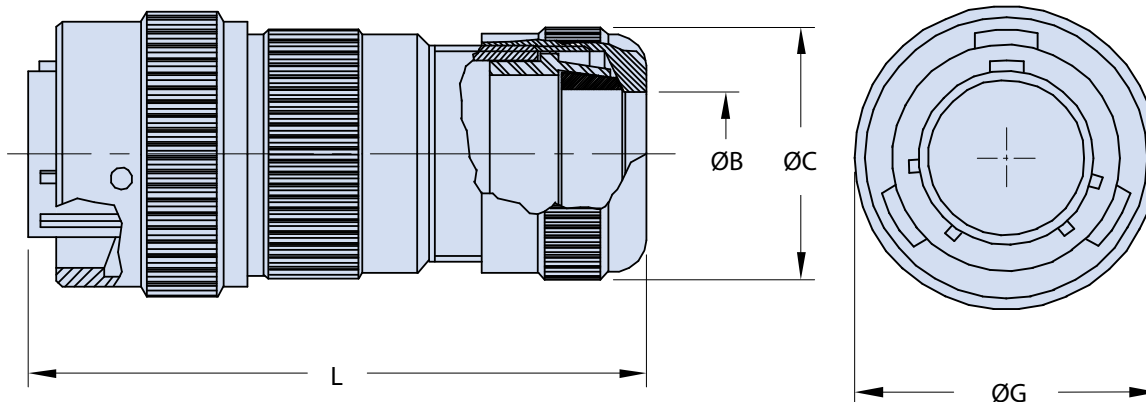
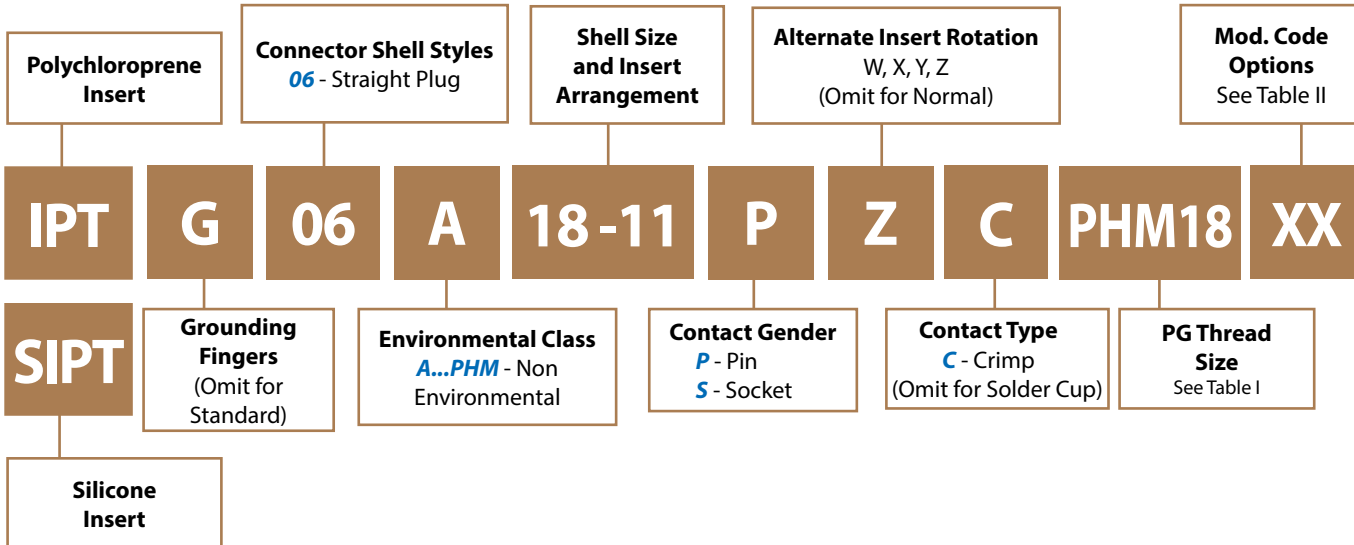




**IPT 06 A...PHM\_ \_**  
**Straight Plug Connector**  
**with PHM Backshell**  
**and Sleeves to Accommodate Various Cable Sizes**



**Application Notes**

1. Straight plug with PHM backshell includes rubber sleeves to allow use of different diameter cables.
2. Connector Class "A" (non-environmental)—no grommet supplied.
3. Standard materials configuration consists of aluminum alloy.
4. Standard contact material consists of copper alloy with gold plating over nickel.
5. A broad range of other front and rear connector accessories are available. See our website and/or contact factory for complete information.
6. Standard insert is high insulation synthetic rubber.

**IPT 06 A...PHM\_\_**  
**Straight Plug Connector**  
**with PHM Backshell**  
**and Sleeves to Accommodate Various Cable Sizes**



**TABLE I: DIMENSIONS**

Shell size	P.N. PHM	ØB min. - Max.	ØC Max.	ØG ±0.2	L Max.
8	7	2 - 7	15	18.10	55.00
10	9	2 - 9	21	21.05	55.00
12	11	2 - 11	24	25.15	65.00
14	11	2 - 11	24	28.40	65.00
16	11	2 - 11	24	31.60	65.00
18	11 / 18	2 - 11 / 9 - 16.5	42	35.00	80.00
20	18	9 - 16.5	42	37.70	80.00
22	18	9 - 16.5	42	40.20	80.00
24	18 / 22 / 24	9 - 16.5 / 15 - 20 / 19 - 24	42	44.00	80.00

**TABLE II: MODIFICATION CODES**

CONTACT OPTIONS	
Sym	Description
<b>B0</b>	Connector Without Contacts (Only for crimp version)
FINISH OPTIONS	
Sym	Description and RoHS compliant
<b>F6</b>	Black Electrodeposited Paint
<b>F7</b>	Black Zinc Nickel
<b>F11</b>	Electroless Nickel
<b>MB</b>	Marine Bronze
<b>Omit for standard version (Cadmium Olive Drab Finish)</b>	