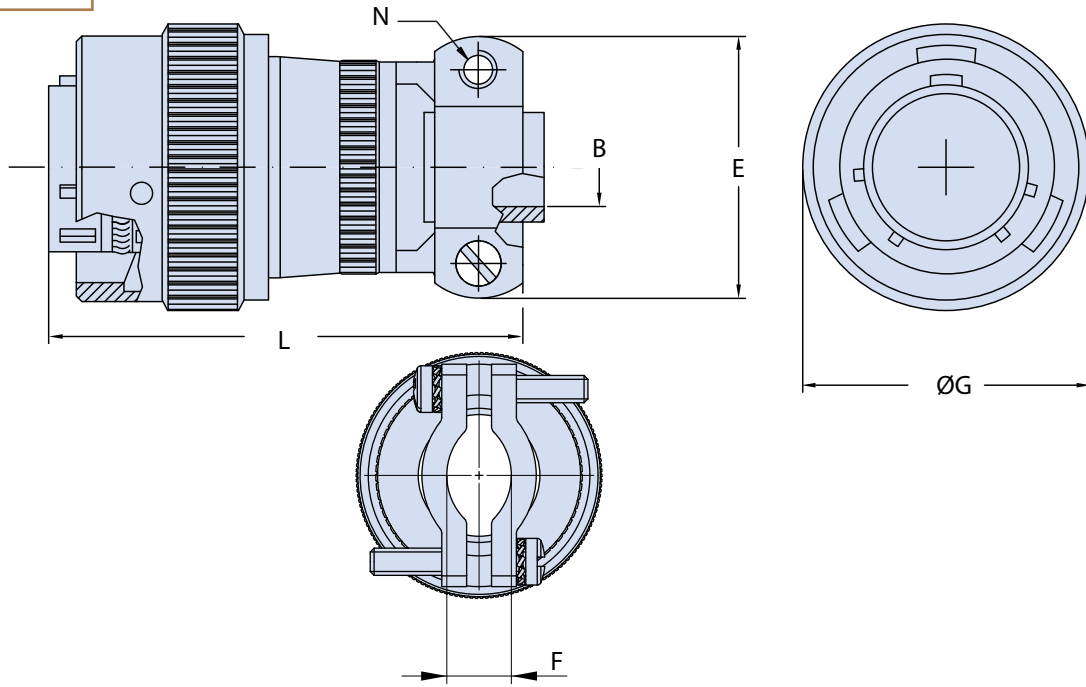
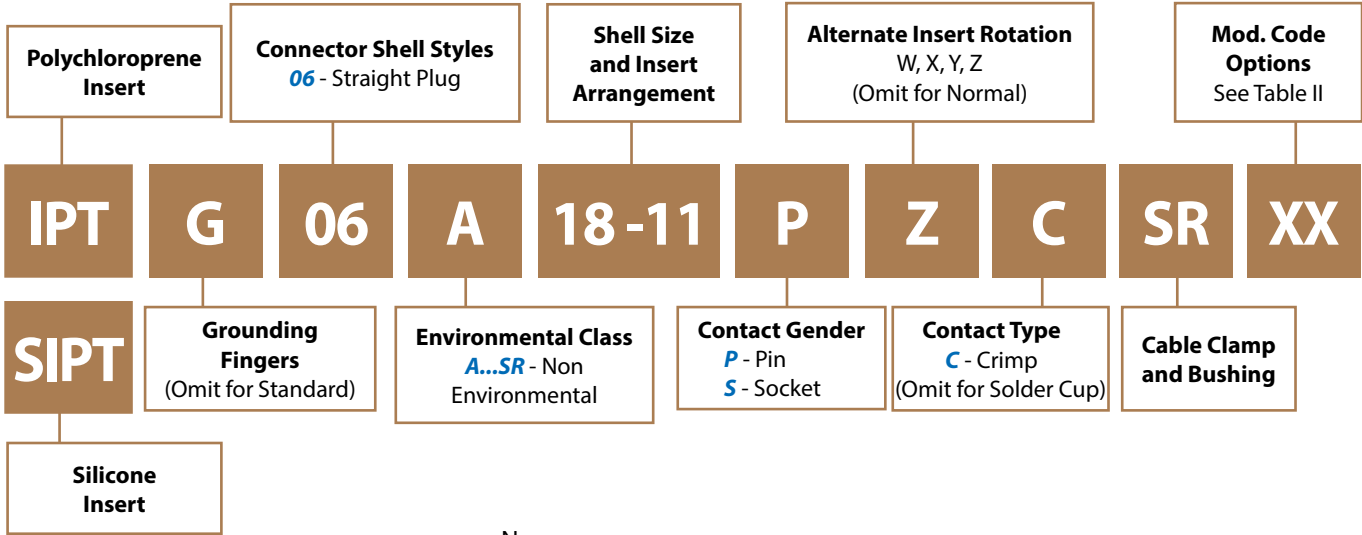


# IPT 06 A...SR

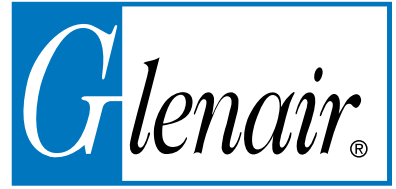
## Straight Plug Connector with Backshell, Cable Clamp and Bushing



### Application Notes

1. Straight plug with cable clamp and bushing.
2. Connector Class "A" (non-environmental)—no grommet supplied.
3. Standard materials configuration consists of aluminum alloy.
4. Standard contact material consists of copper alloy with gold plating over nickel.
5. A broad range of other front and rear connector accessories are available. See our website and/or contact factory for complete information.
6. Standard insert is high insulation synthetic rubber.

**IPT 06 A...SR**  
**Straight Plug Connector**  
 with Backshell, Cable Clamp and Bushing



**TABLE I: DIMENSIONS**

Shell size	B ±0.25	F (*) ±0.75	E ±0.2	ØG ±0.2	L Max.	N Thread
8	3.2	4	19.10	18.10	48.5	6 - 32
10	4.8	4	20.70	21.05	48.5	6 - 32
12	7.9	6,4	23.90	25.15	48.5	6 - 32
14	9.5	7,5	27.00	28.40	48.5	6 - 32
16	12.7	8,3	28.60	31.60	52.0	6 - 32
18	15.9	11,3	35.00	35.00	52.0	8 - 32
20	15.9	12,7	35.00	37.70	59.0	8 - 32
22	19.0	16,3	39.75	40.20	59.0	8 - 32
24	20.3	16,3	42.10	44.00	61.0	8 - 32

(\*) Cable clamp cleats fully closed.

**TABLE II: MODIFICATION CODES**

CONTACT OPTIONS	
Sym	Description
<b>B0</b>	Connector Without Contacts (Only for crimp version)
FINISH OPTIONS	
Sym	Description and RoHS compliant
<b>F6</b>	Black Electrodeposited Paint
<b>F7</b>	Black Zinc Nickel
<b>F11</b>	Electroless Nickel
<b>MB</b>	Marine Bronze
<b>Omit for standard version (Cadmium Olive Drab Finish)</b>	