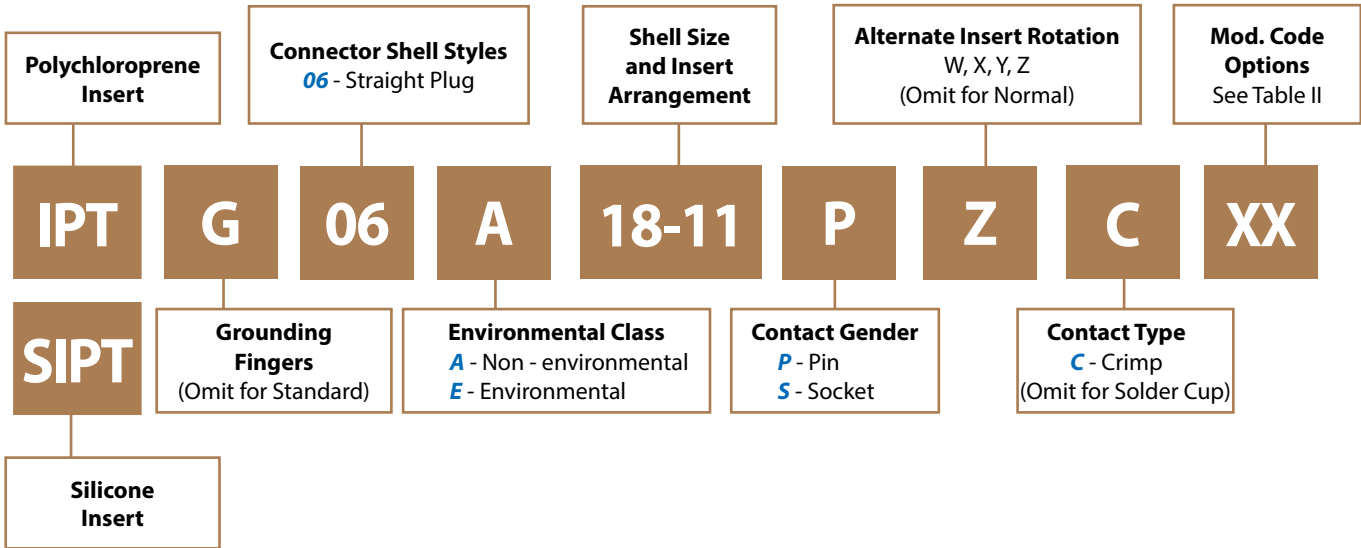


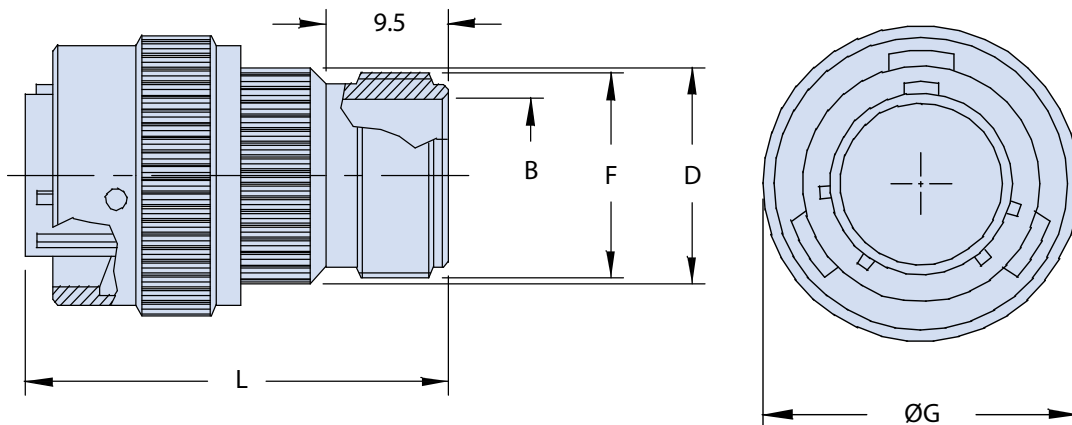


IPT 06 A

Straight Plug Connector with Backshell to Accommodate MS3057 Cable Clamp (Not Included)



C



- Application Notes**
1. Straight plug with backshell for attachment of cable clamp MS3057-A/B/C (not included).
 2. Connector Class "A" (non-environmental)--no grommet supplied.
 3. Connector Class "E" (environmental)--Wire sealing grommet supplied.
 4. Standard materials configuration consists of aluminum alloy.
 5. Standard contact material consists of copper alloy with gold plating over nickel.
 6. A broad range of other front and rear connector accessories are available. See our website and/or contact factory for complete information.
 7. Standard insert is high insulation synthetic rubber.

IPT 06 A
Straight Plug Connector
 with Backshell to Accommodate
 MS3057 Cable Clamp (Not Included)

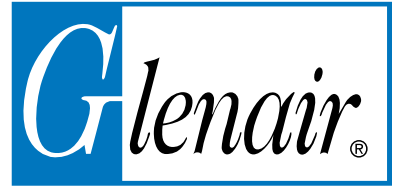


TABLE I: DIMENSIONS

Shell size	B min.	D Max.	F Thread in inches	ØG ±0.2	L Max.
8	6.6	15.00	.5000 - 28 UNEF	18.10	45.90
10	9.2	18.20	.6250 - 24 UNEF	21.05	45.90
12	12.2	21.20	.7500 - 20 UNEF	25.15	45.90
14	15.2	24.60	.8750 - 20 UNEF	28.40	45.90
16	18.3	27.60	1.0000 - 20 UNEF	31.60	45.90
18	20.0	30.90	1.1875 - 18 UNEF	35.00	45.90
20	23.0	33.80	1.1875 - 18 UNEF	37.70	50.00
22	26.0	37.10	1.4375 - 18 UNEF	40.20	50.00
24	28.8	40.25	1.4375 - 18 UNEF	44.00	50.00

TABLE II: MODIFICATION CODES

CONTACT OPTIONS	
Sym	Description
B0	Connector Without Contacts (Only for crimp version)
FINISH OPTIONS	
Sym	Description and RoHS compliant
F6	Black Electrodeposited Paint
F7	Black Zinc Nickel
F11	Electroless Nickel
MB	Marine Bronze
Omit for standard version (Cadmium Olive Drab Finish)	

