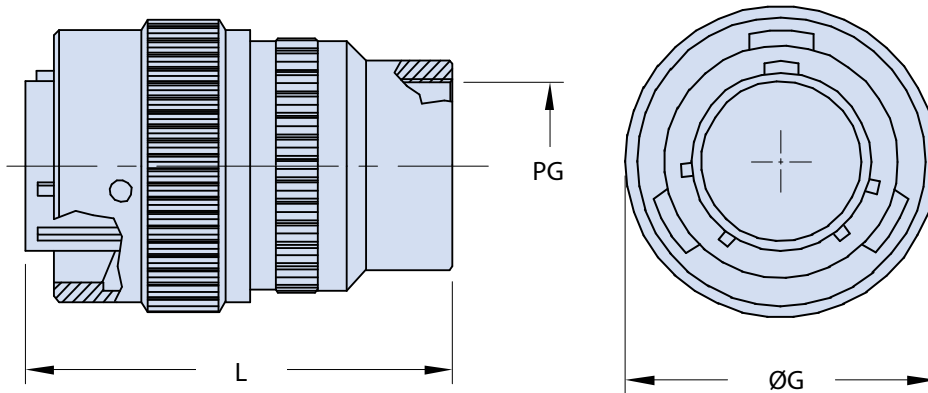
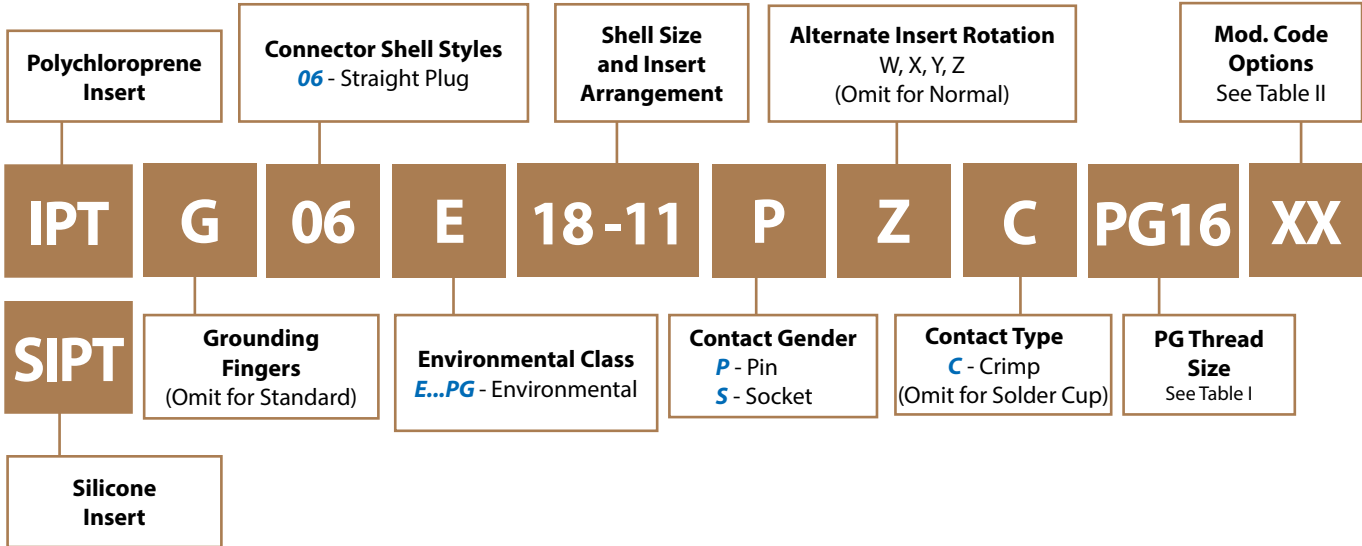




IPT 06 E...PG__ Straight Plug Connector with PG Threaded Backshell



Application Notes

1. Straight plug with backshell for use with PG glands (not included). Other PG sizes and types available upon request.
2. Connector Class "E" (environmental)—Wire sealing grommet supplied.
3. Standard materials configuration consists of aluminum alloy.
4. Standard contact material consists of copper alloy with gold plating over nickel.
5. A broad range of other front and rear connector accessories are available. See our website and/or contact factory for complete information.
6. Standard insert is high insulation synthetic rubber.

IPT 06 E...PG __
Straight Plug Connector
with PG Threaded Backshell

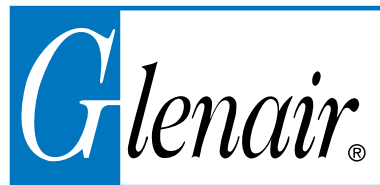


TABLE I: DIMENSIONS

Shell size	L Max	PG Thread	ØG ±0.2
8	41	7 / 9	18.10
10	41	9	21.05
12	51	11	25.15
14	51	11 / 13.5 / 16	28.40
16	56	11 / 13.5 / 16	31.60
18	56	13.5 / 16	35.00
20	57	13.5 / 16	37.70
22	62	13.5 / 16 / 21	40.20
24	64	13.5 / 16 / 21	44.00

TABLE II: MODIFICATION CODES

CONTACT OPTIONS	
Sym	Description
B0	Connector Without Contacts (Only for crimp version)
FINISH OPTIONS	
Sym	Description and RoHS compliant
F6	Black Electrodeposited Paint
F7	Black Zinc Nickel
F11	Electroless Nickel
MB	Marine Bronze
Omit for standard version (Cadmium Olive Drab Finish)	