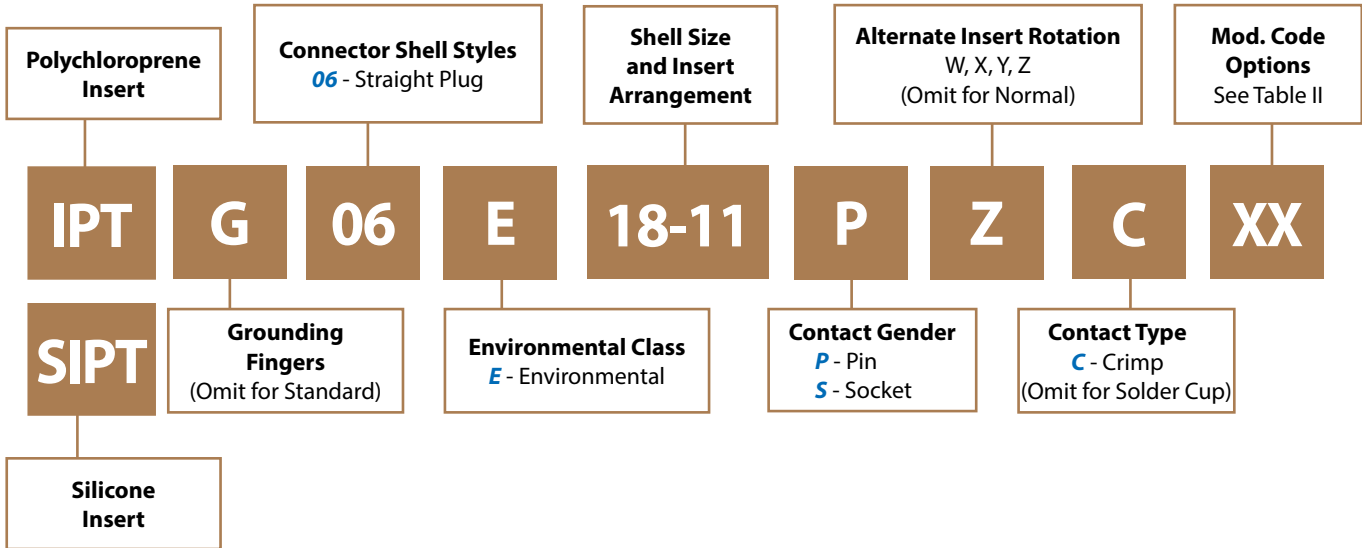
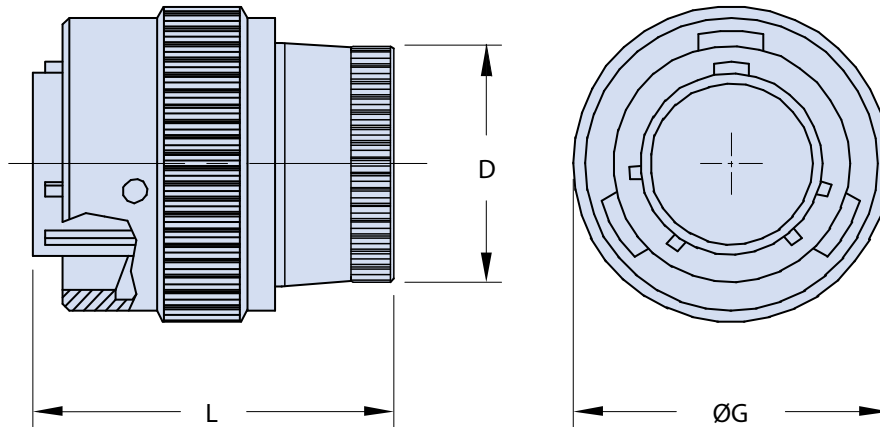




IPT 06 E Straight Plug Connector with General Duty Backshell



C



Application Notes

1. Straight plug with grommet and simple backshell for use with open wire bundles.
2. Connector Class "E" (environmental)—Wire sealing grommet supplied.
3. Standard materials configuration consists of aluminum alloy.
4. Standard contact material consists of copper alloy with gold plating over nickel.
5. A broad range of other front and rear connector accessories are available. See our website and/or contact factory for complete information.
6. Standard insert is high insulation synthetic rubber.

IPT 06 E
Straight Plug Connector
with General Duty Backshell



TABLE I: DIMENSIONS

Shell size	D Max.	ØG ±0.2	L Max.
8	14.20	18.10	32.15
10	17.40	21.05	32.15
12	20.65	25.15	32.15
14	23.60	28.40	32.15
16	26.85	31.60	32.15
18	29.85	35.00	32.15
20	33.00	37.70	36.50
22	36.30	40.20	36.50
24	39.50	44.00	38.10

TABLE II: MODIFICATION CODES

CONTACT OPTIONS	
Sym	Description
B0	Connector Without Contacts (Only for crimp version)
FINISH OPTIONS	
Sym	Description and RoHS compliant
F6	Black Electrodeposited Paint
F7	Black Zinc Nickel
F11	Electroless Nickel
MB	Marine Bronze
Omit for standard version (Cadmium Olive Drab Finish)	