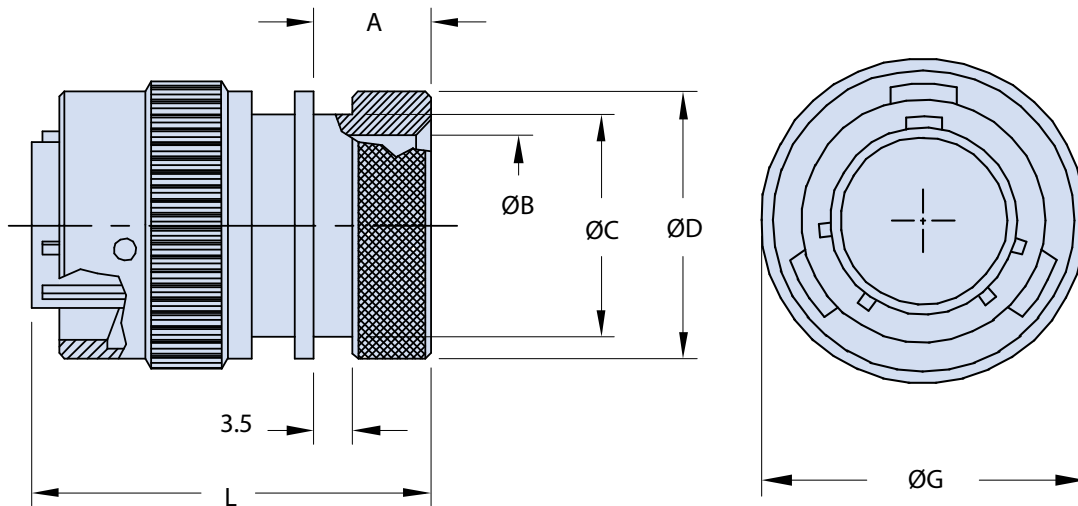
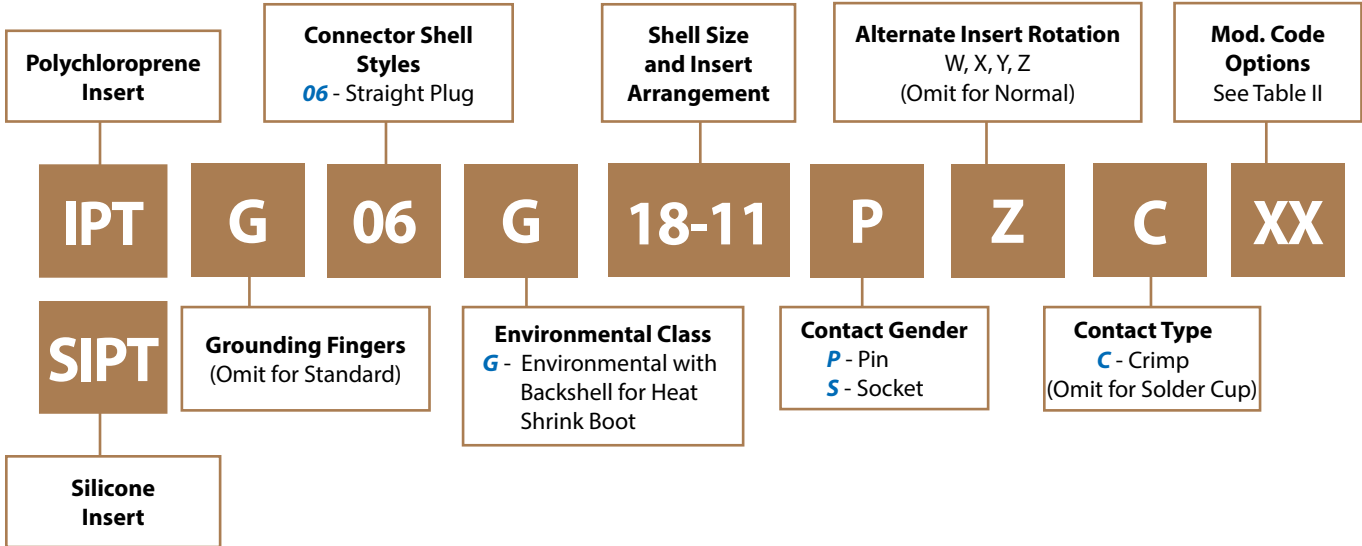




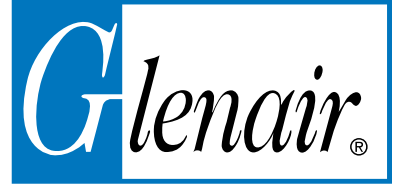
## IPT 06 G Straight Plug Connector with Backshell for Heat Shrink Boot



### Application Notes

1. Straight plug with backshell suitable for heat shrink boot; Environmental, connector includes wire sealing grommet.
2. Standard materials configuration consists of aluminum alloy.
3. Connector/Backshell Class "G" (environmental)--Wire sealing grommet supplied.
4. Standard contact material consists of copper alloy with gold plating over nickel.
5. A broad range of other front and rear connector accessories are available. See our website and/or contact factory for complete information.
6. Standard insert is high insulation synthetic rubber.

**IPT 06 G**  
**Straight Plug Connector**  
**with Backshell for Heat Shrink Boot**



**TABLE I: DIMENSIONS**

Shell size	A ±0,1	ØB +0.1 -0	ØC +0 -0.1	ØD +0 -0.3	L Max.	ØG ±0.2
8	12.2	8.20	13.0	15.5	43.5	18.10
10	12.2	11.40	15.8	18.3	42.0	21.05
12	12.2	14.55	21.0	23.6	42.0	25.15
14	12.2	17.50	21.8	24.4	42.0	28.40
16	14.5	20.60	25.9	29.7	44.0	31.60
18	14.5	23.15	28.2	31.9	44.5	35.00
20	15.8	26.50	32.2	36.0	47.0	37.70
22	15.8	29.60	34.5	38.4	47.0	40.20
24	14.9	32.80	37.6	41.5	47.0	44.00

**TABLE II: MODIFICATION CODES**

CONTACT OPTIONS	
Sym	Description
<b>B0</b>	Connector Without Contacts (Only for crimp version)
FINISH OPTIONS	
Sym	Description and RoHS compliant
<b>F6</b>	Black Electrodeposited Paint
<b>F7</b>	Black Zinc Nickel
<b>F11</b>	Electroless Nickel
<b>MB</b>	Marine Bronze
<b>Omit for standard version (Cadmium Olive Drab Finish)</b>	

