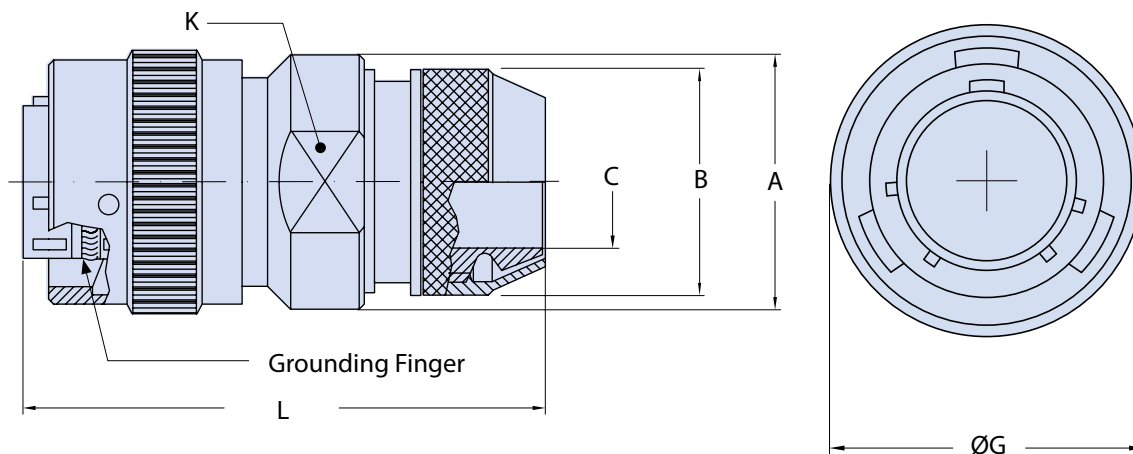
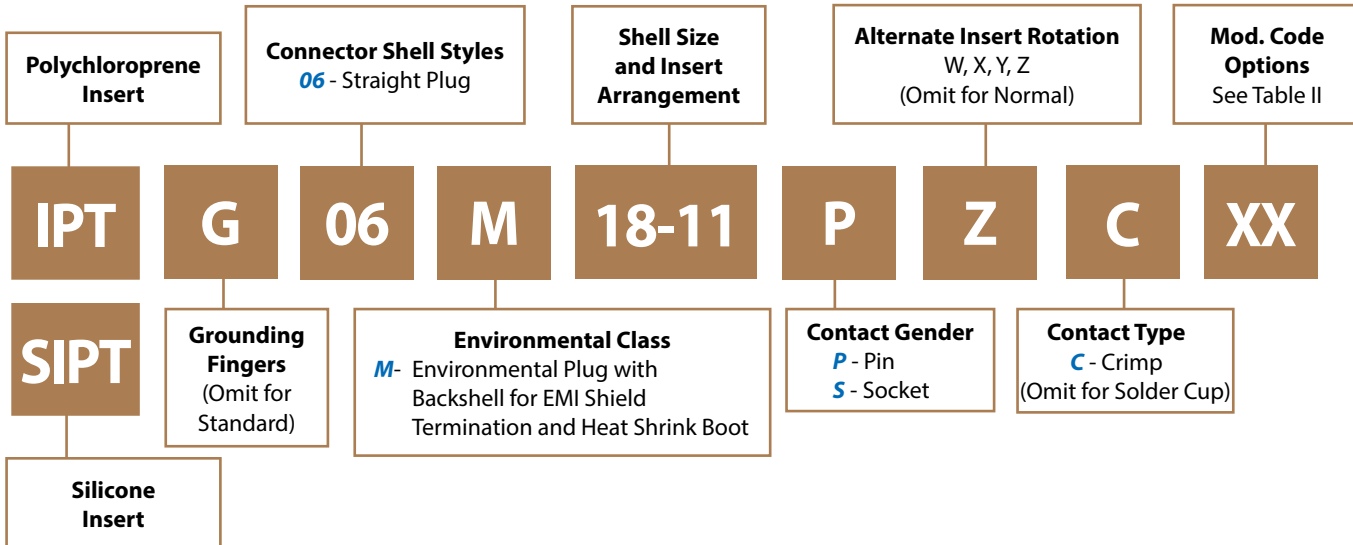




**IPT 06 M**  
**Straight Plug Connector**  
with Backshell Suitable for  
EMI Shield Termination and Heat Shrink Boot



**Application Notes**

1. Straight plug with backshell for heat shrink boot, and/or terminating EMI shielded cable.
2. Standard materials configuration consists of aluminum alloy.
3. Connector/Backshell Class "M" (environmental)--Wire sealing grommet supplied.
4. Standard contact material consists of copper alloy with gold plating over nickel.
5. A broad range of other front and rear connector accessories are available. See our website and/or contact factory for complete information.
6. Standard insert is high insulation synthetic rubber.

**IPT 06 M**  
**Straight Plug Connector**  
with Backshell Suitable for  
EMI Shield Termination and Heat Shrink Boot



**TABLE I: DIMENSIONS**

Shell size	A Max.	B +0.5 -0	C min.	K Key	L Max	ØG ±0.2
8	20	16	6.6	18	55	18.10
10	23	18	9.2	21	55	21.05
12	27	22	12.2	24	55	25.15
14	30	25	15.2	28	56	28.40
16	33	28	18.3	31	56	31.60
18	36	32	20.0	34	56	35.00
20	40	34	23.0	37	60	37.70
22	43	38	26.0	41	60	40.20
24	46	41	28.8	44	62	44.00

**TABLE II: MODIFICATION CODES**

CONTACT OPTIONS	
Sym	Description
<b>B0</b>	Connector Without Contacts (Only for crimp version)
FINISH OPTIONS	
Sym	Description and RoHS compliant
<b>F7</b>	Black Zinc Nickel
<b>F11</b>	Electroless Nickel
<b>MB</b>	Marine Bronze
<b>Omit for standard version (Cadmium Olive Drab Finish)</b>	

