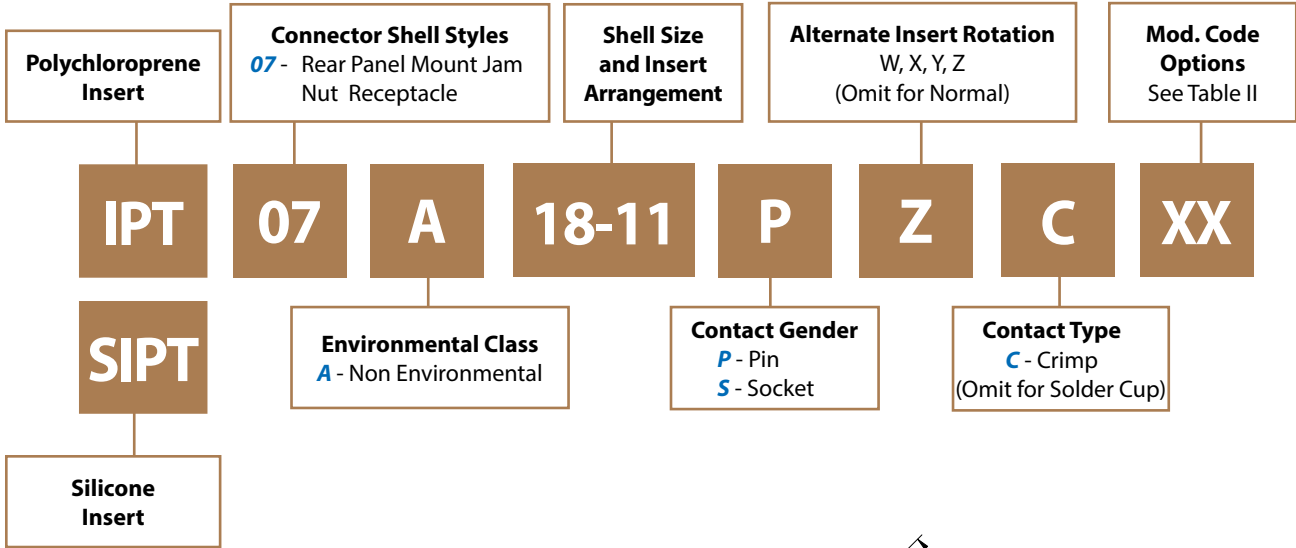
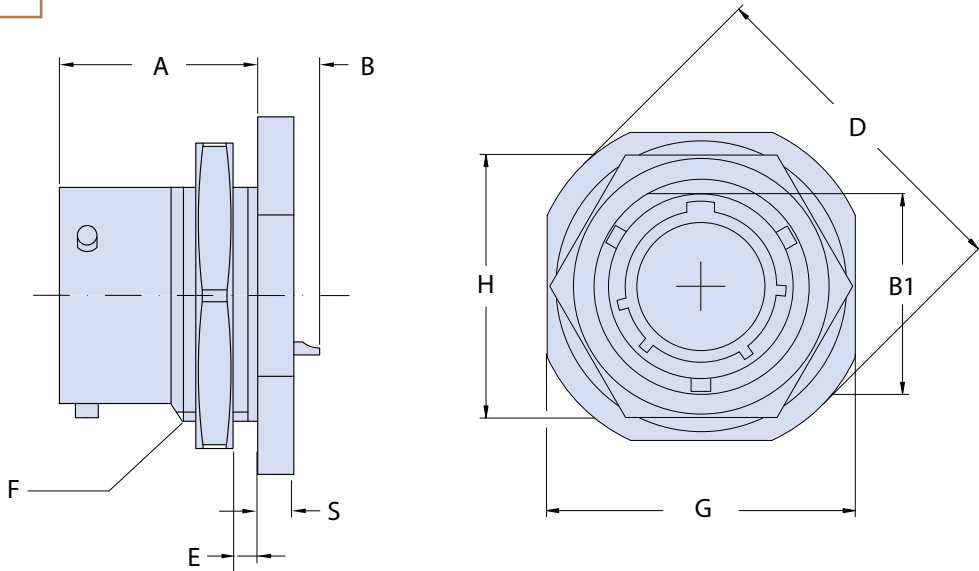


IPT 07 A Rear Box Mount Jam Nut Receptacle Connector



C



Application Notes

1. Real box mount jam nut receptacle; No accessory threads.
2. Connector Class "A" (non-environmental).
3. Standard materials configuration consists of aluminum alloy with stainless steel coupling pins.
4. Standard contact material consists of copper alloy with gold plating over nickel.
5. Standard insert is high insulation synthetic rubber.

IPT 07 A
Rear Box Mount Jam Nut
Receptacle Connector

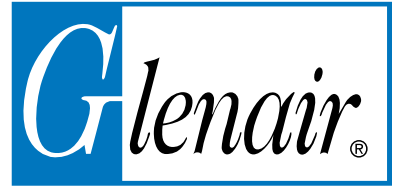


TABLE I: DIMENSIONS

Shell size	A ±0.4	B ±1	B1 +0 -0.25	D +0 -0.8	E min.	E Max.	F Thread in inches	G Max.	H ±0.43	S ±0.5
8	17.70	4.8	13.46	27.3	1.6	3.2	.5625 - 24 UNEF	24.3	19.05	3.0
10	17.70	4.8	16.46	30.5	1.6	3.2	.6875 - 24 UNEF	27.4	22.23	3.0
12	17.70	4.8	20.78	35.3	1.6	3.2	.8750 - 20 UNEF	32.2	26.97	3.0
14	17.70	4.8	23.93	38.5	1.6	3.2	1.0000 - 20 UNEF	35.4	30.18	3.0
16	17.70	4.8	27.08	41.6	1.6	3.2	1.1250 - 18 UNEF	38.6	33.32	3.0
18	17.70	4.8	30.25	44.8	1.6	3.2	1.2500 - 18 UNEF	41.7	36.53	3.0
20	22.45	5.6	33.43	49.6	1.6	6.3	1.3750 - 18 UNEF	46.5	39.67	3.8
22	22.45	5.6	36.60	52.7	1.6	6.3	1.5000 - 18 UNEF	49.7	42.88	3.8
24	23.30	4.8	39.78	55.9	1.6	6.3	1.6250 - 18 UNEF	52.8	46.02	3.8

TABLE II: MODIFICATION CODES

CONTACT OPTIONS	
Sym	Description
B0	Connector Without Contacts (Only for crimp version)
FINISH OPTIONS	
Sym	Description and RoHS compliant
F6	Black Electrodeposited Paint
F7	Black Zinc Nickel
F11	Electroless Nickel
MB	Marine Bronze
Omit for standard version (Cadmium Olive Drab Finish)	