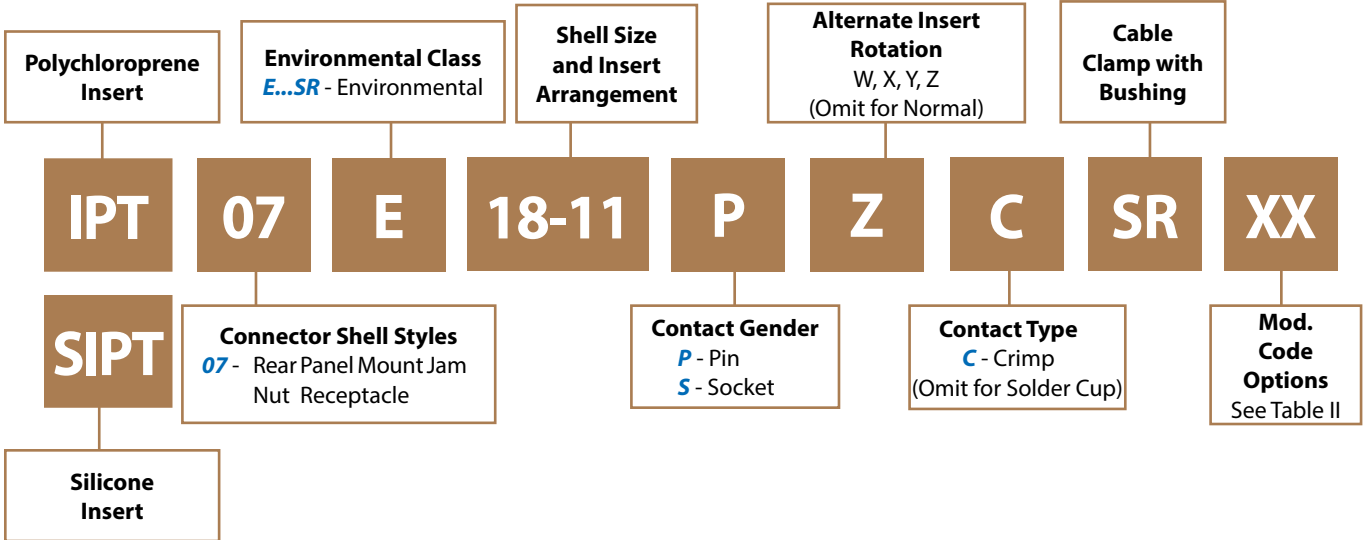


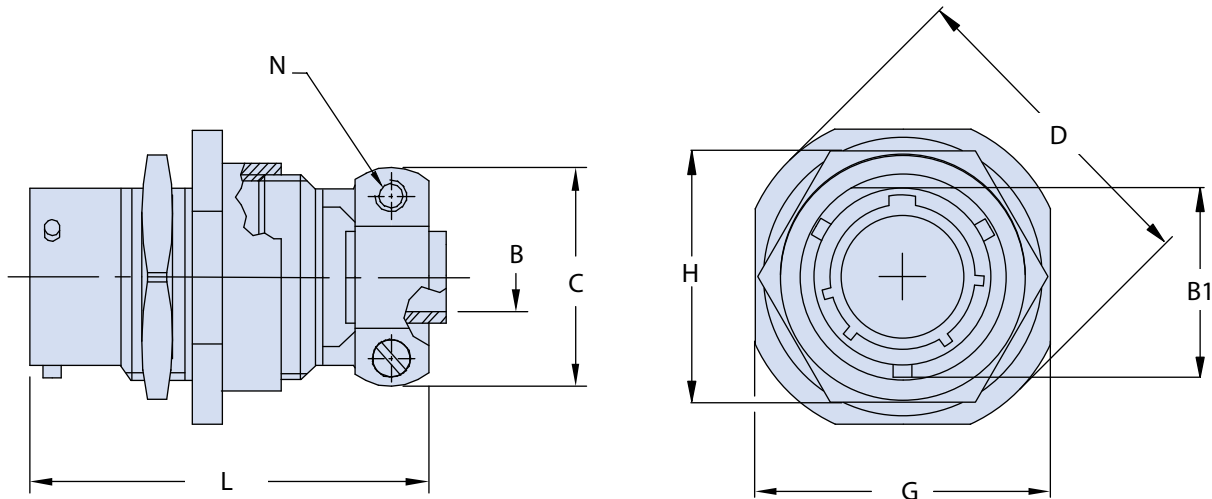


# IPT 07 E...SR

## Rear Panel Mount Jam Nut Receptacle Connector and Backshell with Cable Clamp and Bushing



C



- ### Application Notes
1. Rear panel mount jam nut receptacle connector with backshell cable clamp and bushing for cable protection.
  2. Connector Class "E" (environmental)—Wire sealing grommet supplied.
  3. Standard materials configuration consists of aluminum alloy with stainless steel coupling pins.
  4. Standard contact material consists of copper alloy with gold plating over nickel.
  5. A broad range of other front and rear connector accessories are available. See our website and/or contact factory for complete information.
  6. Standard insert is high insulation synthetic rubber.

**IPT 07 E...SR**  
**Rear Panel Mount Jam Nut**  
**Receptacle Connector and Backshell**  
**with Cable Clamp and Bushing**



**TABLE I: DIMENSIONS**

| Shell size | B<br>±0.25 | B1<br>+0<br>-0.25 | C<br>±0.2 | D<br>+0<br>-0.8 | G<br>±0.4 | H<br>±0.4 | L<br>Max | N<br>Thread |
|------------|------------|-------------------|-----------|-----------------|-----------|-----------|----------|-------------|
| 8          | 3.2        | 13.46             | 19.10     | 27.3            | 23.8      | 19        | 55       | 6 - 32      |
| 10         | 4.8        | 16.46             | 20.70     | 30.5            | 27.0      | 22        | 58       | 6 - 32      |
| 12         | 7.9        | 20.78             | 23.90     | 35.3            | 31.7      | 27        | 58       | 6 - 32      |
| 14         | 9.5        | 23.93             | 27.00     | 38.5            | 34.9      | 30        | 58       | 6 - 32      |
| 16         | 12.7       | 27.08             | 28.60     | 41.6            | 38.1      | 33        | 58       | 6 - 32      |
| 18         | 15.9       | 30.25             | 35.00     | 44.8            | 41.3      | 36        | 63       | 8 - 32      |
| 20         | 15.9       | 33.43             | 35.00     | 49.6            | 46.0      | 40        | 65       | 8 - 32      |
| 22         | 19.0       | 36.60             | 39.75     | 52.7            | 49.2      | 43        | 65       | 8 - 32      |
| 24         | 20.3       | 39.78             | 42.10     | 55.9            | 52.4      | 46        | 65       | 8 - 32      |

**TABLE II: MODIFICATION CODES**

| CONTACT OPTIONS  |  |
|--|--|
| Sym  | Description  |
| <b>B0</b>  | Connector Without Contacts<br>(Only for crimp version) |
| FINISH OPTIONS   |  |
| Sym  | Description and RoHS compliant                         |
| <b>F6</b>  | Black Electrodeposited Paint                           |
| <b>F7</b>  | Black Zinc Nickel                                      |
| <b>F11</b>   | Electroless Nickel                                     |
| <b>MB</b>  | Marine Bronze  |
| <b>Omit for standard version<br/>(Cadmium Olive Drab Finish)</b> |  |