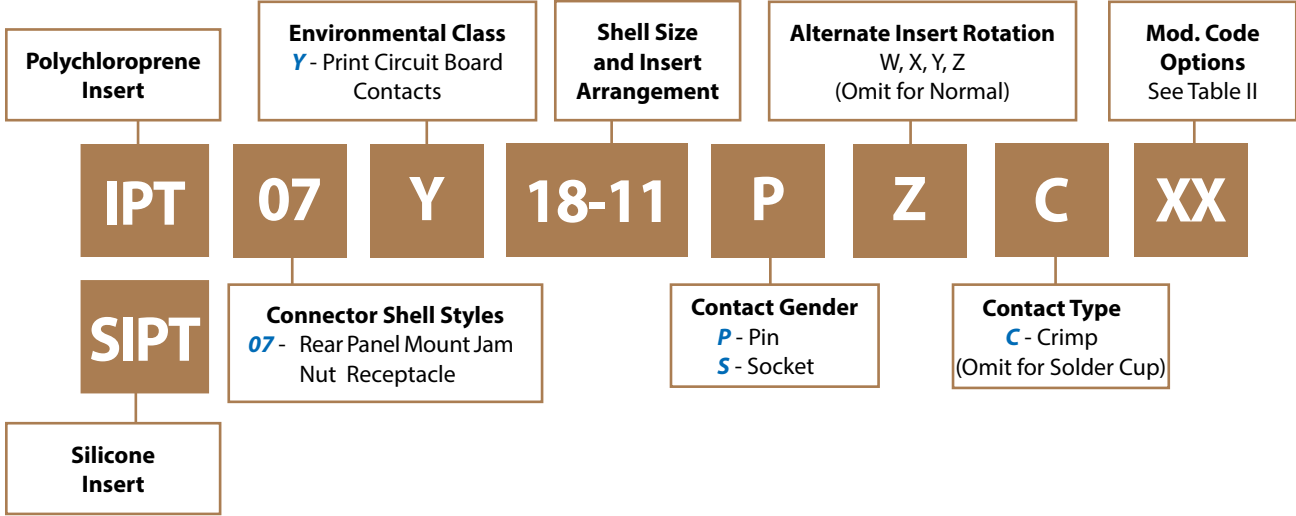
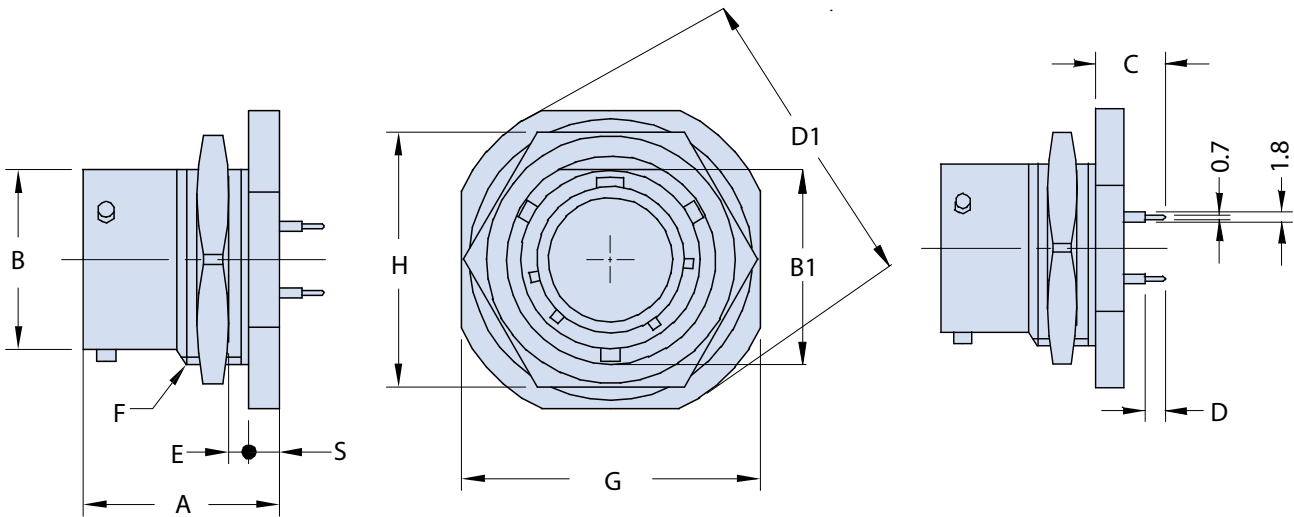




# IPT 07 Y Rear Box Mount Jam Nut Receptacle with Printed Circuit Board Contacts



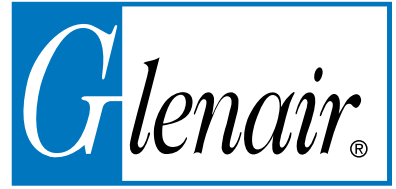
C



### Application Notes

1. Rear box mount jam nut receptacle connector with printed circuit board contacts.
2. Connector Style "Y" — Includes PCB tails. Contact factory for custom tail lengths.
3. Standard materials configuration consists of aluminum alloy with stainless steel coupling pins.
4. Standard contact material consists of copper alloy with gold plating over nickel.
5. Standard insert is high insulation synthetic rubber.

**IPT 07 Y**  
**Rear Box Mount Jam Nut Receptacle**  
**with Printed Circuit Board Contacts**



**TABLE I: DIMENSIONS**

| Shell size | A<br>±0.2 | B<br>+0<br>-0.1 | B1<br>+0<br>-0.25 | D1<br>+0<br>-0.8 | E<br>min. | E<br>Max. | F<br>Thread in inches | G<br>±0.4 | H<br>±0.4 | S<br>±0.4 |
|------------|-----------|-----------------|-------------------|------------------|-----------|-----------|-----------------------|-----------|-----------|-----------|
| 8          | 20.85     | 12.01           | 13.46             | 27.3             | 1.6       | 3.2       | .5625 - 24 UNEF       | 23.8      | 19        | 3.2       |
| 10         | 20.85     | 14.98           | 16.46             | 30.5             | 1.6       | 3.2       | .6875 - 24 UNEF       | 27.0      | 22        | 3.2       |
| 12         | 20.85     | 19.05           | 20.78             | 35.3             | 1.6       | 3.2       | .8750 - 20 UNEF       | 31.7      | 27        | 3.2       |
| 14         | 20.85     | 22.22           | 23.93             | 38.5             | 1.6       | 3.2       | 1.0000 - 20 UNEF      | 34.9      | 30        | 3.2       |
| 16         | 20.85     | 25.40           | 27.08             | 41.6             | 1.6       | 3.2       | 1.1250 - 18 UNEF      | 38.1      | 33        | 3.2       |
| 18         | 20.85     | 28.57           | 30.25             | 44.8             | 1.6       | 3.2       | 1.2500 - 18 UNEF      | 41.3      | 36        | 3.2       |
| 20         | 26.40     | 31.75           | 33.43             | 49.6             | 1.6       | 6.3       | 1.3750 - 18 UNEF      | 46.0      | 40        | 4.0       |
| 22         | 26.40     | 34.92           | 36.60             | 52.7             | 1.6       | 6.3       | 1.5000 - 18 UNEF      | 49.2      | 43        | 4.0       |
| 24         | 26.40     | 38.10           | 39.78             | 55.9             | 1.6       | 6.3       | 1.6250 - 18 UNEF      | 52.4      | 46        | 4.0       |

**TABLE I: DIMENSIONS (CONTINUED FROM ABOVE)**

| Shell size | Y    |      | Y1   |      | Y2    |      | YS   |      | YL   |      | YM    |      | YK   |      |
|------------|------|------|------|------|-------|------|------|------|------|------|-------|------|------|------|
|            | C    | D    | C    | D    | C     | D    | C    | D    | C    | D    | C     | D    | C    | D    |
|            | ±0.4 | ±0.2 | ±0.4 | ±0.2 | ±0.4  | ±0.2 | ±0.4 | ±0.2 | ±0.4 | ±0.2 | ±0.4  | ±0.2 | ±0.4 | ±0.2 |
| 8          | 9.9  | 3.6  | 8.9  | 3.2  | 9.4   | 4.8  | 7.8  | 3.2  | 12.5 | 6.0  | 14.0  | 7.2  | 12.1 | 7.1  |
| 10         | 9.9  | 3.6  | 8.9  | 3.2  | 9.4   | 4.8  | 7.8  | 3.2  | 12.5 | 6.0  | 14.0  | 7.2  | 12.1 | 7.1  |
| 12         | 9.9  | 3.6  | 8.9  | 3.2  | 9.4   | 4.8  | 7.8  | 3.2  | 12.5 | 6.0  | 14.0  | 7.2  | 12.1 | 7.1  |
| 14         | 9.9  | 3.6  | 8.9  | 3.2  | 9.4   | 4.8  | 7.8  | 3.2  | 12.5 | 6.0  | 14.0  | 7.2  | 12.1 | 7.1  |
| 16         | 9.9  | 3.6  | 8.9  | 3.2  | 9.4   | 4.8  | 7.8  | 3.2  | 12.5 | 6.0  | 14.0  | 7.2  | 12.1 | 7.1  |
| 18         | 9.9  | 3.6  | 8.9  | 3.2  | 9.4   | 4.8  | 7.8  | 3.2  | 12.5 | 6.0  | 14.0  | 7.2  | 12.1 | 7.1  |
| 20         | 9.6  | 3.6  | 8.7  | 3.2  | 11.35 | 4.8  | 9.3  | 3.2  | 11.1 | 6.0  | 14.65 | 7.2  | 11.9 | 7.1  |
| 22         | 9.6  | 3.6  | 8.7  | 3.2  | 11.35 | 4.8  | 9.3  | 3.2  | 11.1 | 6.0  | 14.65 | 7.2  | 11.9 | 7.1  |
| 24         | 8.8  | 3.6  | 8.5  | 3.2  | 11.00 | 4.8  | 8.5  | 3.2  | 10.3 | 6.0  | 14.3  | 7.2  | 11.2 | 7.1  |

**TABLE II: MODIFICATION CODES**

| FINISH OPTIONS   |                                |
|--|--------------------------------|
| Sym  | Description and RoHS compliant |
| <b>F6</b>  | Black Electrodeposited Paint   |
| <b>F7</b>  | Black Zinc Nickel              |
| <b>F11</b>   | Electroless Nickel             |
| <b>MB</b>  | Marine Bronze                  |
| <b>Omit for standard version<br/>(Cadmium Olive Drab Finish)</b> |                                |