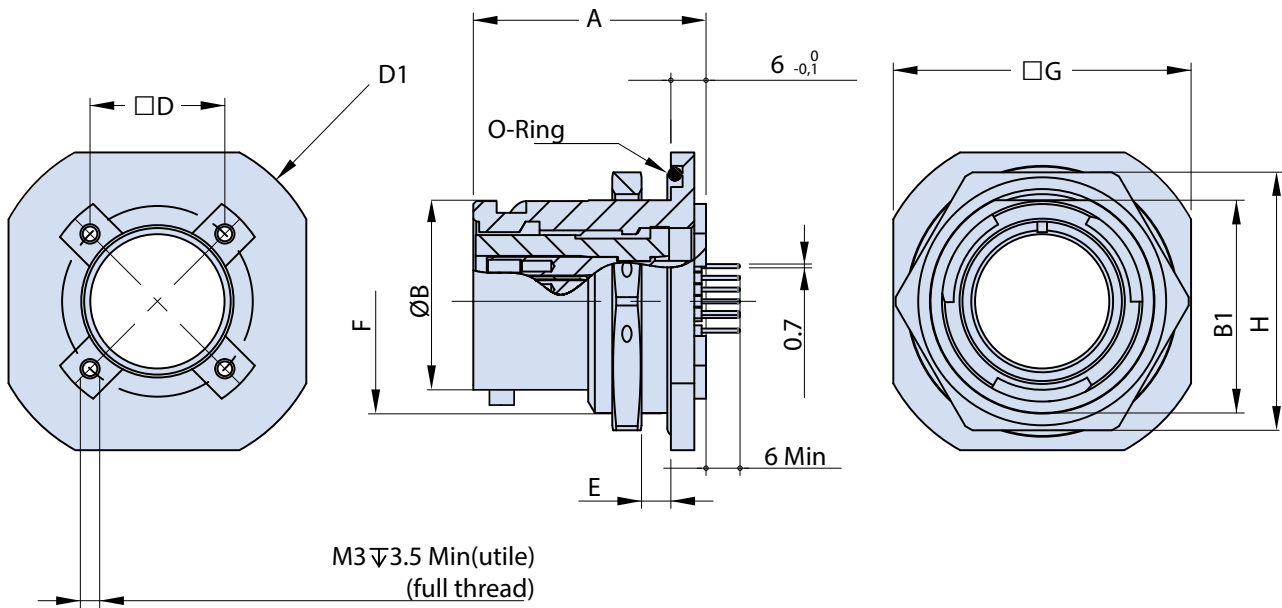
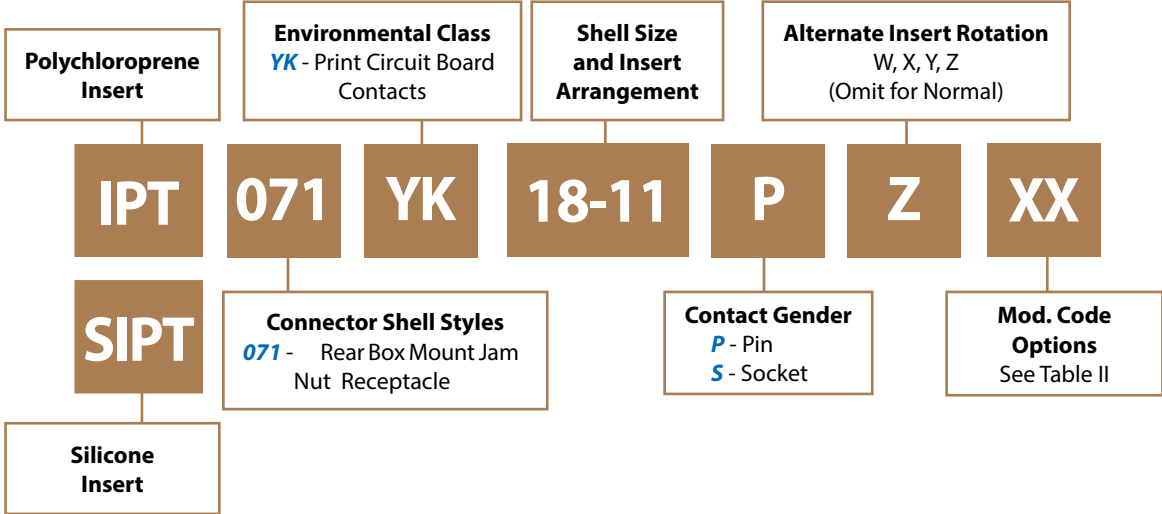




IPT 071 YK Rear Box Mount Jam Nut Receptacle with Standoff and Printed Circuit Board Contacts



Application Notes

1. Rear box mount jam nut receptacle connector with standoff and printed circuit board contacts.
2. Connector Style "YK" — Includes PCB tails.
3. Standard materials configuration consists of aluminum alloy with stainless steel coupling pins.
4. Standard contact material consists of copper alloy with gold plating over nickel.
5. Standard insert is high insulation synthetic rubber.

IPT 071 YK
Rear Box Mount Jam Nut Receptacle
with Standoff and Printed Circuit Board Contacts

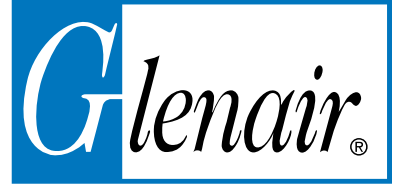


TABLE I: DIMENSIONS

| Shell size | A ±0.2 | B +0 -0.1 | F Thread in inches | D ±0.2 | E min. | E Max. | G ±0.4 | B1 +0 -0.25 | D1 +0 -0.8 | H ±0.4 |
|------------|-----------|-----------------|-----------------------|-----------|-----------|-----------|-----------|-------------------|------------------|-----------|
| 10 | 23.7 | 14.98 | .6875 - 24 UNEF | 11.5 | 1.6 | 3.2 | 27.0 | 16.46 | 30.5 | 22 |
| 12 | 23.7 | 19.05 | .8750 - 20 UNEF | 14.0 | 1.6 | 3.2 | 31.7 | 20.78 | 35.3 | 27 |
| 14 | 23.7 | 22.22 | 1.0000 - 20 UNEF | 16.3 | 1.6 | 3.2 | 34.9 | 23.93 | 38.5 | 30 |
| 16 | 23.7 | 25.40 | 1.1250 - 18 UNEF | 18.7 | 1.6 | 3.2 | 38.1 | 27.08 | 41.6 | 33 |
| 18 | 23.7 | 28.57 | 1.2500 - 18 UNEF | 21.0 | 1.6 | 3.2 | 41.3 | 30.25 | 44.8 | 36 |
| 20 | 28.4 | 31.75 | 1.3750 - 18 UNEF | 23.0 | 1.6 | 6.3 | 46.0 | 33.43 | 49.6 | 40 |
| 22 | 28.7 | 34.92 | 1.5000 - 18 UNEF | 25.0 | 1.6 | 6.3 | 49.2 | 36.60 | 52.7 | 43 |
| 24 | 29.3 | 38.10 | 1.6250 - 18 UNEF | 27.0 | 1.6 | 6.3 | 52.4 | 39.78 | 55.9 | 46 |

TABLE II: MODIFICATION CODES

| FINISH OPTIONS | |
|--|--------------------------------|
| Sym | Description and RoHS compliant |
| F6 | Black Electrodeposited Paint |
| F7 | Black Zinc Nickel |
| F11 | Electroless Nickel |
| MB | Marine Bronze |
| Omit for standard version (Cadmium Olive Drab Finish) | |

