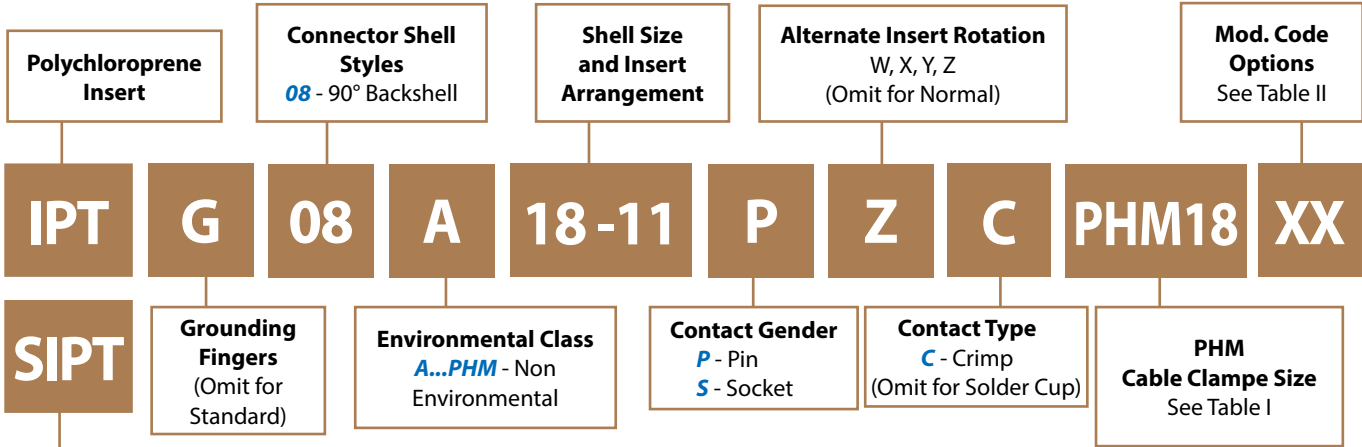
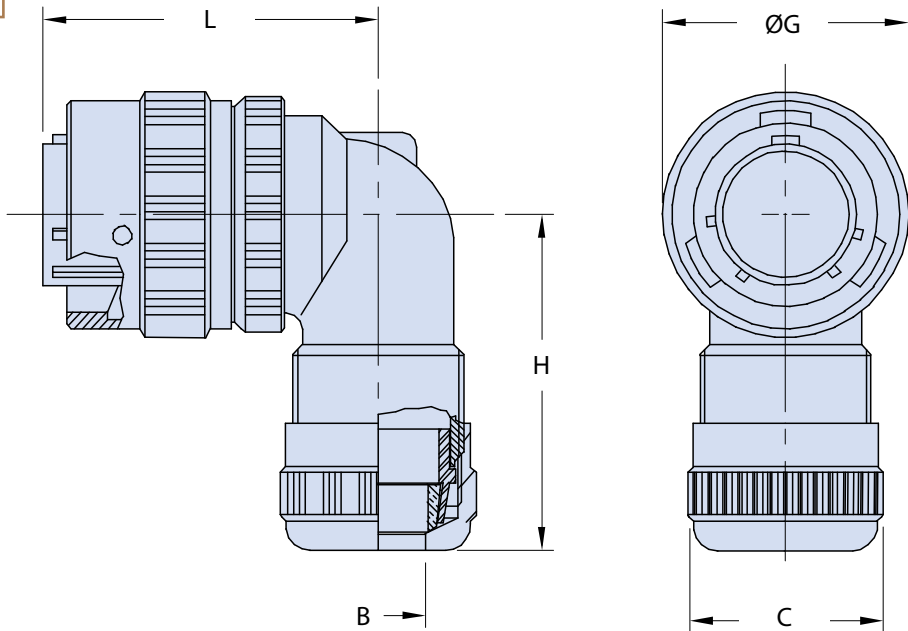




IPT 08 A...PHM__
Plug Connector with 90° PHM Backshell
and Sleeves to Accommodate Various Cable Sizes



Silicone Insert



Application Notes

1. Plug with 90° backshell and PHM cable clamp. The PHM cable clamp assures excellent mechanical strength and splash proof sealing (if used with the correct neoprene sealing sleeves).
2. Connector Class "A" (non-environmental)—no grommet supplied.
3. Standard materials configuration consists of aluminum alloy.
4. Standard contact material consists of copper alloy with gold plating over nickel.
5. A broad range of other front and rear connector accessories are available. See our website and/or contact factory for complete information.
6. Standard insert is high insulation synthetic rubber.

IPT 08 A...PHM__
Plug Connector with 90° PHM Backshell
and Sleeves to Accommodate Various Cable Sizes

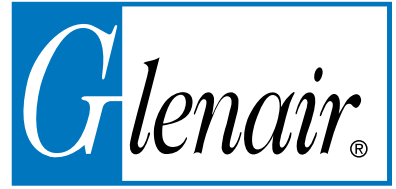


TABLE I: DIMENSIONS

Shell size	PHM Cable Clamp Size	B min. - Max.	C Max.	ØG ±0.2	H Max.	L Max.
8	7	2 - 7	15.2	18.10	38.0	36.0
10	9	2 - 9	21.5	21.05	45.0	36.0
12	11	2 - 11	23.5	25.15	43.5	38.0
14	11	2 - 11	25.5	28.40	44.5	41.5
16	11	2 - 11	28.5	31.60	49.0	43.0
18	11 / 18	2 - 11 / 9 - 16.5	34.0	35.00	54.0	48.0
20	18	9 - 16.5	34.0	37.70	54.0	52.0
22	18	9 - 16.5	40.5	40.20	60.0	56.0
24	18 / 22 / 24	9 - 16.5 / 15 - 20 / 19 - 24	40.5	44.00	61.0	57.0

TABLE II: MODIFICATION CODES

CONTACT OPTIONS	
Sym	Description
B0	Connector Without Contacts (Only for crimp version)
FINISH OPTIONS	
Sym	Description and RoHS compliant
F6	Black Electrodeposited Paint
F7	Black Zinc Nickel
F11	Electroless Nickel
MB	Marine Bronze
Omit for standard version (Cadmium Olive Drab Finish)	

