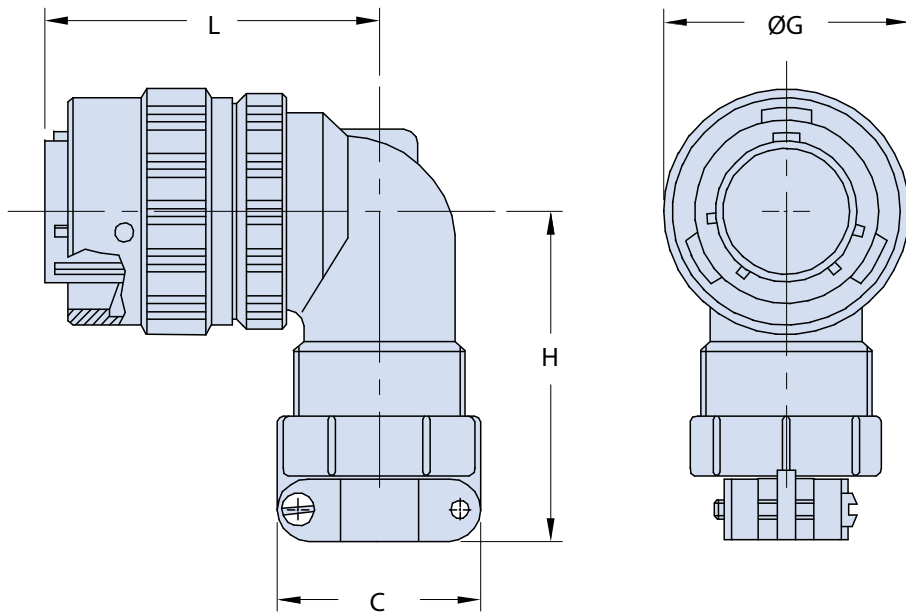
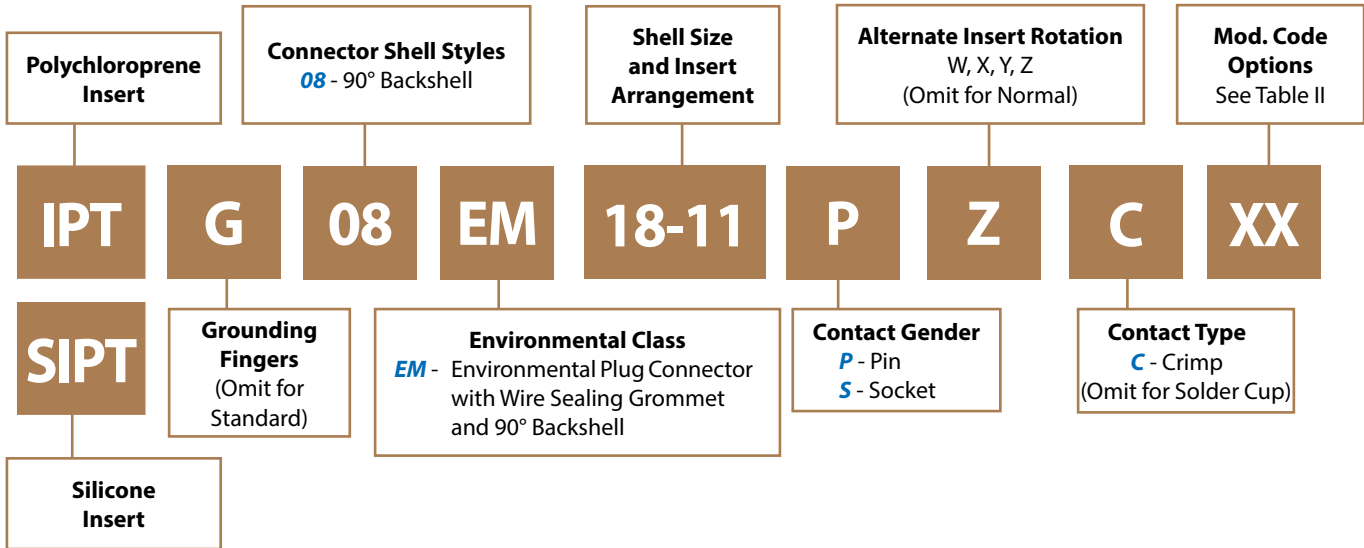




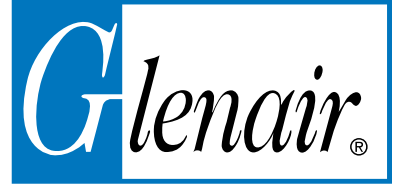
**IPT 08 EM**  
**Plug Connector**  
with 90° Backshell with MS3057-A Cable Clamp



**Application Notes**

1. Plug with 90° backshell, sealing grommet and 90° Backshell suitable for MS3057-A cable clamp.
2. Connector/Backshell Class "EM" (environmental)—Wire sealing grommet supplied.
3. Standard materials configuration consists of aluminum alloy.
4. Standard contact material consists of copper alloy with gold plating over nickel.
5. A broad range of other front and rear connector accessories are available. See our website and/or contact factory for complete information.
6. Standard insert is high insulation synthetic rubber.

**IPT 08 EM**  
**Plug Connector**  
 with 90° Backshell with MS3057-A Cable Clamp



**TABLE I: DIMENSIONS**

Shell size	C Max.	ØG ±0.2	H Max.	L Max.
8	21.2	18.10	31.5	36.0
10	25.5	21.05	37.5	36.0
12	27.5	25.15	40.0	38.0
14	28.5	28.40	43.0	41.5
16	33.0	31.60	46.0	43.0
18	35.5	35.00	48.0	48.0
20	35.5	37.70	48.0	52.0
22	44.0	40.20	53.5	56.0
24	44.0	44.00	53.5	57.0

**TABLE II: MODIFICATION CODES**

CONTACT OPTIONS	
Sym	Description
<b>B0</b>	Connector Without Contacts (Only for crimp version)
FINISH OPTIONS	
Sym	Description and RoHS compliant
<b>F6</b>	Black Electrodeposited Paint
<b>F7</b>	Black Zinc Nickel
<b>F11</b>	Electroless Nickel
<b>MB</b>	Marine Bronze
<b>Omit for standard version (Cadmium Olive Drab Finish)</b>	