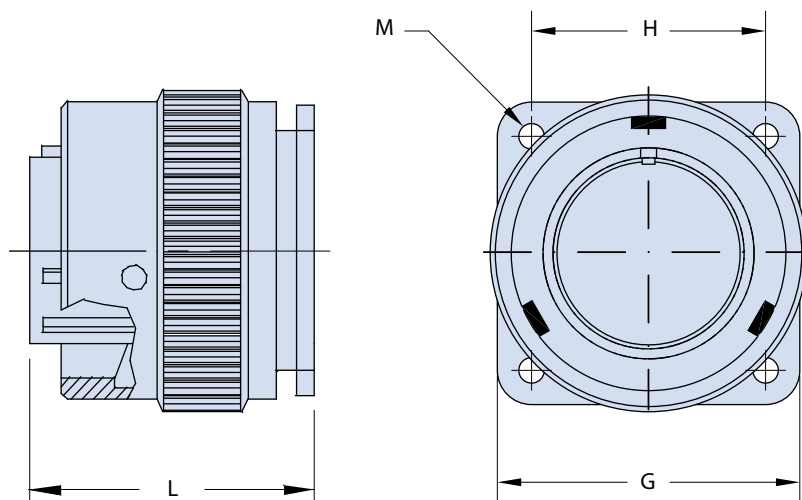


C



Application Notes

1. Square flange box mount plug connector to be mated with In-line receptacles (IPT01).
2. Connector Class "A" (non-environmental)—no grommet supplied.
3. Standard materials configuration consists of aluminum alloy.
4. Standard contact material consists of copper alloy with gold plating over nickel.
5. Standard insert is high insulation synthetic rubber.

IPT 26 A
Panel Plug Connector

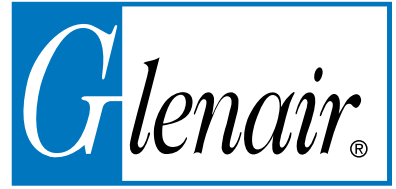


TABLE I: DIMENSIONS

Shell size	L Max.	G ±0.4	H ±0.1	M Thread
16	24.5	31.0	24.60	6 - 32UNC
20	28.5	36.5	29.40	6 - 32UNC
22	28.5	39.7	31.75	6 - 32UNC
24	32.0	42.8	34.92	6 - 32UNC

TABLE II: MODIFICATION CODES

CONTACT OPTIONS	
Sym	Description
B0	Connector Without Contacts (Only for crimp version)
FINISH OPTIONS	
Sym	Description and RoHS compliant
F6	Black Electrodeposited Paint
F7	Black Zinc Nickel
F11	Electroless Nickel
MB	Marine Bronze
Omit for standard version (Cadmium Olive Drab Finish)	

