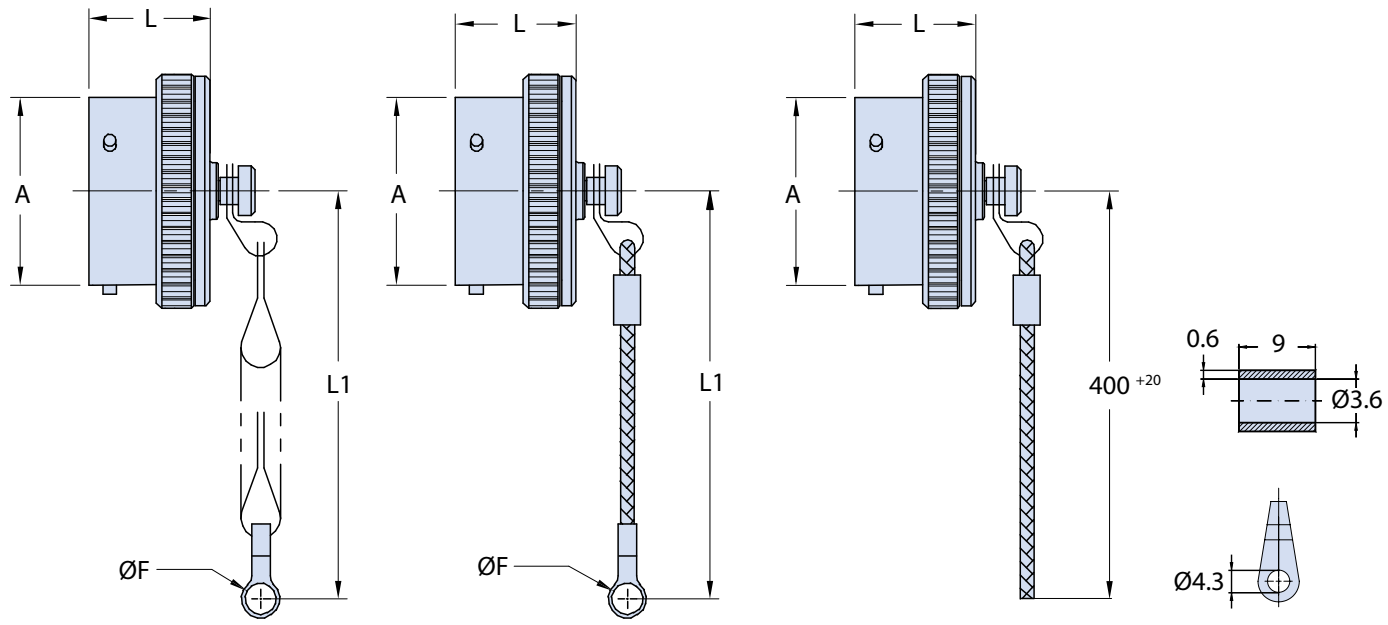
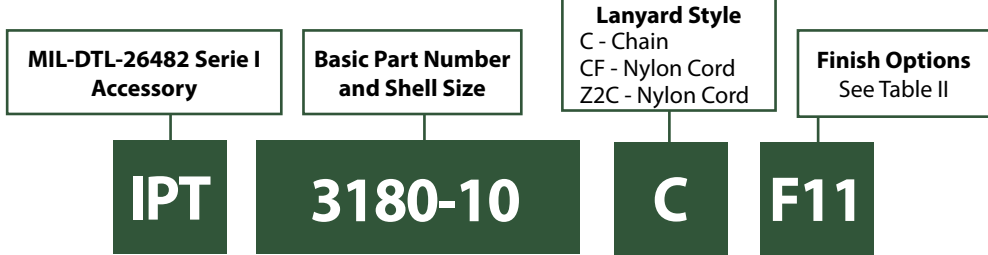


# IPT 3180-C and IPT 3180-CF Protective Plug Covers



**Example: IPT3180-18C**  
(Stainless Steel Chain)

**Example: IPT3180-18CF**  
(Nylon Cord)

**Example: IPT3180-18Z2C**  
(Nylon Cord with loose terminal link and sleeve)



GLENAIR P/N	Shell size	A +0.02 -0.12	ØF +0.2 0	L +0.6 0	L1 min.
IPT3180-8C	8	12.01	4.3	14.3	76.2
IPT3180-10C	10	14.98	4.3	14.3	76.2
IPT3180-12C	12	19.05	4.3	14.3	88.9
IPT3180-14C	14	22.22	4.3	14.3	88.9
IPT3180-16C	16	25.40	4.3	14.3	88.9
IPT3180-18C	18	28.57	4.3	14.3	88.9
IPT3180-20C	20	31.75	4.3	15.9	101.6
IPT3180-22C	22	34.92	4.3	15.9	101.6
IPT3180-24C	24	38.10	4.3	15.9	101.6

**Application Notes**  
Metal protective cover for plug connectors with stainless steel chain or nylon cord.

**TABLE II: MODIFICATION CODES**

Shell Finish (Omit for Standard Cad/Olive Drab Finish)
<b>F6</b> - Black Electrodeposited Paint (RoHs)
<b>F7</b> - Black Zinc Nickel (RoHs)
<b>F11</b> - Electroless Nickel (RoHs)
<b>MB</b> - Marine Bronze (RoHs)