

IT 3057-C Cable Clamp

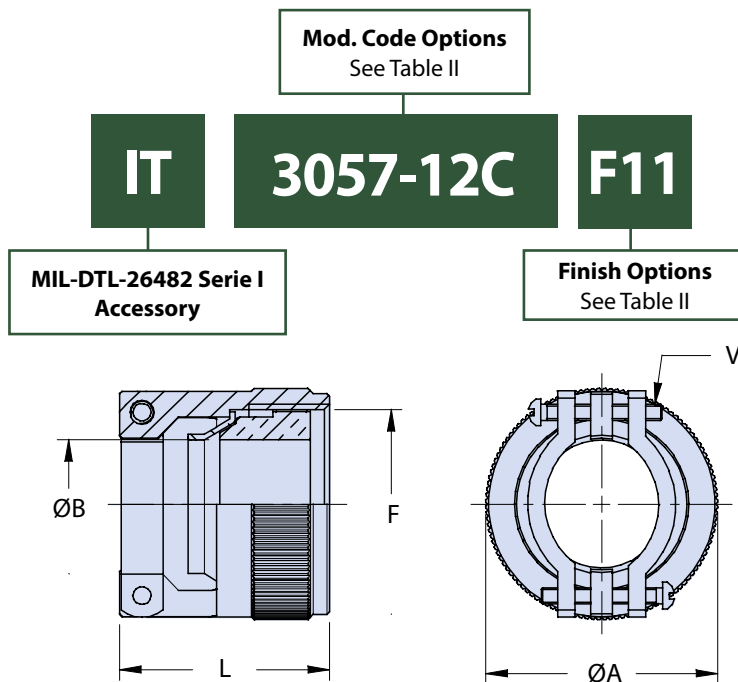


TABLE II: MODIFICATION CODES

Shell Finish (Omit for Standard Cad/Olive Drab Finish)
F6 - Black Electrodeposited Paint (RoHs)
F7 - Black Zinc Nickel (RoHs)
F11 - Electroless Nickel (RoHs)
MB - Marine Bronze (RoHs)

Application Notes

Waterproof cable clamp suitable for jacketed cable or wires protected by tubing. Assures watertight integrity of connector.



TABLE I: DIMENSIONS

GLENNAIR P/N	Shell size	Sleeve to use	ØA	ØB		F Thread in inches	L	V Thread
				min.	Max.			
IT3057 - 3C	8	IT3420 - 3A	20.0	0.68	5.56	0.5000 - 28UNEF	33.2	6 - 32 NC
IT3057 - 4C	10	IT3420 - 4A	22.6	2.38	7.93	0.6250 - 24UNEF	32.3	6 - 32 NC
IT3057 - 6C	12	IT3420 - 4A / 6A	25.8	5.84	11.12	0.7500 - 20UNEF	32.3	6 - 32 NC
IT3057 - 8C	14	IT3420 - 6A / 8A	28.1	8.00	13.84	0.8750 - 20UNEF	32.3	6 - 32 NC
IT3057 - 10C	16	IT3420 - 6A / 10A	31.0	9.60	15.87	1.0000 - 20UNEF	35.3	6 - 32 NC
IT3057 - 12C	18	IT3420 - 8A / 12A	37.3	11.30	19.00	1.1875 - 18NEF	35.7	8 - 32 NC
IT3057 - 12C	20	IT3420 - 8A / 12A	37.3	11.30	19.00	1.1875 - 18NEF	35.7	8 - 32 NC
IT3057 - 16C	22	IT3420 - 8A / 12A / 16A	42.0	15.50	23.80	1.4375 - 18NEF	38.5	8 - 32 NC
IT3057 - 16C	24	IT3420 - 8A / 12A / 16A	42.0	15.50	23.80	1.4375 - 18NEF	38.5	8 - 32 NC