

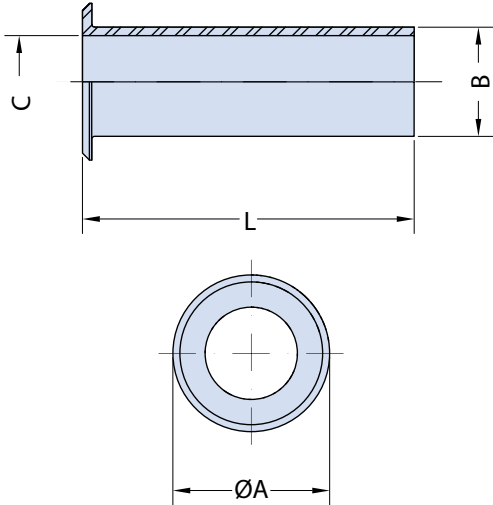
# IT 3420 and IT 3420-A Neoprene Sleeve

MIL-DTL-26482 Serie I  
Accessory

Basic Part Number  
and Shell Size

**IT**

**3420-3**



**TABLE I: CLASS A CABLE CLAMPS**

GLENAIR CODE	ØA	B	C	L
GLENAIR P/N	±0.1	±0.1	±0.1	±0.1
IT3420 - 3	9.5	5.33	3.30	73.0
IT3420 - 4	12.8	7.67	5.58	69.8
IT3420 - 6	15.7	10.84	7.92	66.8
IT3420 - 8	18.8	14.02	11.09	63.5
IT3420 - 10	22.0	15.62	14.27	60.3
IT3420 - 12	27.0	18.79	15.87	57.1
IT3420 - 16	33.3	23.54	19.05	53.9

**Application Notes**

IT3420 : Neoprene sleeve for protection and reduction, used with class A cable clamps.

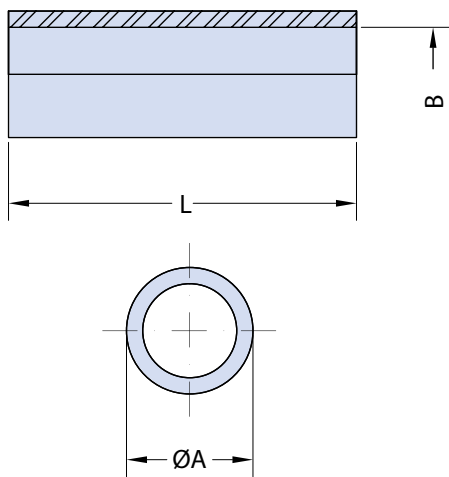
**D**

MIL-DTL-26482 Serie I  
Accessory

Basic Part Number  
and Shell Size

**IT**

**3420-3A**



**TABLE II: CLASS C CABLE CLAMPS**

GLENAIR CODE	ØA	B	L
GLENAIR P/N	±0.1	±0.1	±0.1
IT3420 - 3A	5.30	2.90	50.5
IT3420 - 4A	7.63	5.56	50.5
IT3420 - 6A	10:50	7.93	50.5
IT3420 - 8A	13:50	11.10	50.5
IT3420 - 10A	15.70	11.10	50.5
IT3420 - 12A	18:50	13.74	50.9
IT3420 - 16A	23.60	19.00	50.9

**Application Notes**

IT3420-A : Neoprene sleeve for protection and reduction, used with class C cable clamps.