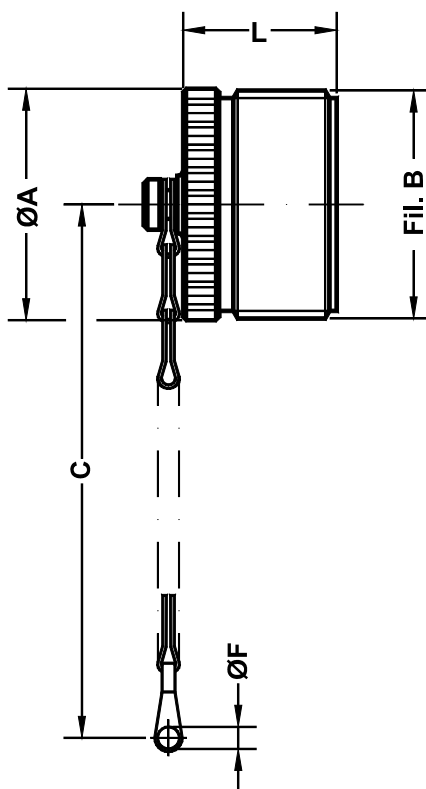
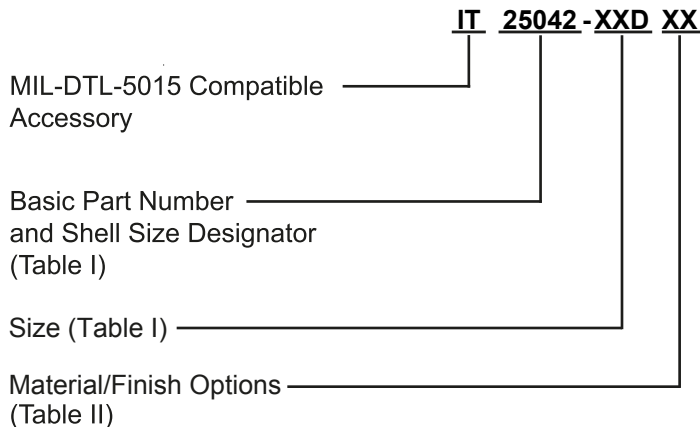


**Tappo a vite per connettori volanti**  
*Threaded cap for plug connectors*



Tappo metallico con catena in acciaio inox.

*Metal cap with stainless steel chain.*

# IT 25042 - XXD

## Tappo a vite per connettori volanti *Threaded cap for plug connectors*

**TABLE I: CONNECTOR SIZE AND DIMENSIONS**

Glenair P /N	Connector size	ØA	B Thread	C min.	ØF +0.25 -0.13	L
IT 25042 - 10D	10S - 10SL	17.4	0.6250 - 24UNEF	102	3.95	16.6
IT 25042 - 12D	12 - 12S	20.6	0.7500 - 20UNEF	115	3.95	21.4
IT 25042 - 14D	14 - 14S	23.7	0.8750 - 20UNEF	115	3.95	21.4
IT 25042 - 16D	16 - 16S	26.9	1.0000 - 20UNEF	115	3.95	21.4
IT 25042 - 18D	18	30.0	1.1250 - 18UNEF	115	3.95	21.4
IT 25042 - 20D	20	33.0	1.2500 - 18UNEF	127	4.80	21.4
IT 25042 - 22D	22	36.4	1.3750 - 18UNEF	127	4.80	21.4
IT 25042 - 24D	24	39.6	1.5000 - 18UNEF	140	4.80	21.4
IT 25042 - 28D	28	46.0	1.7500 - 18UNS	197	4.80	21.4
IT 25042 - 32D	32	52.0	2.0000 - 18UNS	197	5.60	21.4
IT 25042 - 36D	36	58.7	2.2500 - 16UN	197	5.60	21.4
IT 25042 - 40D	40	65.0	2.5000 - 16UN	197	5.60	21.4

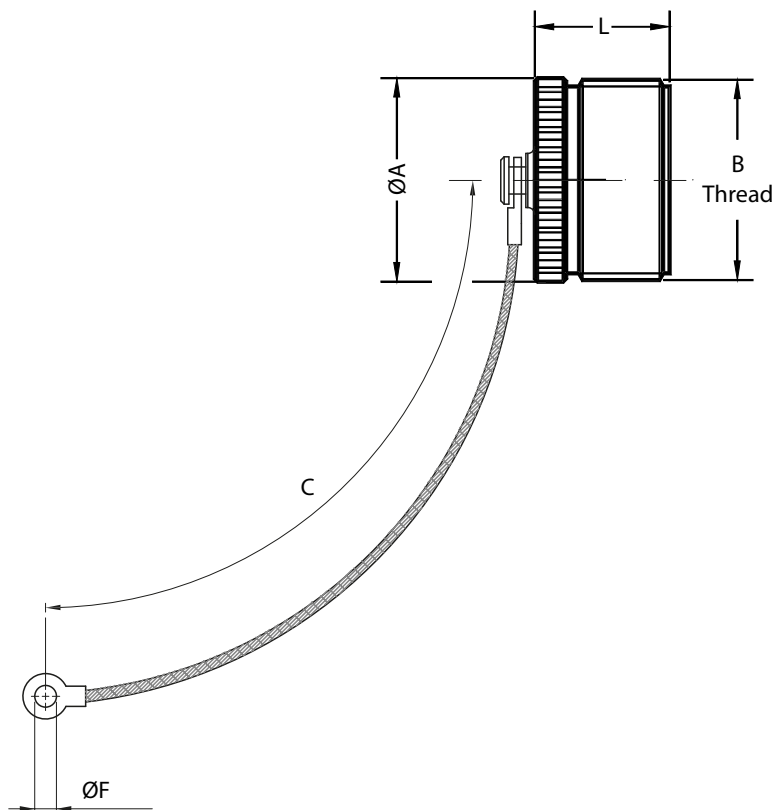
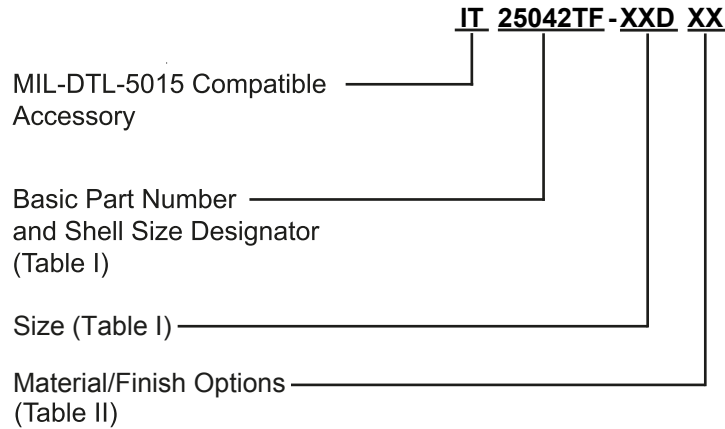
**TABLE II**

ALUMINUM FINISH OPTIONS (*)	
Sym	Description
F2	Bright Nickel Plating
F6	Black Electrodeposited Paint
F7	Black Zinc Nickel
F8	Olive Drab Zinc Nickel
Omit for standard version (Cadmium Olive Drab Finish)	
MATERIAL OPTIONS	
FK	Stainless Steel
MB	Marine Bronze

(\*) For further finish options, please contact the factory.

Tappo metallico con catena in acciaio inox. *Metal cap with stainless steel chain.*

**Tappo a vite per connettori volanti**  
*Threaded cap for plug connectors*



Tappo metallico con fune in acciaio inox.

*Metal cap with stainless steel wire rope.*

# IT 25042TF - XXD

## Tappo a vite per connettori volanti *Threaded cap for plug connectors*

**TABLE I: CONNECTOR SIZE AND DIMENSIONS**

Glenair P /N	Connector size	ØA	B Thread	C min.	ØF +0.2 -0	L
IT 25042TF - 10D	10S - 10SL	17.4	0.6250 - 24UNEF	193	4.30	16.6
IT 25042TF - 12D	12 - 12S	20.6	0.7500 - 20UNEF	193	4.30	21.4
IT 25042TF - 14D	14 - 14S	23.7	0.8750 - 20UNEF	193	4.30	21.4
IT 25042TF - 16D	16 - 16S	26.9	1.0000 - 20UNEF	193	4.30	21.4
IT 25042TF - 18D	18	30.0	1.1250 - 18UNEF	193	4.30	21.4
IT 25042TF - 20D	20	33.0	1.2500 - 18UNEF	193	4.30	21.4
IT 25042TF - 22D	22	36.4	1.3750 - 18UNEF	193	4.30	21.4
IT 25042TF - 24D	24	39.6	1.5000 - 18UNEF	193	4.30	21.4
IT 25042TF - 28D	28	46.0	1.7500 - 18UNS	193	5.30	21.4
IT 25042TF - 32D	32	52.0	2.0000 - 18UNS	193	5.30	21.4
IT 25042TF - 36D	36	58.7	2.2500 - 16UN	193	5.30	21.4
IT 25042TF - 40D	40	65.0	2.5000 - 16UN	193	5.30	21.4

**TABLE II**

ALUMINUM FINISH OPTIONS (*)	
Sym	Description
F2	Bright Nickel Plating
F6	Black Electrodeposited Paint
F7	Black Zinc Nickel
F8	Olive Drab Zinc Nickel
Omit for standard version (Cadmium Olive Drab Finish)	
MATERIAL OPTIONS	
FK	Stainless Steel
MB	Marine Bronze

(\*) For further finish options, please contact the factory.

Tappo metallico con fune in acciaio inox.

*Metal cap with stainless steel wire rope.*