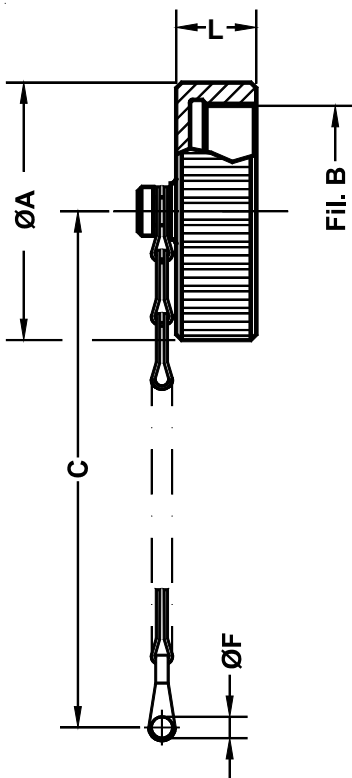
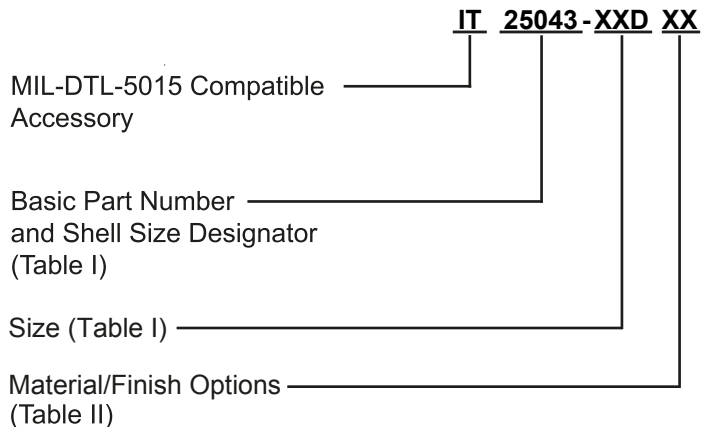


Tappo a vite per connettori da pannello
Threaded cap for receptacle connectors



Tappo metallico con catena in acciaio inox. *Metal cap with stainless steel chain.*

IT 25043 - XXD

Tappo a vite per connettori da pannello *Threaded cap for receptacle connectors*

TABLE I: CONNECTOR SIZE AND DIMENSIONS

Glenair P /N	Connector size	ØA	B Thread	C min.	L	ØF +0.25 -0.13
IT 25043 - 10D	10S - 10SL	20.7	0.6250 - 24UNEF	102	11.9	3.55
IT 25043 - 12D	12 - 12S	25.4	0.7500 - 20UNEF	115	11.9	3.55
IT 25043 - 14D	14 - 14S	28.6	0.8750 - 20UNEF	115	11.9	3.55
IT 25043 - 16D	16 - 16S	30.2	1.0000 - 20UNEF	115	11.9	3.55
IT 25043 - 18D	18	34.1	1.1250 - 18UNEF	115	11.9	3.55
IT 25043 - 20D	20	37.3	1.2500 - 18UNEF	127	11.9	3.55
IT 25043 - 22D	22	40.4	1.3750 - 18UNEF	127	11.9	3.55
IT 25043 - 24D	24	43.6	1.5000 - 18UNEF	140	11.9	4.30
IT 25043 - 28D	28	50.0	1.7500 - 18UNS	197	13.5	4.30
IT 25043 - 32D	32	56.3	2.0000 - 18UNS	197	13.5	4.80
IT 25043 - 36D	36	62.7	2.2500 - 16UN	197	13.5	4.80
IT 25043 - 40D	40	69.0	2.5000 - 16UN	197	13.5	4.80

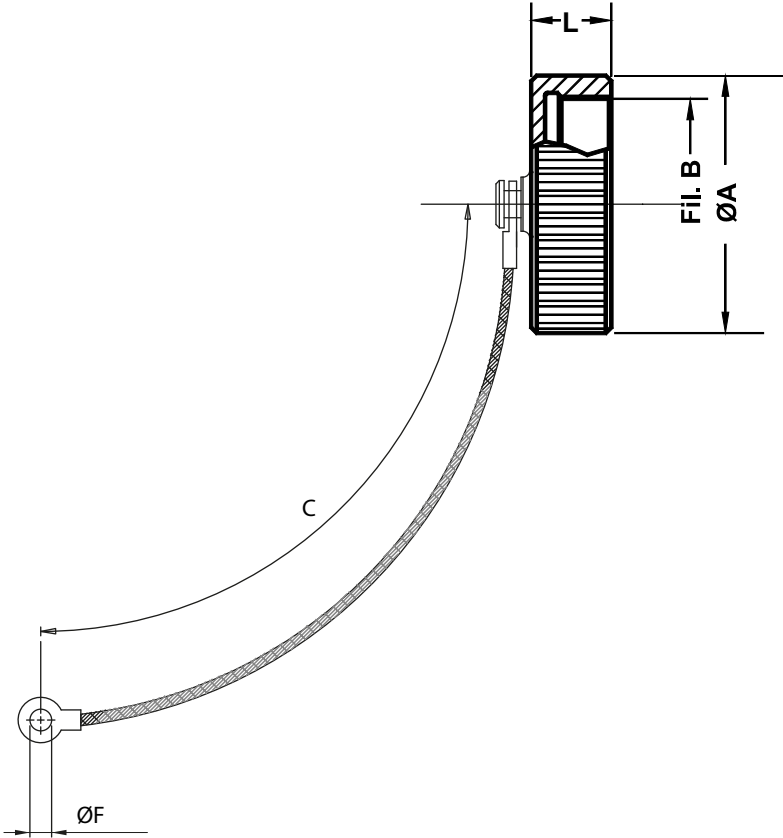
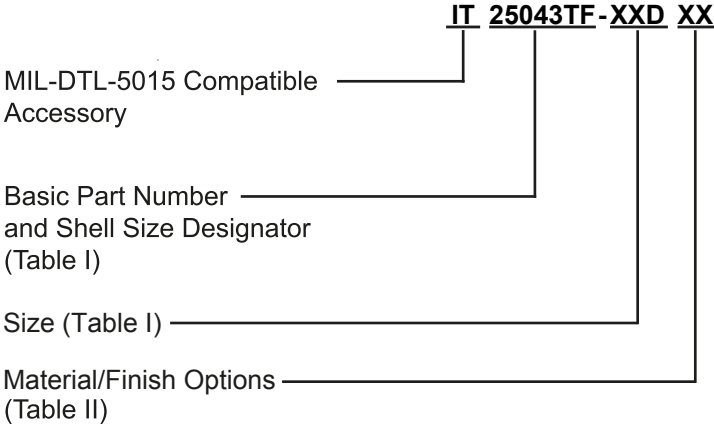
TABLE II

ALUMINUM FINISH OPTIONS (*)	
Sym	Description
F2	Bright Nickel Plating
F6	Black Electrodeposited Paint
F7	Black Zinc Nickel
F8	Olive Drab Zinc Nickel
Omit for standard version (Cadmium Olive Drab Finish)	
MATERIAL OPTIONS	
FK	Stainless Steel
MB	Marine Bronze

(*) For further finish options, please contact the factory.

Tappo metallico con catena in acciaio inox. *Metal cap with stainless steel chain.*

Tappo a vite per connettori da pannello
Threaded cap for receptacle connectors



Tappo metallico con fune in acciaio inox.

Metal cap with stainless steel wire rope.

IT 25043TF - XXD

Tappo a vite per connettori da pannello Threaded cap for receptacle connectors

TABLE I: CONNECTOR SIZE AND DIMENSIONS

Glenair P /N	Connector size	ØA	B Thread	C min.	L	ØF +0.2 -0
IT 25043TF - 10D	10S - 10SL	20.7	0.6250 - 24UNEF	193	11.9	4.30
IT 25043TF - 12D	12 - 12S	25.4	0.7500 - 20UNEF	193	11.9	4.30
IT 25043TF - 14D	14 - 14S	28.6	0.8750 - 20UNEF	193	11.9	4.30
IT 25043TF - 16D	16 - 16S	30.2	1.0000 - 20UNEF	193	11.9	4.30
IT 25043TF - 18D	18	34.1	1.1250 - 18UNEF	193	11.9	4.30
IT 25043TF - 20D	20	37.3	1.2500 - 18UNEF	193	11.9	4.30
IT 25043TF - 22D	22	40.4	1.3750 - 18UNEF	193	11.9	4.30
IT 25043TF - 24D	24	43.6	1.5000 - 18UNEF	193	11.9	4.30
IT 25043TF - 28D	28	50.0	1.7500 - 18UNS	193	13.5	5.30
IT 25043TF - 32D	32	56.3	2.0000 - 18UNS	193	13.5	5.30
IT 25043TF - 36D	36	62.7	2.2500 - 16UN	193	13.5	5.30
IT 25043TF - 40D	40	69.0	2.5000 - 16UN	193	13.5	5.30

TABLE II

ALUMINUM FINISH OPTIONS (*)	
Sym	Description
F2	Bright Nickel Plating
F6	Black Electrodeposited Paint
F7	Black Zinc Nickel
F8	Olive Drab Zinc Nickel
Omit for standard version (Cadmium Olive Drab Finish)	
MATERIAL OPTIONS	
FK	Stainless Steel
MB	Marine Bronze

(*) For further finish options, please contact the factory.

Tappo metallico con catena in acciaio inox. *Metal cap with stainless steel chain.*