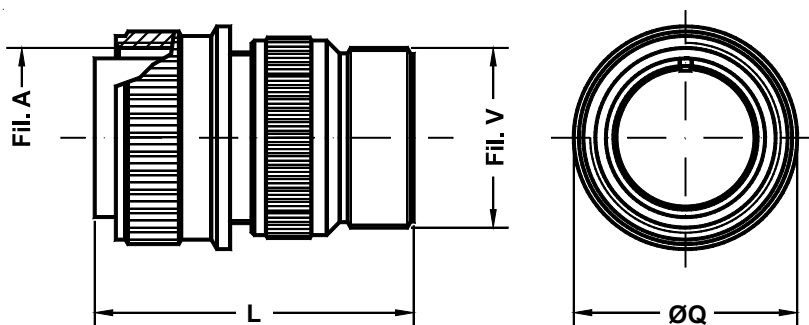


Connettore volante diritto
Straight plug



Es. / Ex. : IT3106A20-27P

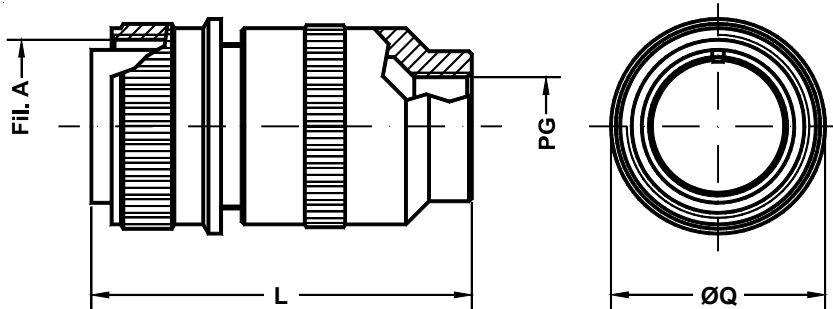
Dimensione Guscio Shell Size	Filetto A A thread	L Max.	Q ±0.2	Filetto V V thread
10 SL	0.6250 - 24UNEF	44.0	24.1	0.6250 - 24UNEF
12 S	0.7500 - 20UNEF	44.0	25.0	0.6250 - 24UNEF
12	0.7500 - 20UNEF	51.5	25.0	0.6250 - 24UNEF
14 S	0.8750 - 20UNEF	46.4	28.0	0.7500 - 20UNEF
14	0.8750 - 20UNEF	53.0	28.0	0.7500 - 20UNEF
16 S	1.0000 - 20UNEF	46.4	31.5	0.8750 - 20UNEF
16	1.0000 - 20UNEF	57.8	31.5	0.8750 - 20UNEF
18	1.1250 - 18UNEF	57.8	34.0	1.0000 - 20UNEF
20	1.2500 - 18UNEF	58.1	37.2	1.1875 - 18UNEF
22	1.3750 - 18UNEF	58.1	40.4	1.1875 - 18UNEF
24	1.5000 - 18UNEF	59.7	43.5	1.4375 - 18UNEF
28	1.7500 - 18UNS	66.2	49.9	1.4375 - 18UNEF
32	2.0000 - 18UNS	71.3	56.0	1.7500 - 18UNS
36	2.2500 - 16UN	76.8	62.5	2.0000 - 18UNS
40	2.5000 - 16UN	76.8	69.0	2.2500 - 16UN

Connettore da cavo diritto.
Fornito completo di adattatore per serracavo
MS 3057-XX A/B/C.

Straight plug.
Includes backshell for MS 057-XX A/B/C cable
clamp.
No grommet supplied.

IT 3106 A ... PG__ / IT 3106 R ... PG__
 IT 4106 A ... PG__ / IT 4106 R... PG__

Connettore volante diritto
Straight plug



Es. / Ex. : IT3106A20-27PPG16

Dimensione Guscio Shell Size	Filetto A A thread	L Max.	Q ±0.2	Filetto PG PG thread
10 SL	0.6250 - 24UNEF	50.0	24.1	7 / 9 / 11
12 S	0.7500 - 20UNEF	50.0	25.0	7 / 9 / 11
12	0.7500 - 20UNEF	61.0	25.0	7 / 9 / 11
14 S	0.8750 - 20UNEF	52.5	28.0	9 / 11 / 13.5
14	0.8750 - 20UNEF	61.0	28.0	9 / 11 / 13.5
16 S	1.0000 - 20UNEF	52.5	31.5	11 / 13.5 / 16
16	1.0000 - 20UNEF	61.0	31.5	11 / 13.5 / 16
18	1.1250 - 18UNEF	66.5	34.0	13.5 / 16 / 21
20	1.2500 - 18UNEF	69.5	37.2	13.5 / 16 / 21
22	1.3750 - 18UNEF	69.5	40.4	13.5 / 16 / 21
24	1.5000 - 18UNEF	71.5	43.5	16 / 21 / 29
28	1.7500 - 18UNS	76.5	49.9	16 / 21 / 29
32	2.0000 - 18UNS	82.5	56.0	16 / 21 / 29
36	2.2500 - 16UN	87.5	62.5	21 / 29 / 36
40	2.5000 - 16UN	92.5	69.0	21 / 29 / 36

Connettore da cavo diritto con custodia per serracavo PG, non incluso.

Altri tipi di PG possono essere forniti nelle varie taglie a richiesta.

Nella versione in classe R è fornito completo di zoccolo isolante.

Classe A: senza zoccolo

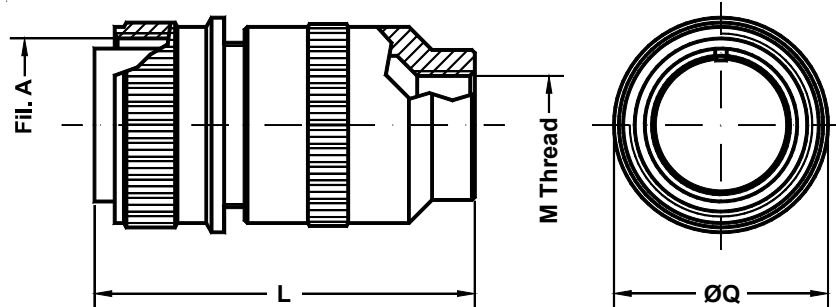
Straight plug with backshell for use with PG cable glands (not included).

Other types of PG adaptors can be supplied in various sizes upon request.

Class R includes a wire sealing grommet.

Class A: no grommet supplied

Connettore volante diritto
Straight plug



Es. / Ex. : IT3106A20-27PFM20

Dimensione Guscio Shell Size	Filetto A A thread	L Max	Q ±0.2	Filetto M M thread
10	0.6250 - 24UNEF	50.0	24.1	M12X1,5
12 S	0.7500 - 20UNEF	50.0	25.0	M12X1,5
12	0.7500 - 20UNEF	61.0	25.0	M12X1,5
14 S	0.8750 - 20UNEF	52.5	28.0	M16X1,5
14	0.8750 - 20UNEF	61.0	28.0	M16X1,5
16 S	1.0000 - 20UNEF	52.5	31.5	M16X1,5
16	1.0000 - 20UNEF	61.0	31.5	M16X1,5
18	1.1250 - 18UNEF	66.5	34.0	M20X1,5
20	1.2500 - 18UNEF	69.5	37.2	M25X1,5
22	1.3750 - 18UNEF	69.5	40.4	M25X1,5
24	1.5000 - 18UNEF	71.5	43.5	M32X1,5
28	1.7500 - 18UNS	76.5	49.9	M32X1,5
32	2.0000 - 18UNS	82.5	56.0	M36X1,5
36	2.2500 - 16UN	87.5	62.5	M40X1,5
40	2.5000 - 16UN	92.5	69.0	M48X1,5

Connettore da cavo diritto con custodia per serracavo metrico, non incluso.

Altri tipi di adattatori possono essere forniti nelle varie taglie a richiesta.

Nella versione in classe R è fornito completo di zoccolo isolante.

Classe A: senza zoccolo

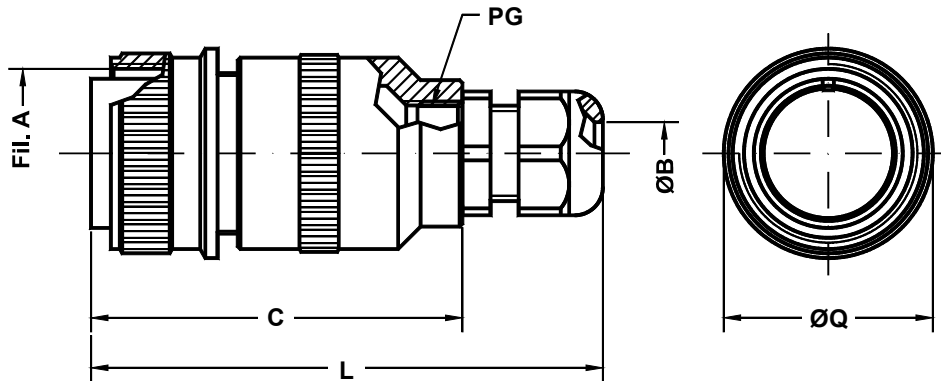
Straight plug with backshell for use with metric cable glands (not included).

Other types of adaptors can be supplied in various sizes upon request.

Class R includes a wire sealing grommet.

Class A: no grommet supplied

Connettore volante diritto
Straight plug



Es. / Ex. : IT3106A20-27PPH16

Dimensione Guscio Shell Size	Filetto A A thread	B min. ÷ Max.	C Max.	L Max.	Q ±0.2	Filetto PG PG thread
10 SL	0.6250 - 24UNEF	3÷6.5 / 4÷8 / 5÷10	50.0	76.0	24.1	7 / 9 / 11
12 S	0.7500 - 20UNEF	3÷6.5 / 4÷8 / 5÷10	50.0	76.0	25.0	7 / 9 / 11
12	0.7500 - 20UNEF	3÷6.5 / 4÷8 / 5÷10	50.0	76.0	25.0	7 / 9 / 11
14 S	0.8750 - 20UNEF	5÷10 / 6÷12	52.5	81.5	28.0	11 / 13.5
14	0.8750 - 20UNEF	5÷10 / 6÷12	61.0	90.0	28.0	11 / 13.5
16 S	1.0000 - 20UNEF	4÷8 / 5÷10 / 9÷14	52.5	83.5	31.5	9 / 11 / 16
16	1.0000 - 20UNEF	4÷8 / 5÷10 / 9÷14	61.0	92.0	31.5	9 / 11 / 16
18	1.1250 - 18UNEF	4÷8 / 5÷10 / 9÷14 / 13÷18	66.5	101.5	34.0	9 / 11 / 16 / 21
20	1.2500 - 18UNEF	5÷10 / 9÷14 / 13÷18	69.5	104.5	37.2	11 / 16 / 21
22	1.3750 - 18UNEF	6÷12 / 9÷14 / 13÷18	69.5	104.5	40.4	13.5 / 16 / 21
24	1.5000 - 18UNEF	6÷12 / 9÷14 / 13÷18 / 15÷25	71.5	110.5	43.5	13.5 / 16 / 21 / 29
28	1.7500 - 18UNS	9÷14 / 13÷18 / 15÷25	76.5	115.5	49.9	16 / 21 / 29
32	2.0000 - 18UNS	13÷18 / 15÷25	82.5	121.5	56.0	21 / 29
36	2.2500 - 16UN	13÷18 / 15÷25 / 20÷32	87.5	136.5	62.5	21 / 29 / 36
40	2.5000 - 16UN	15÷25 / 20÷32	92.5	141.5	69.0	29 / 36

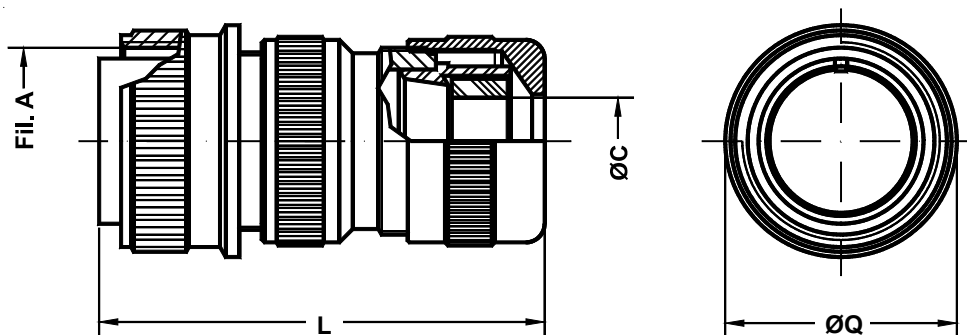
Connettore da cavo diritto con custodia e serracavo PG plastico.
Altri PG possono essere forniti nelle varie taglie a richiesta.

Straight plug with backshell and plastic PG cable gland.

Other types of PG backshells can be supplied in various sizes upon request.

No grommet supplied.

Connettore volante diretto
Straight plug



Es. / Ex. : IT3106A20-27PPHM11

Dimensione Guscio Shell Size	P.N. PHM	Filetto A A thread	C min. ÷ Max.	L Max.	Q ±0.2
10 SL	9	0.6250 - 24UNEF	2÷9	60	24.1
12 S	11	0.7500 - 20UNEF	2÷11	60	25.0
12	11	0.7500 - 20UNEF	2÷11	60	25.0
14 S	11	0.8750 - 20UNEF	2÷11	60	28.0
14	11	0.8750 - 20UNEF	2÷11	60	28.0
16 S	11	1.0000 - 20UNEF	2÷11	60	31.5
16	11	1.0000 - 20UNEF	2÷11	70	31.5
18	11 / 18	1.1250 - 18UNEF	2÷11 / 9÷16.5	70	34.0
20	11 / 18	1.2500 - 18UNEF	2÷11 / 9÷16.5	70	37.2
22	18	1.3750 - 18UNEF	9÷16.5	70	40.4
24	18 / 22 / 24	1.5000 - 18UNEF	9÷16.5 / 15÷20 / 19÷24	80	43.5
28	18 / 22 / 24	1.7500 - 18UNS	9÷16.5 / 15÷20 / 19÷24	80	49.9
32	22 / 24	2.0000 - 18UNS	15÷20 / 19÷24	80	56.0
36	35	2.2500 - 16UN	23÷35	95	62.5
40	35	2.5000 - 16UN	23÷35	95	69.0

Connettore da cavo diretto fornito completo di serracavo PHM.

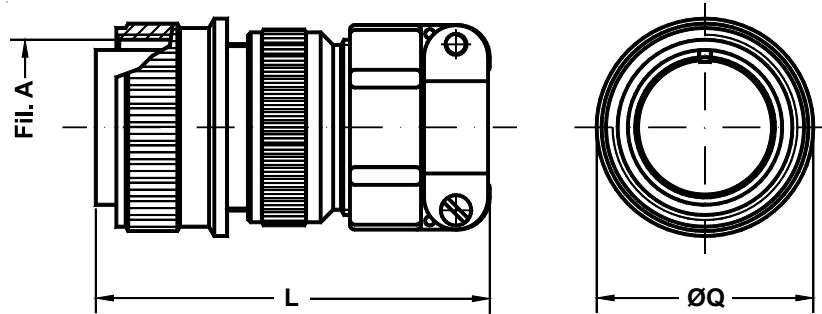
Garantisce una ottima tenuta meccanica sul cavo e ambientale se provvisto di appositi O-Ring.

Straight plug complete with a PHM cable clamp that assures an excellent mechanical and waterproof seal if used with the correct neoprene sealing sleeves.

No grommet supplied.

IT 3106 F
IT 4106 F

Connettore volante diritto
Straight plug



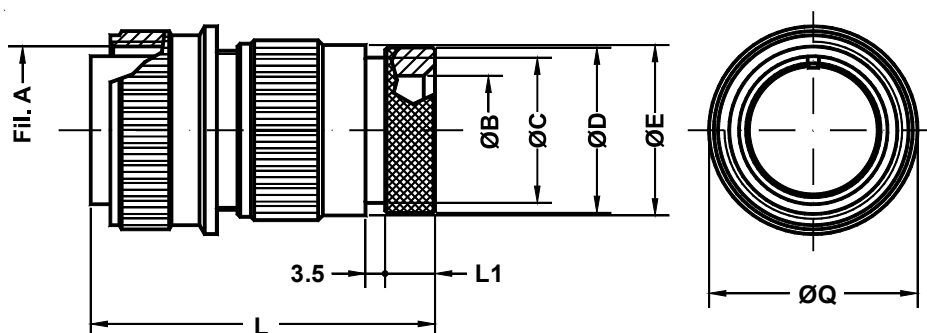
Es. / Ex. : IT3106F20-27P

Dimensione Guscio Shell Size	Filetto A A thread	L Max.	Q ±0.2
10 SL	0.6250 - 24UNEF	55.0	24.1
12 S	0.7500 - 20UNEF	55.0	25.0
12	0.7500 - 20UNEF	62.5	25.0
14 S	0.8750 - 20UNEF	58.4	28.0
14	0.8750 - 20UNEF	65.0	28.0
16 S	1.0000 - 20UNEF	60.4	31.5
16	1.0000 - 20UNEF	71.8	31.5
18	1.1250 - 18UNEF	77.8	34.0
20	1.2500 - 18UNEF	74.0	37.2
22	1.3750 - 18UNEF	74.0	40.4
24	1.5000 - 18UNEF	76.7	43.5
28	1.7500 - 18UNS	83.2	49.9
32	2.0000 - 18UNS	90.3	56.0
36	2.2500 - 16UN	96.8	62.5
40	2.5000 - 16UN	115.8	69.0

Connettore da cavo diritto.
Fornito completo di zoccolo isolante, adattatore
e serracavo MS 3057 classe A.

Straight plug.
Includes insulating grommet, backshell and
class A cable clamp MS 3057 type.

Connettore volante diretto
Straight plug



Es./ Ex. : IT3106G20-27P

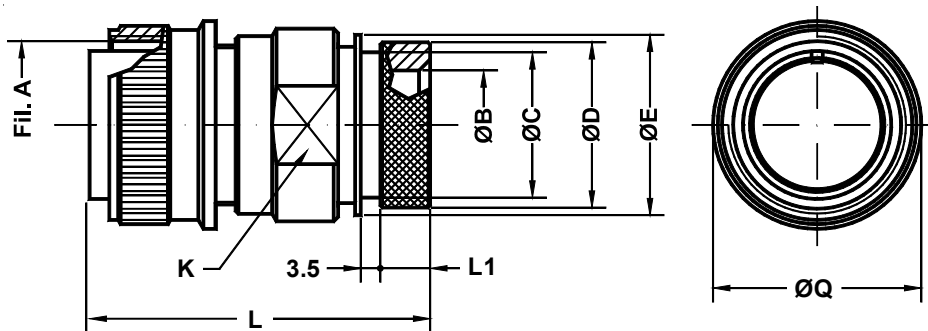
Dimensione Guscio Shell Size	Filetto A A thread	B min.	C ±0.1	D ±0.2	E ±0.2	L Max.	L1 ±0.1	Q ±0.2
10 SL	0.6250 - 24UNEF	8.5	13.0	15.5	17.0	52.7	8.2	24.1
12 S	0.7500 - 20UNEF	8.5	13.0	15.5	17.0	52.7	8.2	25.0
12	0.7500 - 20UNEF	8.5	13.0	15.5	17.0	57.5	8.2	25.0
14 S	0.8750 - 20UNEF	12.0	16.5	19.1	20.1	53.4	8.2	28.0
14	0.8750 - 20UNEF	12.0	16.5	19.1	20.1	55.0	8.2	28.0
16 S	1.0000 - 20UNEF	14.5	21.5	23.9	23.5	53.4	8.2	31.5
16	1.0000 - 20UNEF	14.5	21.5	23.9	23.5	65.8	8.0	31.5
18	1.1250 - 18UNEF	17.5	21.7	23.9	26.5	65.8	8.0	34.0
20	1.2500 - 18UNEF	19.5	26.0	29.6	30.5	66.1	8.9	37.2
22	1.3750 - 18UNEF	22.0	26.0	29.6	33.6	66.1	8.9	40.4
24	1.5000 - 18UNEF	25.0	34.5	37.8	36.1	65.7	9.2	43.5
28	1.7500 - 18UNS	29.0	34.3	37.8	41.4	66.2	9.2	49.9
32	2.0000 - 18UNS	34.0	43.6	47.8	48.6	73.8	11.7	56.0
36	2.2500 - 16UN	38.5	43.6	47.8	54.8	83.8	11.7	62.5
40	2.5000 - 16UN	48.0	52.6	57.8	60.9	83.8	11.7	69.0

Connettore da cavo diritto.
Fornito completo di zoccolo isolante e custodia
per preformato termorestringente.

Straight plug.
*Includes wire sealing grommet and backshell
for heat shrink tubing.*

IT 3106 GR
IT 4106 GR

Connettore volante diritto
Straight plug



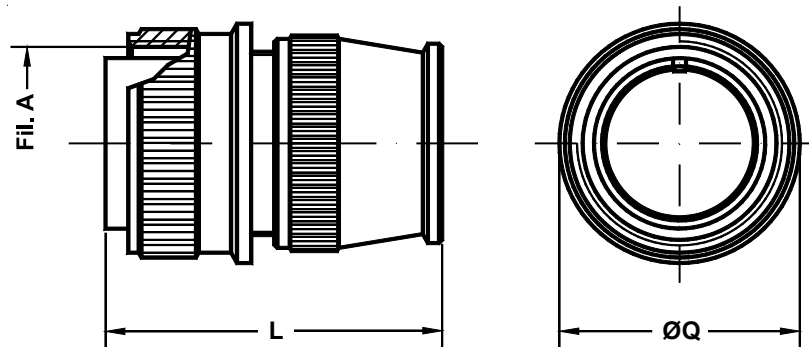
Es. / Ex. : IT3106GR20-27P

Dimensione Guscio Shell Size	Filetto A A thread	B min.	C ±0.1	D ±0.2	E ±0.2	Ch. K K key	L Max.	L1 ±0.1	Q ±0.2
10 SL	0.6250 - 24UNEF	8.5	13.0	15.5	17.0	20	52.7	8.2	24.1
12 S	0.7500 - 20UNEF	8.5	13.0	15.5	17.0	20	52.7	8.2	25.0
12	0.7500 - 20UNEF	8.5	13.0	15.5	17.0	20	57.5	8.2	25.0
14 S	0.8750 - 20UNEF	12.0	16.5	19.1	20.1	23	53.4	8.2	28.0
14	0.8750 - 20UNEF	12.0	16.5	19.1	20.1	23	55.0	8.2	28.0
16 S	1.0000 - 20UNEF	14.5	21.5	23.9	23.5	26	53.4	8.2	31.5
16	1.0000 - 20UNEF	14.5	21.5	23.9	23.5	26	65.8	8.0	31.5
18	1.1250 - 18UNEF	17.5	21.7	23.9	26.5	28	65.8	8.0	34.0
20	1.2500 - 18UNEF	19.5	26.0	29.6	30.5	32	66.1	8.9	37.2
22	1.3750 - 18UNEF	22.0	26.0	29.6	33.6	36	66.1	8.9	40.4
24	1.5000 - 18UNEF	25.0	34.5	37.8	36.1	39	65.7	9.2	43.5
28	1.7500 - 18UNS	29.0	34.3	37.8	41.4	46	66.2	9.2	49.9
32	2.0000 - 18UNS	34.0	43.6	47.8	48.6	52	73.8	11.7	56.0
36	2.2500 - 16UN	38.5	43.6	47.8	54.8	58	83.8	11.7	62.5
40	2.5000 - 16UN	48.0	52.6	57.8	60.9	65	83.8	11.7	69.0

Connettore da cavo diritto.
Fornito completo di zoccolo isolante e custodia
ispezionabile per preformato termorestringente.

Straight plug.
*Includes wire sealing grommet and backshell
with rotating clamp nut for heat shrink tubing.*

Connettore volante diretto
Straight plug



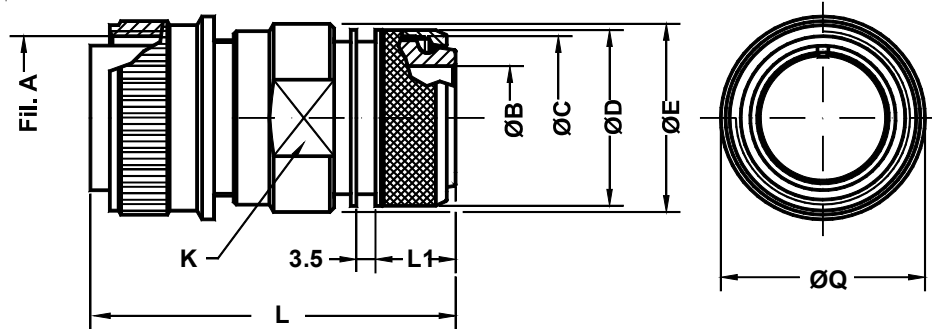
Es./ Ex. : IT3106R20-27P

Dimensione Guscio Shell Size	Filetto A A thread	L Max.	Q ±0.2
10 SL	0.6250 - 24UNEF	38.0	24.1
12 S	0.7500 - 20UNEF	38.0	25.0
12	0.7500 - 20UNEF	45.5	25.0
14 S	0.8750 - 20UNEF	47.5	28.0
14	0.8750 - 20UNEF	52.5	28.0
16 S	1.0000 - 20UNEF	45.5	31.5
16	1.0000 - 20UNEF	55.5	31.5
18	1.1250 - 18UNEF	55.5	34.0
20	1.2500 - 18UNEF	55.5	37.2
22	1.3750 - 18UNEF	55.5	40.4
24	1.5000 - 18UNEF	58.5	43.5
28	1.7500 - 18UNS	58.5	49.9
32	2.0000 - 18UNS	58.5	56.0
36	2.2500 - 16UN	58.5	62.5
40	2.5000 - 16UN	58.5	69.0

Connettore da cavo diretto.
Fornito completo di zoccolo isolante e custodia
posteriore. Utilizzato con fili singoli.

Straight plug.
Includes wire sealing grommet and backshell.
For use with individual wires.

Connettore volante dritto
Straight plug



Es. / Ex. : IT3106SP20-27P

Dimensione Guscio Shell Size	Filetto A A thread	B min.	C ±0.1	D ±0.2	E ±0.2	Ch. K K key	L Max.	L1 ±0.1	Q ±0.2
10 SL	0.6250 - 24UNEF	8.5	13.0	15.5	17.0	20	52.7	8.2	24.1
12 S	0.7500 - 20UNEF	8.5	13.0	15.5	17.0	20	52.7	8.2	25.0
12	0.7500 - 20UNEF	8.5	13.0	15.5	17.0	20	57.5	8.2	25.0
14 S	0.8750 - 20UNEF	12.0	16.5	19.1	20.1	23	53.4	8.2	28.0
14	0.8750 - 20UNEF	12.0	16.5	19.1	20.1	23	55.0	8.2	28.0
16 S	1.0000 - 20UNEF	14.5	21.5	23.9	23.5	26	53.4	8.2	31.5
16	1.0000 - 20UNEF	14.5	21.5	23.9	23.5	26	65.8	8.0	31.5
18	1.1250 - 18UNEF	17.5	21.7	23.9	26.5	28	65.8	8.0	34.0
20	1.2500 - 18UNEF	19.5	26.0	29.6	30.5	32	66.1	8.9	37.2
22	1.3750 - 18UNEF	22.0	26.0	29.6	33.6	36	66.1	8.9	40.4
24	1.5000 - 18UNEF	25.0	34.5	37.8	36.1	39	65.7	9.2	43.5
28	1.7500 - 18UNS	29.0	34.3	37.8	41.4	46	66.2	9.2	49.9
32	2.0000 - 18UNS	34.0	43.6	47.8	48.6	52	73.8	11.7	56.0
36	2.2500 - 16UN	38.5	43.6	47.8	54.8	58	83.8	11.7	62.5
40	2.5000 - 16UN	48.0	52.6	57.8	60.9	65	83.8	11.7	69.0

Connettore da cavo dritto.
Fornito completo di zoccolo isolante e custodia ispezionabile per guaina termorestringente e raccolta di calza schermo.

Straight plug.
Includes wire sealing grommet and backshell with rotating clamp nut. Shielded cable is terminated with a "braid trap" nut and heat shrink tubing (optional).