

IT 40450-18 S

MIL-C-5015 Compatible
Accessory

Basic Part Number
and Shell Size Designator
(Table I)

S = Conductive
(Omit for Non-Conductive)

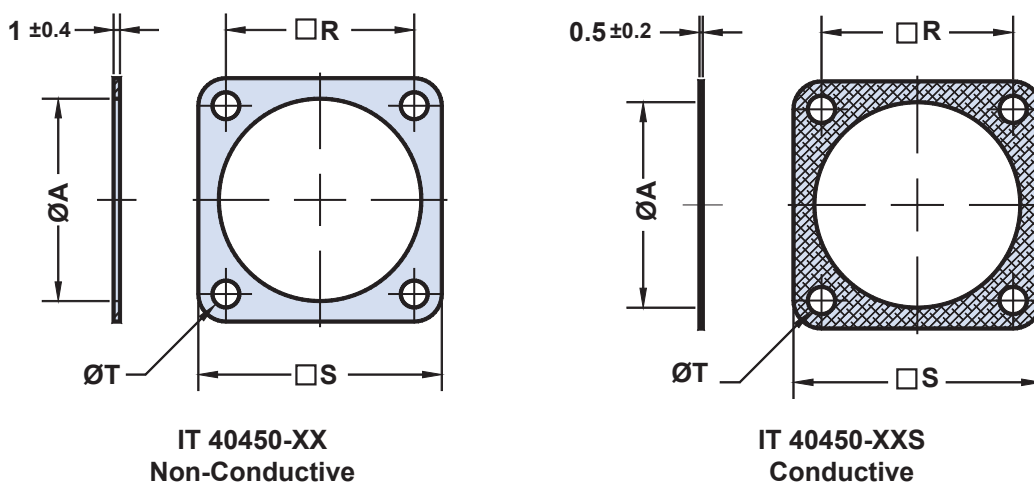


TABLE I: PART NUMBER AND SHELL SIZE DESIGNATOR

Part Number	Shell size	A +1	R -0.2	S -0.5	T +0.5
IT 40450 - 18	18	28.4	27.0	35.0	4.2
IT 40450 - 20	20	31.6	29.4	38.0	4.2
IT 40450 - 22	22	34.8	31.8	41.0	4.2
IT 40450 - 24	24	38.0	34.9	44.5	4.2
IT 40450 - 28	28	44.3	39.7	50.8	5.1
IT 40450 - 32	32	50.7	44.5	57.0	5.1
IT 40450 - 36	36	57.0	49.2	63.5	5.1
IT 40450 - 40	40	61.9	55.5	69.9	5.1

Application Notes:

1. Conductive and non-conductive gasket for front-mount square flange connectors.
2. Other types of front and rear connector accessories are available. See our website and/or contact the factory for complete information.