

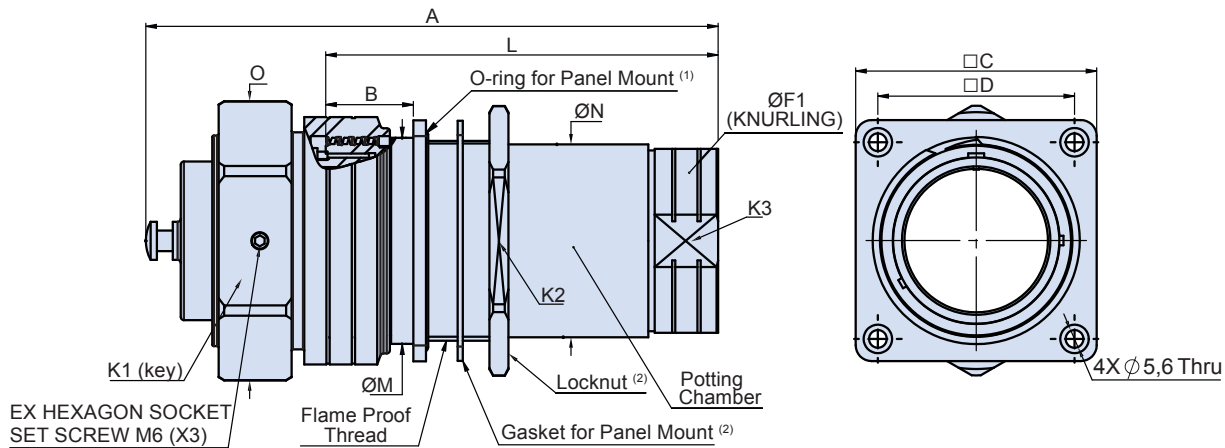
# Hazardous Zone Panel-Mount Fixed Receptacle

with potting well and auxiliary lock nut



## 927-072-003 PANEL-MOUNT FIXED RECEPTACLE WITH POTTING WELL AND AUXILIARY LOCK NUT\*

How To Order						
Sample Part Number	927-072	-003	-36-66	P1	F9	Y
Series	927-072					
Style	-003 = Panel Mount Fixed Receptacle Component <sup>(1)</sup> -004 = Panel Mount Fixed Receptacle Equipment <sup>(2)</sup>					
Shell Size - Insert Arrangement	See pages 22- 31					
Contact Type and Plating	P = Pin Contact, S = Socket Contact 1 = Silver Plated, 2 = Gold Plated					
Shell Material and Finish	F9 = Aluminium Alloy, Anodize Hardcoat					
Alternate Key Position	X, Y, Z, W (See Table on page 32) Omit for normal position					



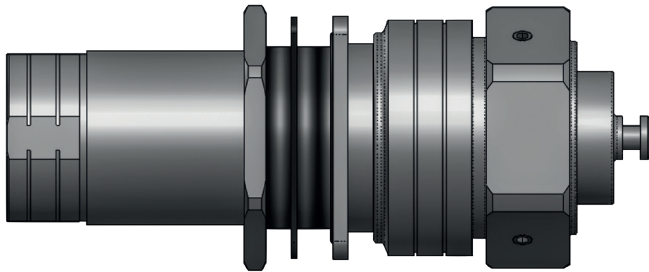
- (1) For Mounting on Ex d enclosure: use only O-ring for Panel Mount.  
For Screw type use only O-ring for Panel Mount.
- (2) For Mounting on Ex e enclosure: use only Gasket for Panel Mount and Locknut.  
For Jam Nut type: use only Gasket for Panel Mount and Locknut

Dimensions														
Shell Size	A	B	C	D ± 0.1	F1	K1	K2	K3	L	M	N	O	Flame Proof Thread	Min Full Thread Length
10SL	130.4	24.7	45	33	22	41	46	21	80.9	26	21	46	M25 x 1.5 6 g	19
14S	131.4	24.7	45	33	22.5	45	46	21	80.9	30	22.8	49	M25x 1.5 6 g	19
16	171.3	27.6	51	39	29.5	49	50	28	114.6	34	30	54	M32 x 1.5 6 g	19
18	*	*	*	*	*	*	*	*	*	*	*	*	*	*
28	178.3	27.6	67	52	47.5	65	65	46	121.6	52	48	72	M50 x 1.5 6 g	19
36	180.4	27.6	76	62	60.3	78	75	58	123.7	65	60.8	88	M63 x 1.5 6 g	19

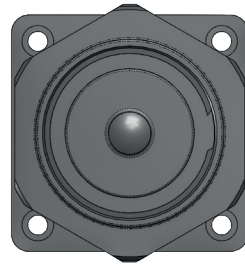
(\*) Final IEC ATEX Ex d certification pending for size 18. Consult the factory for status.

with potting well and auxiliary lock nut

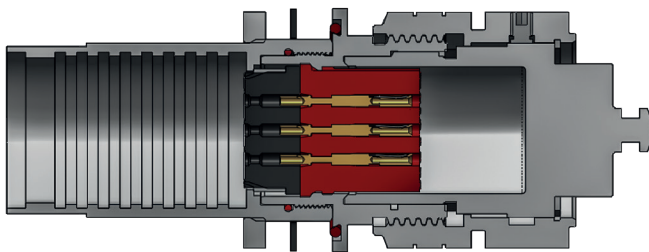
Left view



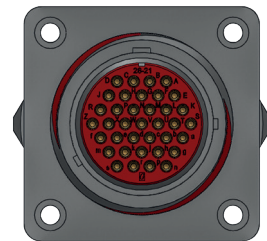
Front view



Section view



Front view without cap



Cable Range Dimensions for Panel Mount		
Shell Size	Cable Type (1)	Cable Jacket Range [mm]
36	Unarmoured cable	23,4 to 41,25
28	Unarmoured cable	15,50 to 35,00
16	Unarmoured cable	8,00 to 19,00
14S	Unarmoured cable	5,84 to 11,12
10SL	Unarmoured cable	4,5 to 11,12

(1) Armoured cables may be used but the armour cannot be engaged.