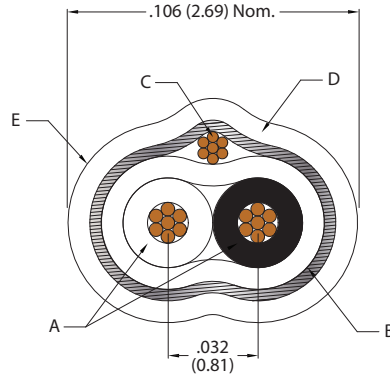


100 Ohm Differential Twisted Pair Cable with Drain, #28 AWG
963-057-28

100 OHM DIFFERENTIAL TWISTED PAIR CABLE



Cable Construction		
A.	Primary Conductor	28 AWG 7/36 SCA
	Primary Insulation	FEP (Color: White, Black)
B.	Insulation	ePTFE Tape
C.	Drain Wire	30 AWG 7/38 SCA
D.	Shield	Aluminized Kapton Tape (Foil-Side In), 100% Coverage
E.	Jacket	FEP, White
Bend Radius: 0.6" min.		
Weight: 2.2 g/ft., nom.		

Electrical Performance	
Dielectric Withstanding Voltage (VRMS)	600V AC
Differential Impedance	$100 \pm 6 \text{ Ohm}$
Insertion Loss	See Table 1
Skew	4 ps / Ft., nom.

Environmental Properties	
Temperature Range	-65°C to 200°C

Attenuation		
Frequency (GHz)	dB / ft Typical	dB / ft Maximum
1.0	0.3	0.4
2.5	0.6	0.7
5	0.8	1.0
7.5	1.1	1.3
10	1.3	1.5