

SERIES 80 MIGHTY MOUSE CONNECTORS Accessories, Backshells, and Tools



Series 805 Mighty Mouse Pressure Seal, Dust and Immersion Resistant ProSeal™ Covers



How to Order 667-424					
Sample Part Number		667-424	NF	13	T1 J
Series	ProSeal protective cover for Series 805 Mighty Mouse jam-nut or wall mount connectors				
Material / Finish	See Table II				
Shell Size	See Table I				
Panel Thickness	See Table III				
Type of Mounting	J = Jam Nut Mount Receptacle W = Wall Mount Receptacle				

- Pressure seal, dust and immersion resistant
- Self-aligning
- Positive spring-action in closed position. Locks open at approximately 105° from receptacle face.

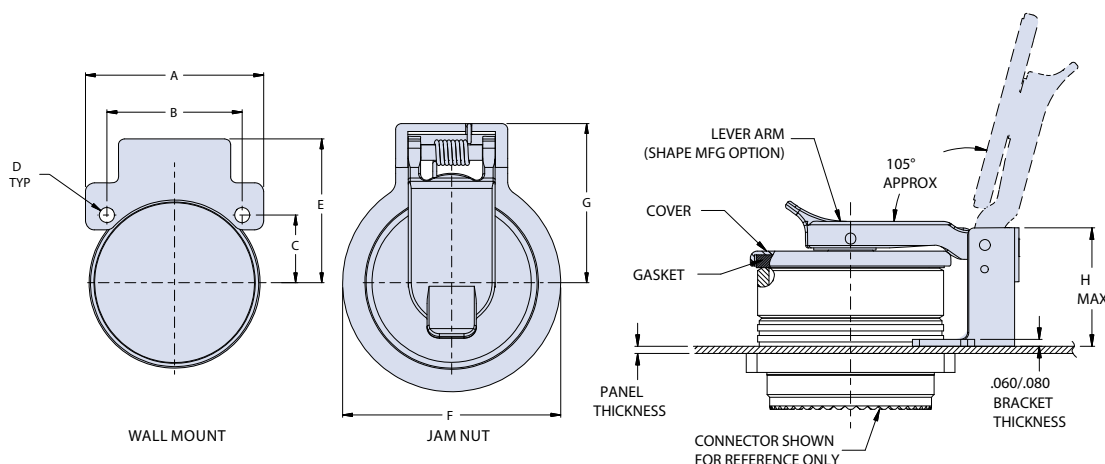


Table II: Material and Finish

Sym	Material	Finish
MT	Aluminum	Nickel-PTFE
ZR		Zinc-Nickel, Black (Tri-Valent CR)
M		Electroless Nickel
NF		Cad Plate / Olive Drab over Electroless Nickel
C		Anodize / Black
UC		Zinc Cobalt / Black

Table III: Panel Thickness

Dash No.	Panel Thickness* ±.030 (.76)		H max			
			Jam Nut		Wall Mount	
	in	mm	in	mm	in	mm
T0	.000	.00	N/A	N/A	.937	23.80
T1	.062	1.57	.993	25.22	.875	22.23

*Cover fits nominally onto panel with .062" (1.57mm) thickness, but will also work for panels as thin as .031" (.79mm)

Table I: Dimensions

Shell Size	Wall Mount										Jam Nut Mount			
	A Dim		B Dim		C Dim		D ±.002 (.05)		E ±.031 (.79)		F ±.031 (.79)		G ±.031 (.79)	
	in	mm	in	mm	in	mm	in	mm	in	mm	in	mm	in	mm
08	.850	21.59	.660	16.76	.330	8.38	.094	2.39	.675	17.15	.768	19.51	.721	18.31
09	.913	23.19	.723	18.36	.362	9.19	.094	2.39	.724	18.39	.906	23.01	.790	20.07
10	.975	24.77	.785	19.94	.393	9.98	.094	2.39	.758	19.25	.906	23.01	.790	20.07
11	1.039	26.39	.848	21.54	.424	10.77	.094	2.39	.780	19.81	.977	24.82	.825	20.96
12	1.099	27.91	.909	23.09	.455	11.56	.094	2.39	.824	20.93	1.046	26.57	.860	21.84
13	1.163	29.54	.973	24.71	.487	12.37	.094	2.39	.851	21.62	1.116	28.35	.895	22.73
15	1.288	32.72	1.058	26.87	.529	13.44	.128	3.25	.967	24.56	1.256	31.90	.982	24.94
18	1.475	37.47	1.255	31.88	.628	15.95	.128	3.25	1.062	26.97	1.465	37.21	1.087	27.61
19	1.537	39.04	1.327	33.71	.664	16.87	.128	3.25	1.070	27.18	1.535	38.99	1.122	28.50
21	1.663	42.24	1.452	36.88	.726	18.44	.128	3.25	1.148	29.16	1.674	42.52	1.194	30.33
23	1.787	45.39	1.570	39.88	.785	19.94	.128	3.25	1.340	34.04	1.814	46.08	1.394	35.41

MATERIAL / FINISH

- Cover, lever arm, gimbal: thermoplastic / black
- Bracket - see Table II
- Spring / pin / rivet - 300 series sst / passivate
- Sleeve - Delrin
- Gasket - silicone