

SERIES 80 MIGHTY MOUSE CONNECTORS Accessories, Backshells, and Tools



Series 801 Mighty Mouse Pressure Seal, Dust and Immersion Resistant, ProSeal™ Covers



How to Order 667-497						
Sample Part Number		667-497	NF	10	T1	W
Series	ProSeal protective cover for Series 801 Mighty Mouse connectors					
Material / Finish	See Table II					
Shell Size	See Table I					
Panel Thickness	See Table III					
Type of Mounting	W = Wall Mount Receptacle					

- Pressure seal, dust and immersion resistant
- Self-aligning
- Positive spring-action in closed position. Locks open at approximately 120° from receptacle face.

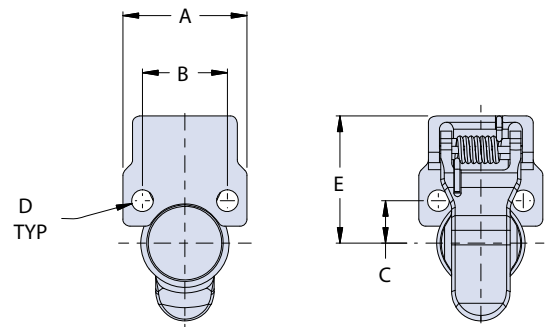


Table I: Dimensions										
Shell Size	Wall Mount									
	A Dim		B Dim		C Dim		D ±.002 (.05)		E ±.031 (.79)	
	in	mm	in	mm	in	mm	in	mm	in	mm
8	.712	18.08	.545	13.84	.273	6.93	.094	2.39	.651	16.54
9	.851	21.62	.607	15.42	.304	7.72	.128	3.25	.724	18.39
10	.890	22.61	.670	17.02	.335	8.51	.128	3.25	.758	19.25
11	.935	23.75	.715	18.16	.358	9.09	.128	3.25	.781	19.84
13	1.030	26.16	.812	20.62	.406	10.31	.128	3.25	.850	21.59
16	1.219	30.96	.981	24.92	.491	12.47	.128	3.25	1.012	25.70
17	1.280	32.51	1.060	26.92	.530	13.46	.128	3.25	1.043	26.49
19	1.432	36.37	1.191	30.25	.596	15.14	.128	3.25	1.043	26.49
21	1.565	39.75	1.322	33.58	.661	16.79	.128	3.25	1.151	29.24

Consult factory for additional shell sizes

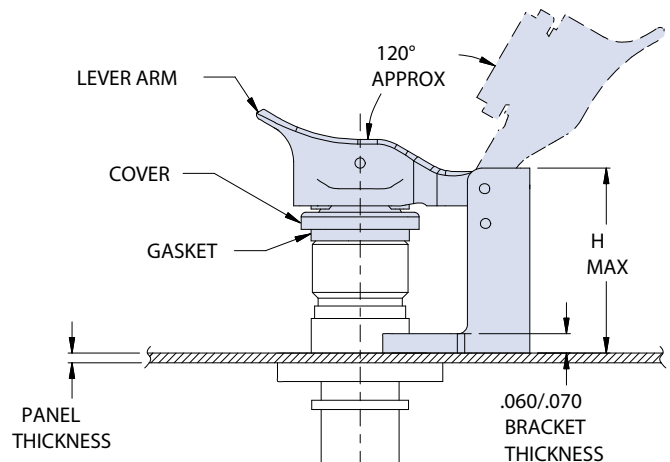


Table II: Material and Finish		
Sym	Material	Finish
MT	Aluminum	Nickel-PTFE
ZR		Zinc-Nickel, Black (Tri-Valent CR)
M		Electroless Nickel
NF		Cad Plate / Olive Drab over Electroless Nickel
C		Anodize / Black
UC		Zinc Cobalt / Black

Table III: Panel Thickness					
Dash No.	Panel Thickness*		Shell Size	H Max	
	in	mm		in	mm
T0	.000	.00	5-8	.593	15.06
			9-21	.692	17.58
T1	.062	1.57	5-8	.531	13.49
			9-21	.630	16.00

*Cover fits nominally onto panel with .062" (1.57mm) thickness, but will also work for panels as thin as .031" (.79mm)

MATERIAL / FINISH

- Cover, Lever Arm, Gimbal - Thermoplastic / Black
- Bracket - see Table II
- Spring / Pin / Rivet - 300 Series SST / Passivate
- Sleeve - Delrin
- Gasket - Silicone (optional)