



SERIES 80 MIGHTY MOUSE CONNECTORS Accessories, Backshells, and Tools



Series 801 Mighty Mouse Threaded Closure, Full Environmental, ProSeal™ Covers



How to Order 667-509					
Sample Part Number	667-509	NF	10	T1	W
Series	ProSeal protective cover for Series 801 Mighty Mouse connectors				
Material / Finish	See Table II				
Shell Size	See Table I				
Panel Thickness	See Table III				
Type of Mounting	W = Wall Mount Receptacle				

- Threaded closure
- Full environmental protection
- Self-aligning
- Positive spring-action in closed position. Locks open at approximately 120° from receptacle face.

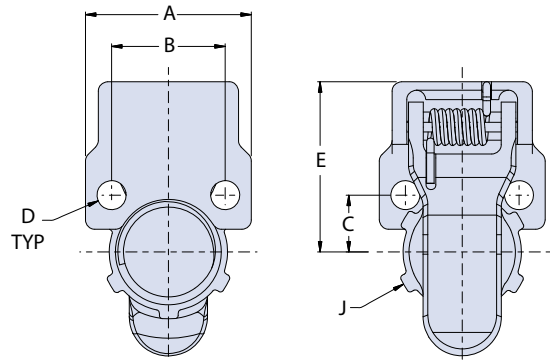


Table I: Dimensions												
Shell Size	Wall Mount											
	A Dim		B Dim		C Dim		D ±.002 (.05)		E ±.031 (.79)		J Dia max	
	in	mm	in	mm	in	mm	in	mm	in	mm	in	mm
8	.712	18.08	.545	13.84	.273	6.93	.094	2.39	.651	16.54	.651	16.54
9	.851	21.62	.607	15.42	.304	7.72	.128	3.25	.724	18.39	.710	18.03
10	.890	22.61	.670	17.02	.335	8.51	.128	3.25	.758	19.25	.776	19.71
11	.935	23.75	.715	18.16	.358	9.09	.128	3.25	.781	19.84	.842	21.39
13	1.030	26.16	.812	20.62	.406	10.31	.128	3.25	.850	21.59	.968	24.59
16	1.219	30.96	.981	24.92	.491	12.47	.128	3.25	1.012	25.70	1.158	29.41
17	1.280	32.51	1.060	26.92	.530	13.46	.128	3.25	1.043	26.49	1.217	30.91
19	1.432	36.37	1.191	30.25	.596	15.14	.128	3.25	1.043	26.49	1.344	34.14
21	1.565	39.75	1.322	33.58	.661	16.79	.128	3.25	1.151	29.24	1.469	37.31

Consult factory for additional shell sizes

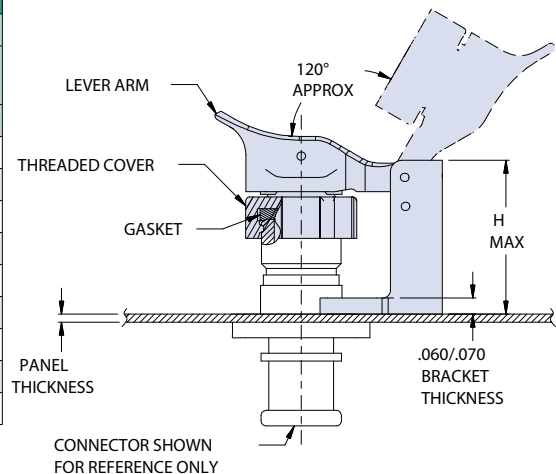


Table II: Material and Finish		
Sym	Material	Finish
MT	Aluminum	Nickel-PTFE
ZR		Zinc-Nickel, Black (Tri-Valent CR)
M		Electroless Nickel
NF		Cad Plate / Olive Drab over Electroless Nickel
C		Anodize / Black
UC		Zinc Cobalt / Black

Table III: Panel Thickness					
Dash No.	Panel Thickness*		Shell Size	H Max	
	in	mm		in	mm
T0	.000	.00	5-8	.593	15.06
			9-21	.692	17.58
T1	.062	1.57	5-8	.531	13.49
			9-21	.630	16.00

*Cover fits nominally onto panel with .062" (1.57mm) thickness, but will also work for panels as thin as .031" (.79mm)

MATERIAL / FINISH

- Cover, Lever Arm, Gimbal - Thermoplastic / Black
- Bracket - see Table II
- Spring / Pin / Rivet - 300 Series SST / Passivate
- Sleeve - Delrin
- Gasket - Silicone (optional)