



SERIES 80 MIGHTY MOUSE CONNECTORS Accessories, Backshells, and Tools



Series 803 Mighty Mouse Plug and Receptacle 1/4 Turn Bayonet Metal Protective Cover



Protect Connectors From Damage

Machined aluminum covers prevent ingress of contamination and water.

Stainless Steel Fittings and Rings

Choose small diameter eye fittings for panel attachment. Larger rings fit under the jam nut or over cable jackets. Split rings can be installed on fully assembled cables.

Polyurethane-Coated SST Wire Rope offers high strength, excellent abrasion resistance and good flexibility or choose Fluoropolymer jacket for high temperature exposure.

Braided Nylon Rope

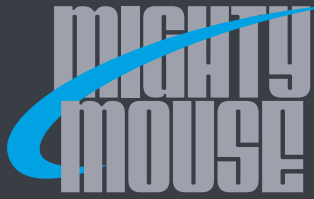
provides excellent flexibility and good abrasion resistance, and can be ordered with slip knot fittings for easy installation on any size cable.

ACCESSORIES, BACKSHELLS, AND TOOLS

How To Order	
Sample Part Number	660-082 -M S 12 04 -6
Series (See Table I)	660-082 = Plug Cover 660-083 = Receptacle Cover
Shell Material / Finish	<p>C = Aluminum / Black Anodize (Non-Conductive) RoHS Compliant</p> <p>M = Aluminum / Electroless Nickel RoHS Compliant</p> <p>NF = Aluminum / Cadmium with Olive Drab Chromate</p> <p>ZN = Aluminum / Zinc-Nickel with Olive Drab Chromate</p> <p>UCR = Aluminum / Zinc-Cobalt with Black Chromate RoHS Compliant</p> <p>ZNU = Aluminum / Zinc-Nickel with Black Chromate</p> <p>MT = Aluminum / Nickel-PTFE RoHS Compliant</p> <p>Z1 = Stainless Steel / Passivated RoHS Compliant</p>
Attachment Type	<p>D = Bead Chain, CRES, Passivate</p> <p>F = Wire Rope, Nylon Jacket</p> <p>G = Nylon Rope</p> <p>H = SST Wire Rope, Fluoropolymer Jacket</p> <p>N = No Attachment</p> <p>R = Wire Rope, PVC Jacket</p> <p>S = SST Sash Chain</p> <p>SK = Nylon Rope With Slip Knot</p> <p>T = SST Wire Rope, No Jacket</p> <p>U = SST Wire Rope, Polyurethane Jacket</p> <p>"SST" = Stainless Steel</p>
Shell Size	5, 6, 7, 8, 9, 10, 12, 14, 15
Attachment Code (See Table II)	<p>Small Ring = 01 thru 06</p> <p>Large Ring = 14 thru 33</p> <p>Split Ring = 50 thru 68</p>
Attachment Length (inches)	Omit for attachment Type N (No Attachment) Example "-6" equals six inch length

Table I: Cover Style	
660-082 Bayonet Plug Cover	660-083 Bayonet Receptacle Cover

Table II: Attachment Code	
Omit for attachment types N (No Attachment) and SK (Slip Knot)	
	<p>01 - .126 (3.20) I.D.</p> <p>02 - .145 (3.68) I.D.</p> <p>04 - .188 (4.78) I.D.</p> <p>06 - .197 (5.00) I.D.</p>
	<p>14 - .385 (9.8)</p> <p>15 - .445 (11.3)</p> <p>16 - .570 (14.5)</p> <p>17 - .635 (16.1)</p> <p>18 - .695 (17.7)</p> <p>19 - .885 (22.5)</p> <p>20 - 1.070 (27.2)</p> <p>21 - 1.135 (28.8)</p> <p>22 - 1.210 (30.7)</p> <p>23 - 1.275 (32.4)</p> <p>25 - 1.530 (38.9)</p> <p>26 - .950 (24.1)</p> <p>27 - .766 (19.5)</p> <p>28 - 1.015 (25.8)</p> <p>29 - .315 (8.0)</p> <p>30 - 1.380 (35.1)</p> <p>31 - .820 (20.8)</p> <p>32 - .265 (6.7)</p> <p>33 - .510 (13.0)</p>
	<p>50 - .420 (10.67) I.D.</p> <p>52 - .480 (12.19) I.D.</p> <p>54 - .635 (16.13) I.D.</p> <p>56 - .745 (18.92) I.D.</p> <p>58 - .885 (22.48) I.D.</p> <p>60 - 1.010 (25.65) I.D.</p> <p>64 - 1.125 (28.58) I.D.</p> <p>68 - 1.345 (34.16) I.D.</p>

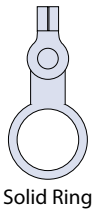
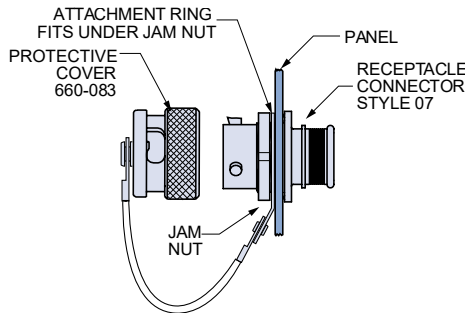


SERIES 80 MIGHTY MOUSE CONNECTORS Accessories, Backshells, and Tools



Series 803 Mighty Mouse Plug and Receptacle 1/4 Turn Bayonet Metal Protective Cover

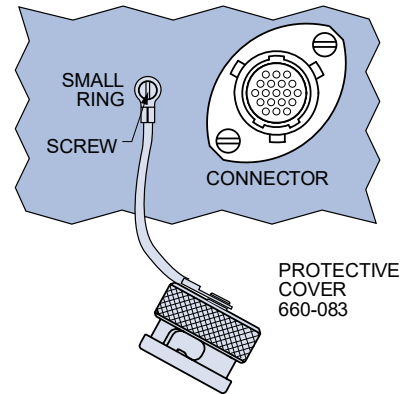
660-083 Cover Attachment to RPM Jam Nut Receptacle



Solid Ring

Attch. Code	Shell Size	Ring I.D.		Ring O.D.	
		In. ±.010	mm. ±0.25	In. ±.015	mm. ± 0.38
14	5	.385	9.78	.51	12.95
15	6	.445	11.30	.57	14.48
16	7	.570	14.48	.69	17.53
17	8, 9	.635	16.13	.76	19.30
27	10	.766	19.46	.89	22.61
19	12	.885	22.48	1.01	25.65
20	14	1.070	27.18	1.20	30.48
21	15	1.135	28.83	1.25	31.75

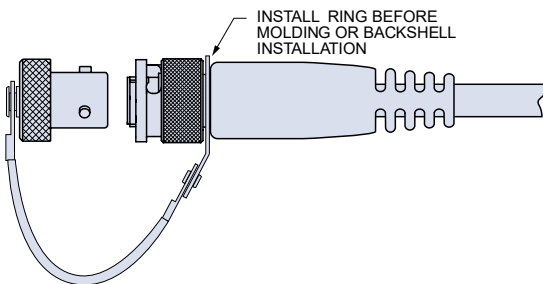
660-083 Cover Attachment to Panel



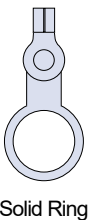
Small Ring for Attaching Receptacle Covers to a Panel with a Screw

Attch. Code	Screw Size	Ring I.D.		Ring O.D.	
		In. ±.005	mm. ±0.13	In. Max.	mm. Max.
01	#4, M3	.126	3.20	.31	7.9
02	#6	.145	3.68	.31	7.9
04	#8, M4	.188	4.78	.31	7.9
06	#10	.197	5.00	.31	7.9

660-082 & 083 Cover Attachment to Cable Assembly



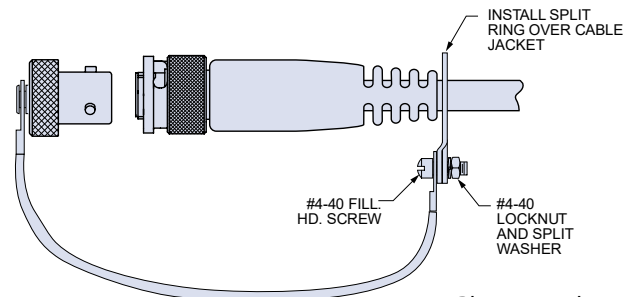
Plug cover shown



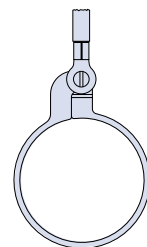
Solid Ring

Attch. Code	Shell Size	Ring I.D.		Ring O.D.	
		In. ±.010	mm. ±0.25	In. ±.015	mm. ± 0.38
29	5	.315	8.00	.44	11.18
14	6	.315	8.00	.44	11.18
33	7, 8	.510	12.95	.62	15.75
16	9	.570	14.48	.69	17.53
17	10	.635	16.13	.76	19.30
18	12	.695	17.65	.82	20.83
26	14, 15	.950	24.13	1.14	28.96

660-082 & 083 Cover Attachment to Cable

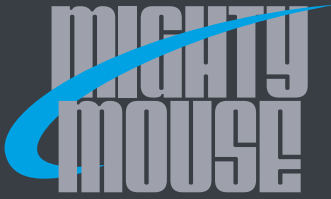


Plug cover shown



Large Split Ring for Attaching Covers to Cables

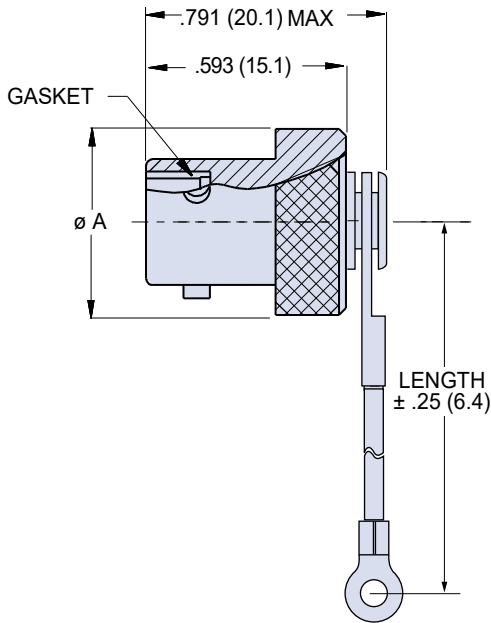
Attch. Code	Max. Cable Dia. (in.)	Ring Diameter			
		Min. ID		Max. OD	
		In.	mm.	In.	mm.
50	.410	.420	10.67	.580	14.73
52	.470	.480	12.19	.640	16.26
54	.625	.635	16.13	.796	20.22
56	.735	.745	18.92	.905	22.99
58	.875	.885	22.48	1.046	26.57
60	1.000	1.010	25.65	1.171	29.74
64	1.115	1.125	28.58	1.285	32.64
68	1.335	1.345	34.16	1.505	38.23



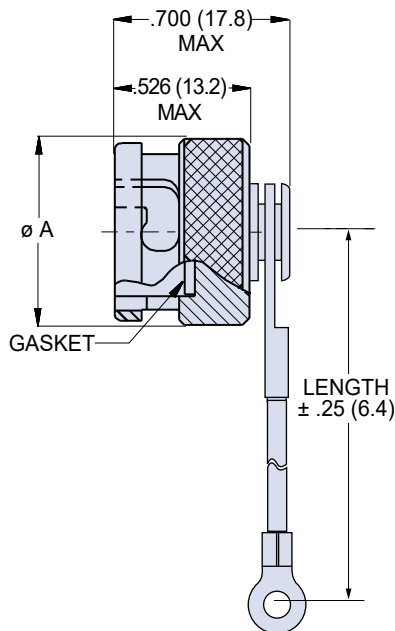
SERIES 80 MIGHTY MOUSE CONNECTORS Accessories, Backshells, and Tools



Series 803 Mighty Mouse Plug and Receptacle 1/4 Turn Bayonet Metal Protective Cover



Plug Cover
660-082



Receptacle Cover
660-083

Dimensions		
Shell Size	Ø A Max.	
	In.	mm.
5	.620	15.7
6	.620	15.7
7	.620	15.7
8	.690	17.5
9	.760	19.3
10	.850	21.6
12	.940	23.8
14	1.170	29.7
15	1.170	29.7

Lanyard Options	
<p>Nylon Rope (G)</p>	-65° to +100°C., black, very flexible, very good abrasion resistance, good resistance to fuels, .120" (3mm) diameter
<p>Polyurethane Coated Wire Rope (U)</p>	Black polyurethane over stainless steel rope, -65° to +125°C., very flexible, excellent abrasion resistance, excellent resistance to fuels, .080" (2mm) diameter
<p>Fluoropolymer Jacketed Wire Rope (H)</p>	Translucent FEP jacket over stainless steel, -65° to +200°C., fair flexibility, good abrasion resistance, .100" diameter
<p>Sash Chain (S)</p>	Stainless steel, #8 chain, .240" (6mm)
<p>Slip Knot (SK) for Attaching Covers to Cable</p>	65° to +100°C., black, very flexible, very good abrasion resistance, good resistance to fuels, .120" (3mm) diameter. Length includes .5" (13mm) diameter loop.

NOTES

- Materials and Finishes
 - Cover: aluminum alloy or stainless steel
 - Gasket: fluorosilicone rubber
 - Wire, hardware: stainless steel, passivated