



# SERIES 80 MIGHTY MOUSE CONNECTORS Accessories, Backshells, and Tools



## Series 811 Mighty Mouse High Density (HD) Plug and Receptacle Metal Protective Covers






667-218

**Protect Connectors From Damage**  
Machined aluminum covers have rubber gaskets for a watertight fit.

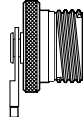
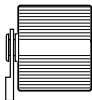
**Stainless Steel Fittings and Rings**  
Choose small diameter eye fittings for panel attachment. Larger rings fit under the jam nut or over cable jackets. Split rings can be installed on fully assembled cables.

**Polyurethane-Coated SST Wire Rope**  
offers high strength, excellent abrasion resistance, and good flexibility. Or, choose Fluoropolymer® jacket for high temperature exposure.

**Braided Nylon Rope** provides excellent flexibility and good abrasion resistance, and can be ordered with slip knot fittings for easy installation on any size cable.

Table II: Attachment Code	
Omit for attachment types N (No Attachment) and SK (Slip Knot)	
Attachment Code	Inside Diameter
<b>Small Ring</b> 	
01	.126 (3.20) I.D.
02	.145 (3.68) I.D.
04	.188 (4.78) I.D.
06	.197 (5.00) I.D.
<b>Large Ring</b> 	
14	.385 (9.78) I.D.
15	.445 (11.30) I.D.
16	.570 (14.48) I.D.
17	.635 (16.13) I.D.
18	.695 (17.65) I.D.
19	.885 (22.48) I.D.
20	1.070 (27.17) I.D.
21	1.135 (28.83) I.D.
22	1.210 (30.73) I.D.
23	1.275 (32.39) I.D.
27	.766 (19.5) I.D.
29	.315 (8.0) I.D.
32	.265 (6.7) I.D.
33	.510 (13.0) I.D.
<b>Split Ring</b> 	
50	.420 (10.67) I.D.
52	.480 (12.19) I.D.
54	.635 (16.13) I.D.
56	.745 (18.92) I.D.
58	.885 (22.48) I.D.
60	1.010 (25.65) I.D.
64	1.125 (28.58) I.D.
68	1.345 (34.16) I.D.

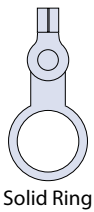
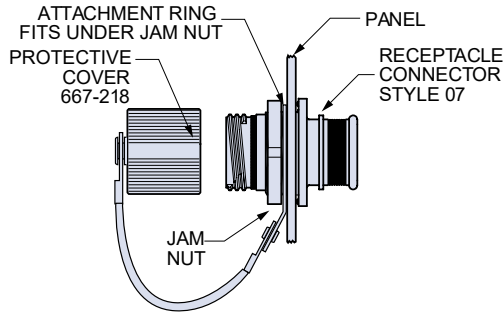
How To Order						
Sample Part Number	667-347	-ME	-G	9	04	-6
<b>Series</b> See Table I	667-347 = Protective cover for use with series 811 plugs 667-218 = Protective Cover for use with Series 811 Receptacles					
<b>Shell Material / Finish</b>	ME = Aluminum / Electroless Nickel RoHS Compliant MT = Aluminum / Nickel-PTFE RoHS Compliant ZR = Aluminum / Zinc-Nickel with Black Chromate					
<b>Attachment Type</b>	-G = Nylon Rope -H = SST Wire Rope, Fluoropolymer Jacket -N = No Attachment -S = SST Sash Chain -SK = Nylon Rope With Slip Knot -T = SST Wire Rope, No Jacket -U = SST Wire Rope, Polyurethane Jacket "SST" = Stainless Steel					
<b>Shell Size</b>	5, 6, 7, 8, 9					
<b>Attachment Code</b> See Table II	Small ring = 01, 02, 04, 06 Large ring = 14, 15, 16, 17, 18, 19, 20, 21, 22, 23, 27, 29, 32, 33 Split ring = 50, 52, 54, 56, 58, 60, 64, 68					
<b>Attachment Length in Inches</b>	Omit for attachment Type N (No Attachment) Example: "-6" equals six inch length					

Table I: Cover Style	
	
667-347 Plug Cover	667-218 Receptacle Cover

ACCESSORIES, BACKSHELLS, AND TOOLS

## Series 811 Mighty Mouse High Density (HD) Plug and Receptacle Metal Protective Covers

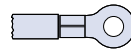
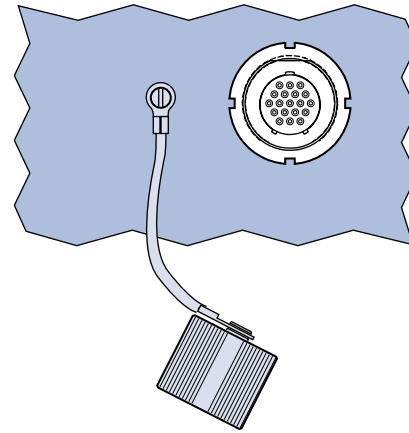
### 667-218 Cover Attachment to RPM Jam Nut Receptacle



Solid Ring

Attch. Code	Shell Size	Ring I.D. ± .010 (±0.25)	Ring O.D. ± .015 (± 0.38)
<b>14</b>	5	.385 (9.78)	.510 (12.95)
<b>15</b>	6	.445 (11.30)	.565 (14.35)
<b>16</b>	7, 8	.570 (14.48)	.685 (17.40)
<b>17</b>	9	.635 (16.13)	.760 (19.30)

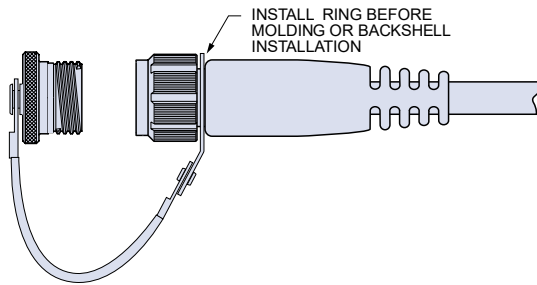
### 667-218 Cover Attachment to Panel with Screw



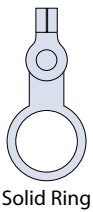
Small Ring for Attaching Receptacle Covers to a Panel with a Screw

Attch. Code	Screw Size	Ring I.D.	Ring O.D.
		±.005	Max.
<b>01</b>	#4, M3	.126 (3.20)	.31 (7.87)
<b>02</b>	#6	.145 (3.68)	.31 (7.87)
<b>04</b>	#8, M4	.188 (4.78)	.31 (7.87)
<b>06</b>	#10	.197 (5.00)	.31 (7.87)

### 667-347 Cover Attachment to Cable Assembly



Plug cover shown

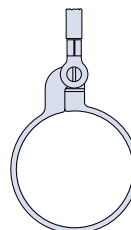
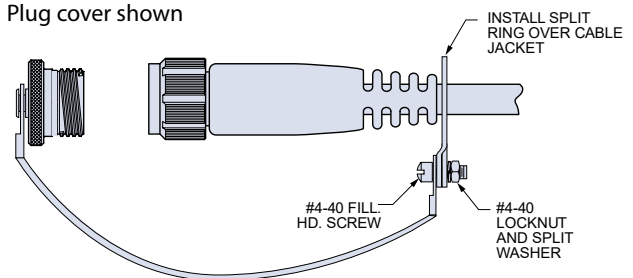


Solid Ring

Attch. Code	Shell Size	Ring I.D. ± .010 (0.25)	Ring O.D. ± .015 (0.38)
<b>14</b>	5,6	.385 (9.78)	.510 (12.95)
<b>15</b>	7	.445 (11.30)	.565 (14.35)
<b>16</b>	8, 9	.570 (14.48)	.685 (17.40)

### 667-347 Cover Attachment to Cable

Plug cover shown



Large Split Ring for Attaching Covers to Cables

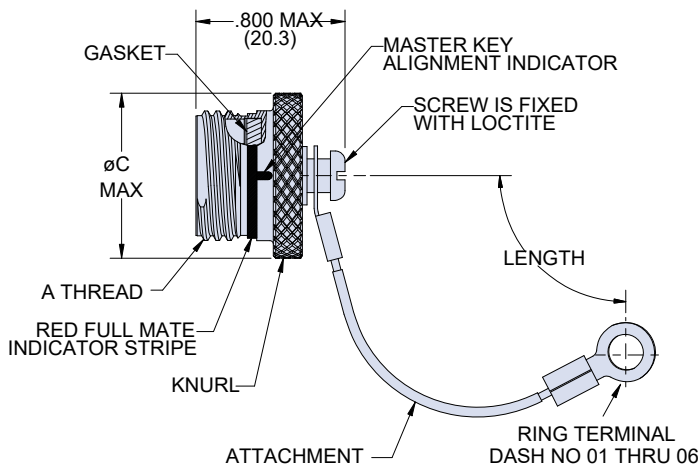
Attch. Code	Max. Cable Dia. (in.)	Ring Diameter	
		Min. ID	Max. OD
<b>50</b>	.410	.420	.580
<b>52</b>	.470	.480	.640
<b>54</b>	.625	.635	.796
<b>56</b>	.735	.745	.905
<b>58</b>	.875	.885	1.046
<b>60</b>	1.000	1.010	1.171
<b>64</b>	1.115	1.125	1.285
<b>68</b>	1.335	1.345	1.505



# SERIES 80 MIGHTY MOUSE CONNECTORS Accessories, Backshells, and Tools



## Series 811 Mighty Mouse High Density (HD) Plug and Receptacle Metal Protective Covers

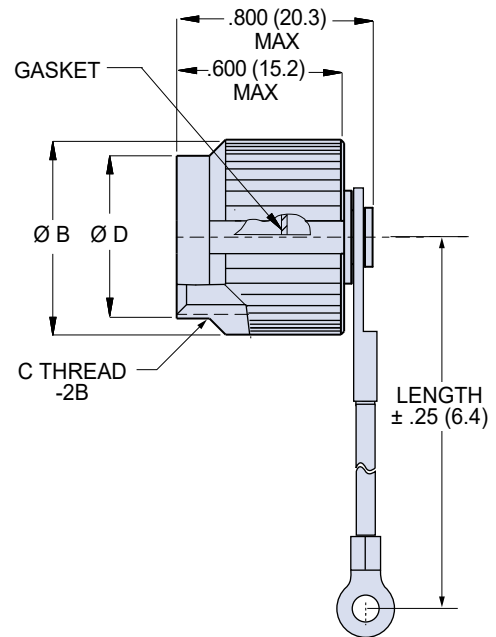


**667-347 Plug Cover**

Dimensions			
Shell Size	A Max.	B Max.	C Thread
5	.465 (11.81)	.488 (12.40)	.3125-.05P-.1L
6	.525 (13.34)	.555 (14.10)	.3750-.05P-.1L
7	.590 (14.99)	.615 (15.62)	.4375-.05P-.1L
8	.653 (16.59)	.675 (17.15)	.5000-.05-.1L
9	.715 (18.16)	.840 (21.34)	.5625-.05P-.1L

### NOTES

- Materials and Finishes
  - Cover: aluminum alloy or stainless steel
  - Gasket: silicone rubber
  - Wire, hardware: stainless steel, passivated



**667-218 Receptacle Cover**

Lanyard Options	
 Nylon Rope	-65° to +100°C., black, very flexible, very good abrasion resistance, good resistance to fuels, .120" (3mm) diameter
 Polyurethane Coated Wire Rope	Black polyurethane over stainless steel rope, -65° to +125°C., very flexible, excellent abrasion resistance, excellent resistance to fuels, .080" (2mm) diameter
 Fluoropolymer Jacketed Wire Rope	Translucent FEP jacket over stainless steel, -65° to +200°C., fair flexibility, good abrasion resistance, .100" diameter
 Sash Chain	Stainless steel, #8 chain, .240" (6mm)
 Slip Knot (SK) for Attaching Covers to Cable	65° to +100°C., black, very flexible, very good abrasion resistance, good resistance to fuels, .120" (3mm) diameter. Length includes .5" (13mm) diameter loop.