

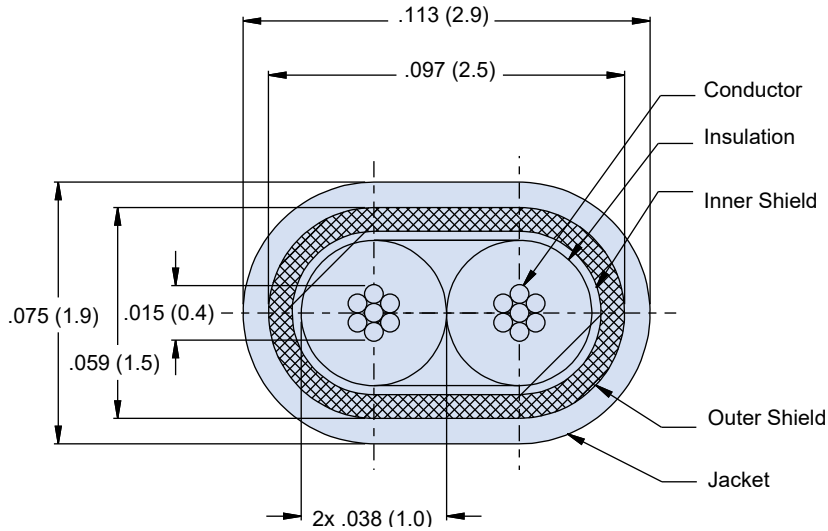
SERIES 80 MIGHTY MOUSE COMPATIBLE

High-Speed Bulk Cable



100 Ohm Differential Parallel Pair Data Cable

963-001: 100 OHM DIFFERENTIAL PARALLEL PAIR DATA CABLE



Properties	
Impedance	100 Ohms ± 10
Attenuation	0.25 dB/m @ 100 MHz .075 dB/m @ 500 MHz 1.25 dB/m @ 1000 MHz
Impedance	100 ± 10 Ohms
Capacitance	12.0 pF/ft (nom)
Velocity of Propagation	80%
Temperature Rating	150°C

Construction Details		
Data Pair	Conductor	2x 28 AWG (7/36) silver plated high strength copper alloy (.015" OD)
	Insulation	Extruded Foamed Fluoropolymer (.038")
	Colors	Blue and white
	Shield Coverage	Silver plated copper, 38 AWG, 95% minimum
Inner Shield		Aluminum/ Polyester tape, 100% coverage
Outer Shield		Round silver plated copper braid, 90% coverage
Jacket		Extruded FEP
Color		Transparent blue

NOTES

- Cable identified with manufacturer's name and part number.
- Cable is sold in 1 foot increments. Specify desired length on purchase order.

SERIES 80 HIGH-SPEED BULK CABLE