



SERIES 80 Mighty Mouse Contacts and Tools

Size #12 Crimp or Pneumatic



SIZE #12 CRIMP CONTACTS



Standard size #12 contacts accept #12 to #14 AWG wire. At rated test current of 23 amps, the maximum voltage drop is 63 millivolts. Contacts are gold-plated copper alloy. Socket contacts feature stainless steel hoods to protect against probe damage. Approved to SAE AS39029. Contacts are bulk packaged. Terminate with M22520/1-01 crimper and M22520/1-04 positioner.

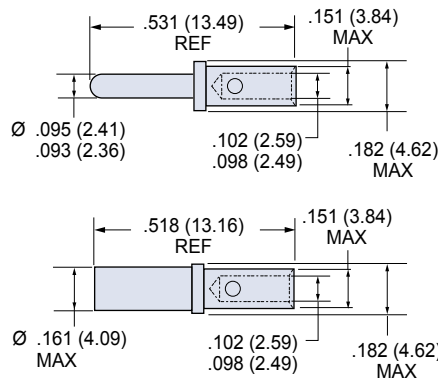
Contact Type	Wire Size	Part Number	Military Part Number	Color Band		
				1st	2nd	3rd
Pin	#12 – #14	809-112	M39029/58-365	Orange	Blue	Green
Socket	#12 – #14	809-113	M39029/57-359	Orange	Green	White

#12 Socket Contact

NOTES

Specifications

- Current rating: 23 amps
- Max operating temp: +125°C
- Minimum separation force: 3 oz.
- Maximum engagement force: 30 oz.
- Max contact millivolt drop at 23 amps: 42 millivolts at 25°C; 63 millivolts at 125°C, silver plated wire



Contact Crimp and Removal Tools

Description	Glenair P/N	Military P/N
Hand Crimp Tool	809-136	M22520/1-01
Pin/Skt Positioner	809-138	M22520/1-04
Pin/Skt Insertion Tool	809-132	M81969/14-04

SIZE #12 PNEUMATIC CONTACTS



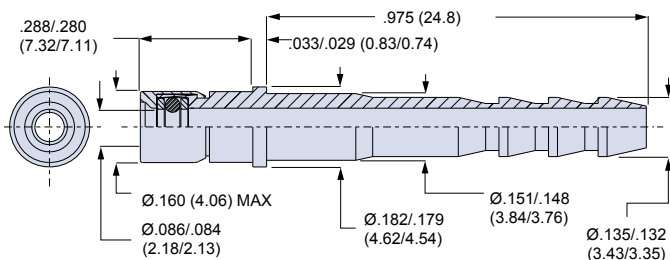
Stainless steel pneumatic contacts attach to 3/32 inch (2.38) diameter tubing. Socket contact has o-ring and PTFE backup washers. Contacts snap into size #12 connector cavities. Ideal for pitot tube connections, these pneumatic contacts are rated for 100 PSI maximum air pressure. No installation tool is required. Remove contacts with plastic extraction tool 809-132.

Contact Type	Tube I.D.	Part Number
Pin	.094 (2.38)	830-004
Socket	.094 (2.38)	830-003

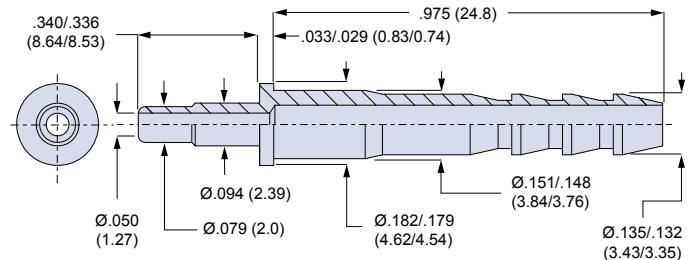
NOTES

Material and Finish

- Body and Cap: stainless steel, passivated
- O-ring: fluorosilicone
- Washers: PTFE



830-004 Socket Contact



830-003 Pin Contact