

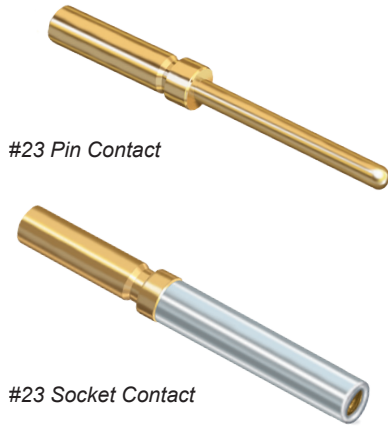
SERIES 80

# Mighty Mouse Contacts and Tools

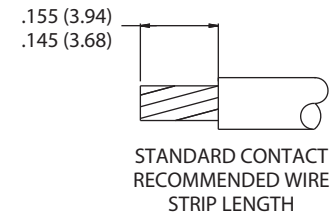
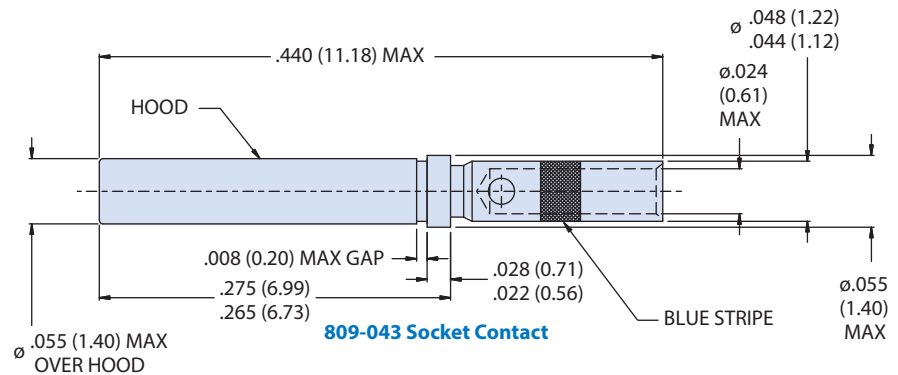
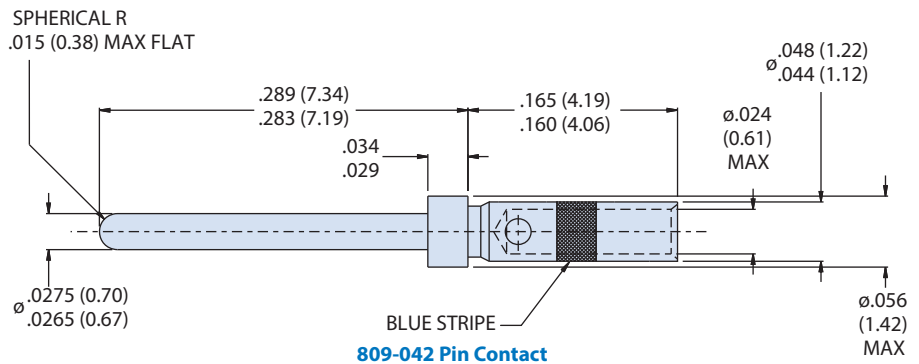


## Size #23 Small-Bore Pin and Socket Contacts for use with Size #26 to 30 AWG Wire

### SIZE #23 CRIMP CONTACTS FOR 26 TO 30 AWG WIRE



Select "small-bore" contacts for termination to size #26 to #30 AWG wire. Contacts are bulk packaged. Terminate with standard M22520 crimper with special positioner.



#### NOTES

##### Material:

- Pin: beryllium copper per ASTM B196 or B197
- Socket: beryllium copper per ASTM B197
- Socket hood: SST per QQ-S-763

##### Finish:

- Pin and socket contact: 50 microinches minimum, gold plating per ASTM B 488 over nickel underplating
- Socket hood: passivated per QQ-P-35

##### Specifications

- Current Rating: 5 Amps maximum
- Voltage Drop (at 5 Amps and 25° C): 70 millivolts maximum
- Temperature Range: -65° to +175° C.
- Socket Contact Minimum Separation Force: 0.5 ounces
- Minimum separation force 0.5 oz. (MS3197-23X1 Pin)
- Maximum engagement force 8.0 oz. (MS3197-23Y1 Pin)
- Contacts packaged in bulk

Contact Crimp and Removal Tools		
Tool	Glenair P/N	Military P/N
Hand Crimp Tool	<b>809-015</b>	M22520/2-01
Small Bore Positioner	<b>809-057</b>	N/A
Contact Insertion/Removal Tool	<b>809-088</b>	N/A

Size #23 Removable Crimp Contacts				
Contact Type	Wire Size	Material	Part Number	Color Band
Pin	#26 - #30	BeCu	<b>809-042</b>	Blue
Socket	#26 - #30	BeCu	<b>809-043</b>	Blue

Crimp Tensile Strength (Values are in pounds)		
Wire Gage	Axial Load	Positioner Setting
#26	5 lbs	5
#28	3 lbs	4
#30	1.5 lbs	3

CONTACTS AND TOOLS