

# SERIES 800 UN THREAD MATING Mighty Mouse Connectors and Cables



## Right-Angle Jam-Nut Receptacle with PC Tails



**Printed Circuit Board Right Angle I/O Header** features gold-plated size #23 contacts. UN mating thread, and aluminum or stainless steel shells. Rubber seal protects mated connectors from water ingress. 5 amp current rating, 500 VAC voltage rating. Contacts are factory-installed and are non-removable. Thermoplastic rear housing has #2-56 threaded inserts for attaching to circuit board with customer-supplied mounting screws. Connectors attach to chassis or panel with low-profile jam-nut and O-ring. Available in six contact arrangements, these right angle headers are ideal for hostile environments where 100/100BASE-T Ethernet RJ-45 commercial-grade jacks are not advised.

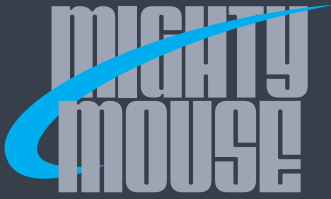
How To Order	
<b>Sample Part Number</b>	<b>800-032 -07 M 7-10 P Z</b>
<b>Series</b>	<b>800-032</b> PCB Receptacle
<b>Shell Style</b>	<b>-07</b> = Jam-Nut
<b>Shell Material and Finish</b>	<b>C</b> = Aluminum / Black Anodize (Non-Conductive) <b>M</b> = Aluminum / Electroless Nickel <b>NF</b> = Aluminum / Cadmium with Olive Drab Chromate <b>ZNU</b> = Aluminum / Zinc-Nickel with Black Chromate <b>MT</b> = Aluminum / Nickel-PTFE <b>Z1</b> = Stainless Steel / Passivated
<b>Shell Size - Insert Arrangement</b>	<b>5-3, 6-1, 6-4, 6-6, 6-7, 7-1, 7-10, 8-2, 8-13, 9-4, 9-19, 9-200, 10-2, 10-5, 10-201</b>
<b>Contact Type</b>	<b>P</b> = Pin, PC Tail <b>S</b> = Socket, PC Tail
<b>Shell Key Position (See Table I)</b>	<b>N</b> = Normal <b>X</b> = Pos. X <b>Y</b> = Pos. Y <b>Z</b> = Pos. Z

Table II: Shell Key Positions (See Note 1 and 2)	
Shell Size 5 & 6	Shell Size 7, 9 and 10
<b>Key Position</b>	<b>Key Rotation</b>
<b>N</b> Normal	150°
<b>X</b>	140°
<b>Y</b>	130°
<b>Z</b>	120°

### NOTES

- Shell sizes 5 thru 6: master key is located at top dead center (TDC) for normal (N) position.
- Shell size 7 thru 12: master key is rotated 90° from TDC for normal position
- Material / finish:
  - Receptacle shell, jam-nut: aluminum alloy or CRES / see How to Order Table
  - Insulator: High Grade Rigid Dielectric / N.A.
  - Interfacial seal, O-ring: fluorosilicone
  - Contact: copper alloy / gold plate per ASTM B 488, Type II, Class 1.25, over a suitable underplate
  - Potting: epoxy

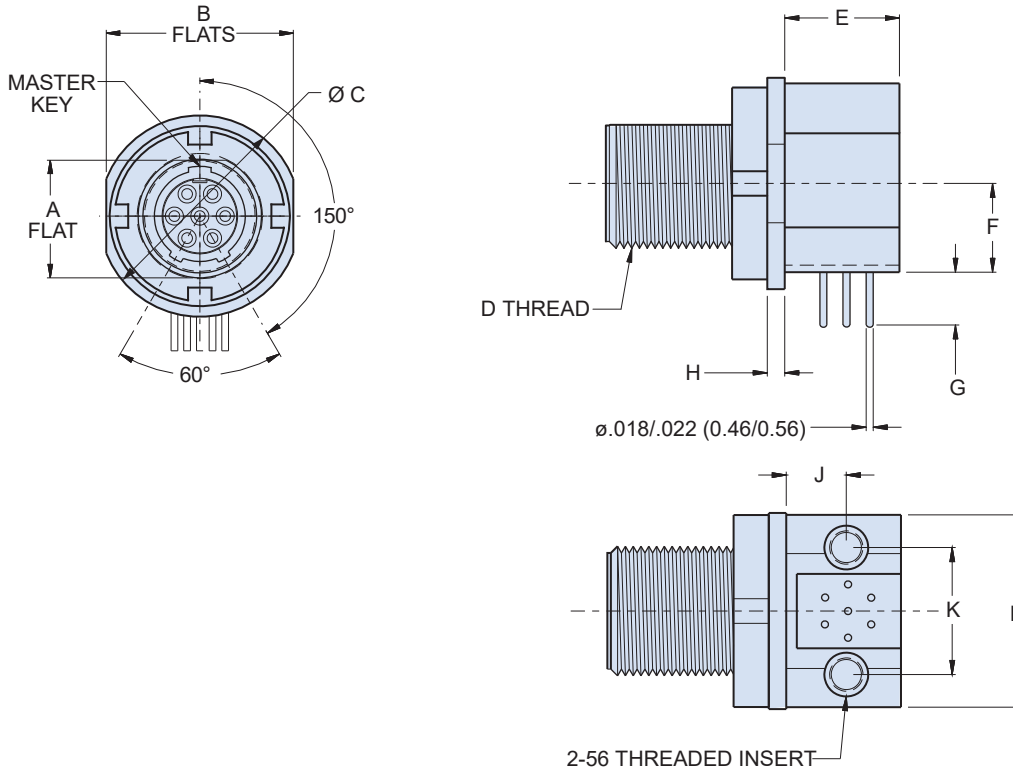
SERIES 800 UN THREAD MATING



SERIES 800 UN THREAD MATING  
**Mighty Mouse Connectors and Cables**  
 Right-Angle Jam-Nut Receptacle  
 with PC Tails

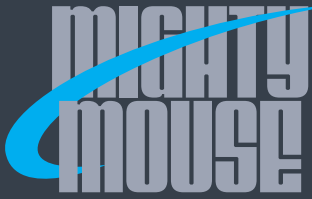


**RIGHT-ANGLE JAM-NUT MOUNT PCB RECEPTACLE - SHELL STYLE 07**



Dimensions											
Size - Arr	A Flat ±.005 (±0.13)	B Flat	Ø C	D Threads	E	F	G ±.035 (±0.89)	H ±.005 (±0.13)	J	K	L
5-3	.282 (7.16) .291 (7.39)	.497 (12.62)	.538 (13.67)	.3125-28 UN-2A	.260 (6.60)	.235 (5.97)	.257 (6.53)	.050 (1.27)	.165 (4.19)	.310 (7.87)	.49 (12.45)
6-1	.350 (8.89) .359 (9.12)	.559 (14.20)	.602 (15.29)	.3750-28 UN-2A	.350 (8.89)	.225 (5.72)	.285 (7.24)	.050 (1.27)	.224 (5.69)	.385 (9.78)	.58 (14.73)
6-4		.559 (14.20)	.602 (15.29)	.3750-28 UN-2A	.330 (8.38)	.225 (5.72)	.285 (7.24)	.050 (1.27)	.224 (5.69)	.385 (9.78)	.58 (14.73)
6-6,6-7		.559 (14.20)	.602 (15.29)	.3750-28 UN-2A	.350 (8.89)	.225 (5.72)	.285 (7.24)	.050 (1.27)	.187 (4.75)	.408 (10.36)	.58 (14.73)
7-1	.409 (10.39)	.643 (16.33)	.664 (16.87)	.4375-28 UNEF-2A	.350 (8.89)	.296 (7.52)	.200 (5.08)	.092 (2.34)	.170 (4.32)	.452 (11.48)	.71 (18.03)
7-10	.418 (10.62)	.643 (16.33)	.664 (16.87)	.4375-28 UNEF-2A	.350 (8.89)	.296 (7.52)	.274 (6.96)	.092 (2.34)	.170 (4.32)	.452 (11.48)	.71 (18.03)
8-2	.471 (11.96)	.731 (18.57)	.770 (19.56)	.5000-28 UN-2A	.490 (12.45)	.320 (8.13)	.336 (8.53)	.092 (2.34)	.230 (5.84)	.490 (12.45)	.71 (18.03)
8-13	.480 (12.19)	.731 (18.57)	.770 (19.56)	.5000-32 UN-2A	.490 (12.45)	.320 (8.13)	.315 (8.00)	.092 (2.34)	.230 (5.84)	.490 (12.45)	.71 (18.03)
9-4	.528 (13.41) .537 (13.64)	.803 (20.40)	.872 (22.15)	.5625-28 UN-2A	.490 (12.45)	.362 (9.19)	.288 (7.32)	.092 (2.34)	.342 (8.69)	.600 (15.24)	.80 (20.32)
9-19		.803 (20.40)	.872 (22.15)	.5625-32 UN-2A	.490 (12.45)	.362 (9.19)	.283 (7.19)	.092 (2.34)	.342 (8.69)	.600 (15.24)	.80 (20.32)
9-200		.803 (20.40)	.872 (22.15)	.5625-28 UN-2A	.490 (12.45)	.362 (9.19)	.240 (6.10)	.092 (2.34)	.342 (8.69)	.600 (15.24)	.80 (20.32)
10-2	.602 (15.29) .611 (15.52)	.940 (23.88)	.976 (24.79)	.6250-28 UN-2A	.570 (14.48)	.397 (10.08)	.272 (6.91)	.092 (2.34)	.362 (9.19)	.640 (16.26)	.84 (21.34)
10-5		.940 (23.88)	.976 (24.79)	.6250-28 UN-2A	.570 (14.48)	.397 (10.08)	.305 (7.75)	.092 (2.34)	.362 (9.19)	.640 (16.26)	.84 (21.34)
10-201		.940 (23.88)	.976 (24.79)	.6250-28 UN-2A	.570 (14.48)	.397 (10.08)	.272 (6.91)	.092 (2.34)	.362 (9.19)	.640 (16.26)	.84 (21.34)

SERIES 800 UN THREAD MATING

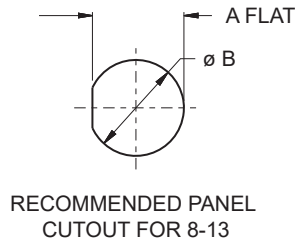
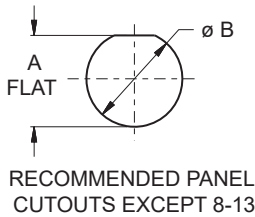


# SERIES 800 UN THREAD MATING Mighty Mouse Connectors and Cables

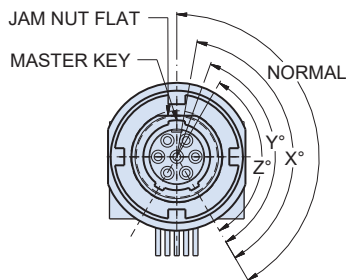


## Right-Angle Jam-Nut Receptacle with PC Tails

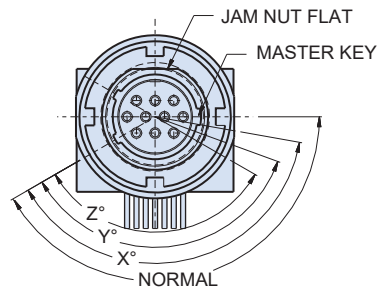
Panel Cutouts for Right Angle PCB Headers		
Shell Size	A Flat +.004 +.000	øB ±.005
5	.292 (7.42)	.322 (8.18)
6	.358 (9.09)	.385 (9.78)
7-1	.417 (10.59)	.447 (11.35)
7-10	.417 (10.59)	.479 (12.17)
8	.479 (12.17)	.510 (12.95)
9	.536 (13.61)	.572 (14.53)
10	.610 (15.49)	.635 (16.13)



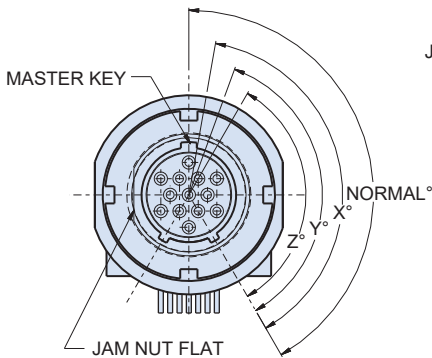
### SAMPLE KEYWAY POSITIONS FOR RIGHT ANGLE PCB HEADERS



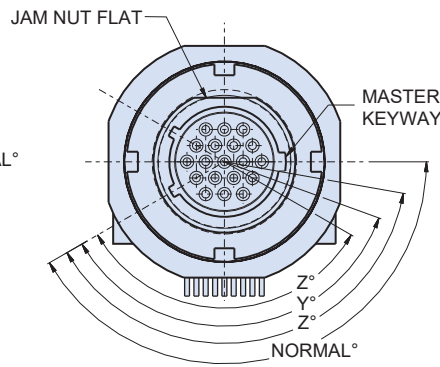
JAM NUT FLAT AND KEYWAY LOCATIONS  
SHELL SIZE 5 AND 6  
SOCKET FACE SHOWN



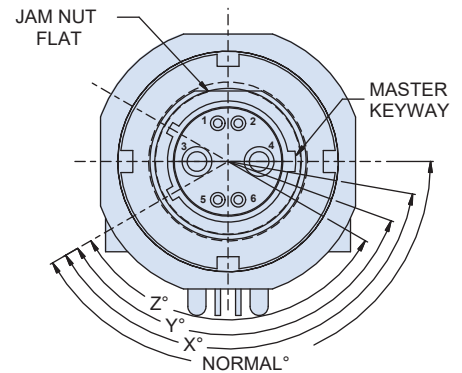
JAM NUT FLAT AND KEYWAY LOCATIONS  
SHELL SIZE 7  
SOCKET FACE SHOWN



JAM NUT FLAT AND KEYWAY LOCATIONS  
SHELL SIZE 8  
SOCKET FACE SHOWN

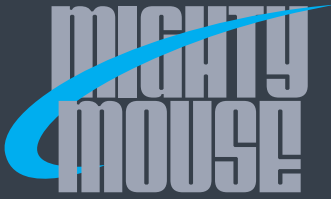


JAM NUT FLAT AND KEYWAY LOCATIONS  
SHELL SIZE 9  
SOCKET FACE SHOWN



JAM NUT FLAT AND KEYWAY LOCATIONS  
SHELL SIZE 10  
SOCKET FACE SHOWN

SERIES 800 UN THREAD MATING

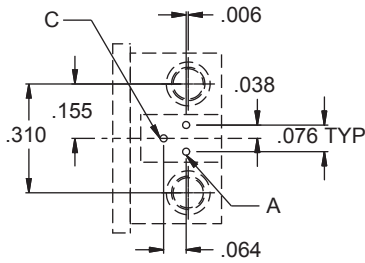


SERIES 800 UN THREAD MATING  
**Mighty Mouse Connectors and Cables**  
 Right-Angle Jam-Nut Receptacle  
 PCB Footprints

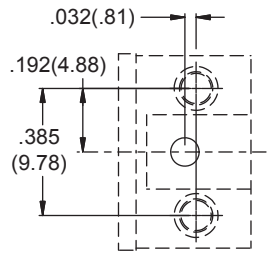


**RIGHT ANGLE PCB FOOTPRINTS: SOCKET CONNECTORS SHOWN**

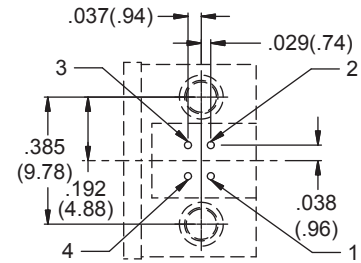
Patterns shown are for component mounting side of PCB. Contacts are .022 (0.56) max. diameter, mounting holes are 2-56 threaded inserts



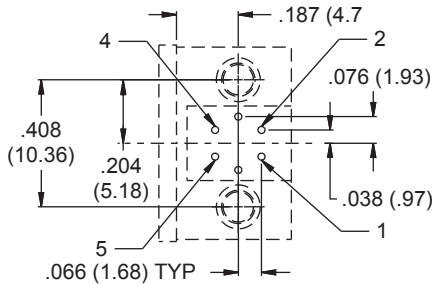
5-3



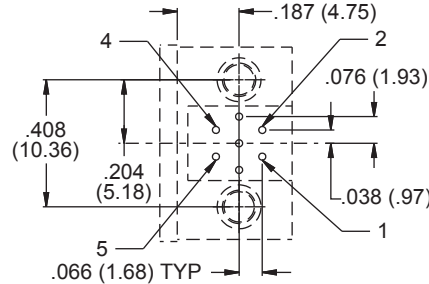
6-1



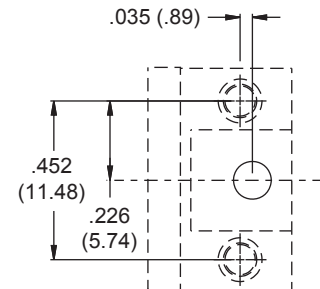
6-4



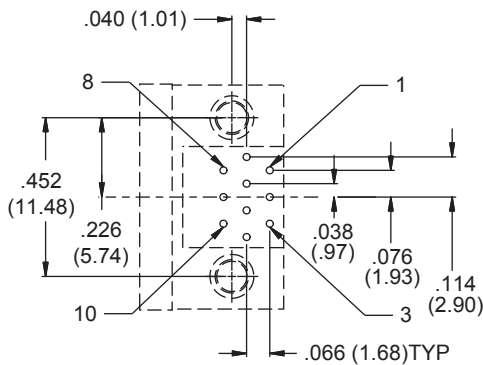
6-6



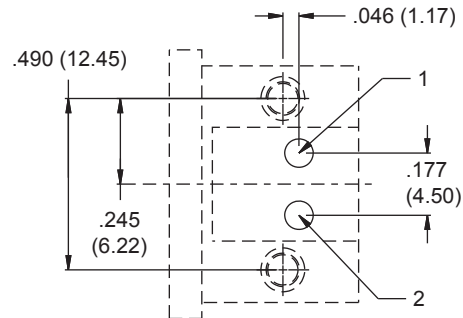
6-7



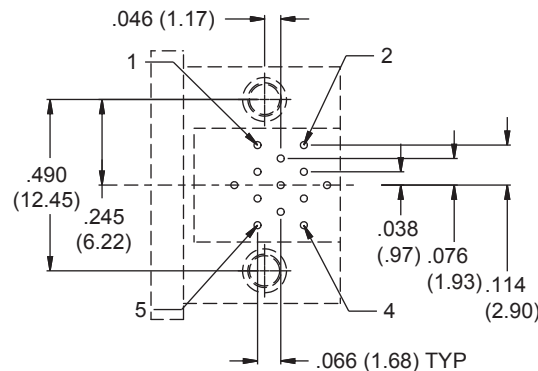
7-1



7-10

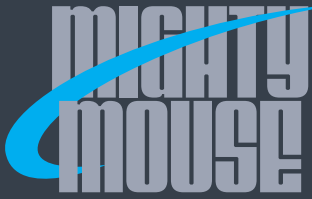


8-2



8-13

SERIES 800 UN THREAD MATING



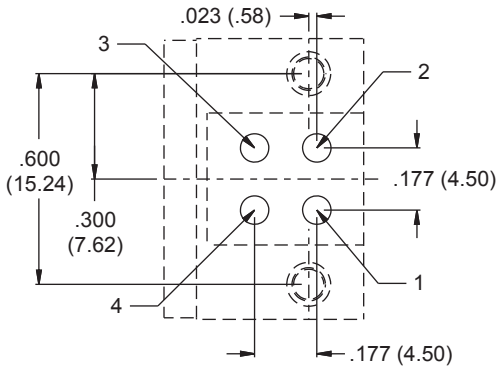
# SERIES 800 UN THREAD MATING Mighty Mouse Connectors and Cables

## Right-Angle Jam-Nut Receptacle PCB Footprints

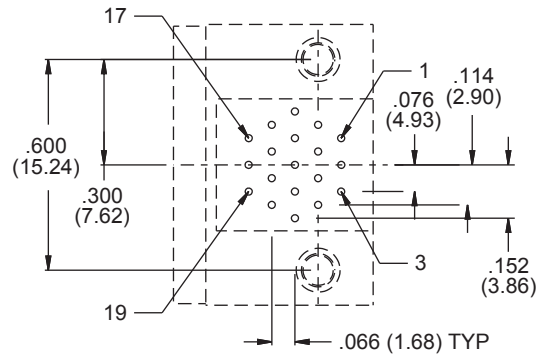


### RIGHT ANGLE PCB FOOTPRINTS: SOCKET CONNECTORS SHOWN

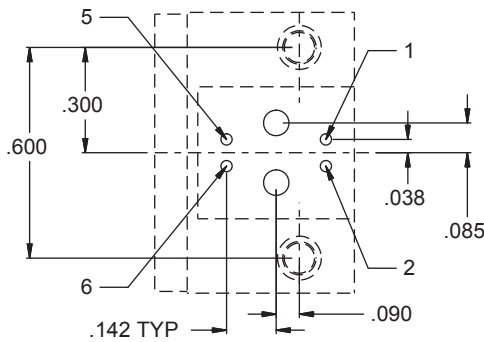
Patterns shown are for component mounting side of PCB. Contacts are .022 (0.56) max. diameter, mounting holes are 2-56 threaded inserts



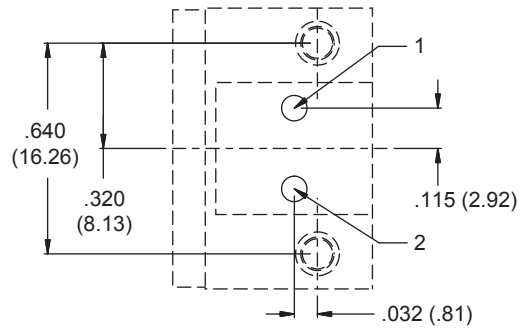
9-4



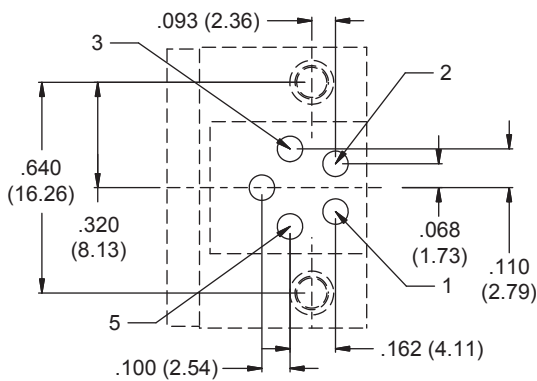
9-19



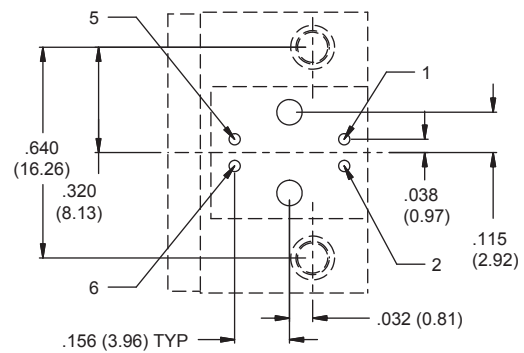
9-200



10-2



10-5



10-201