

# SERIES 800 UN THREAD MATING Mighty Mouse Connectors and Cables



## Jam-Nut Mount, Bulkhead Feed-Thru Connector

**Series 800 Bulkhead Feed-Thru Connector** provides a separable connection on both sides of a mounting panel. Features pin-pin, socket-socket, or pin-socket contact styles. Available in seven shell sizes with copper alloy / gold-plated contacts. Connector shell is available in aluminum alloy or stainless steel. Six standard finishes available. Contacts are factory-installed, and are non removable. Liquid crystal polymer insulator. Mates with all series 800 plug connectors with same polarization and opposite contact gender (800-006, 800-007, 800-008, and 800-009).

| How To Order                                |  |            |          |            |          |          |          |
|---|--|------------|----------|------------|----------|----------|----------|
| <b>Sample Part Number</b>                   | <b>800-060</b>   | <b>-07</b> | <b>M</b> | <b>6-7</b> | <b>P</b> | <b>S</b> | <b>N</b> |
| <b>Series</b>                               | 800-060 = Feed-Through Jam-Nut Mount Feedthru  |            |          |            |          |          |          |
| <b>Shell Style</b>                          | 07 = Jam-Nut   |            |          |            |          |          |          |
| <b>Shell Material and Finish</b>            | C = Aluminum / Black Anodize (Non-Conductive)<br>M = Aluminum / Electroless Nickel<br>NF = Aluminum / Cadmium with Olive Drab Chromate<br>ZNU = Aluminum / Zinc-Nickel with Black Chromate<br>MT = Aluminum / Nickel-PTFE<br>Z1 = Stainless Steel / Passivated |            |          |            |          |          |          |
| <b>Shell Size - Insert Arrangement</b>      | See Contact Arrangements page D-4  |            |          |            |          |          |          |
| <b>Contact Type*<br/>Jam-Nut Side</b>       | P = Pin S = Socket   |            |          |            |          |          |          |
| <b>Contact Type*<br/>Other Side</b>         | P = Pin S = Socket   |            |          |            |          |          |          |
| <b>Shell Key Position<br/>(See Table I)</b> | N = Normal X = Pos. X Y = Pos. Y Z = Pos. Z  |            |          |            |          |          |          |

\* Connectors with PP and SS contact styles will cause the arrangement pattern to be mirrored about the vertical centerline.

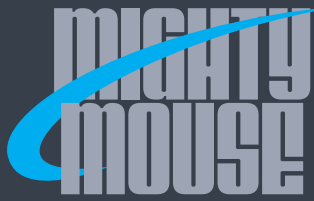
**Table I: Keyway Position (See Note 4 and 5)**

| Key Position   | Key Rotation | Shell Size 5 and 6 Key Positions | Shell Size 7 thru 12 Key Positions |
|--|--------------|----------------------------------|------------------------------------|
| <b>N</b> Normal  | 150°         |                                  |                                    |
| <b>X</b>   | 140°         |                                  |                                    |
| <b>Y</b>   | 130°         |                                  |                                    |
| <b>Z</b>   | 120°         |                                  |                                    |
| Shell size 5 and 6: master key is located at top dead center for normal (N) position.<br><br>Shell size 7 thru 12: master key is rotated 90° from TDC for normal position. |              |                                  |                                    |

### NOTES

- See page D-7 for panel cut-out dimensions
- Receptacle connector mates with all high density plug connectors with same polarization and opposite contact gender
- Connectors with PP and SS contact styles will cause the arrangement pattern to be mirrored about the vertical centerline
- Shell sizes 5 thru 6: master key is located at top dead center (TDC) for normal (N) position.
- Shell size 7 thru 12: master key is rotated 90° from TDC for normal position
- Material / finish:
  - Shell, jam-nut: aluminum alloy or CRES / see How to Order Table
- Insulator: High Grade Rigid Dielectric / N.A.
- Interfacial seal, O-ring, peripheral seal: fluorosilicone
- Contacts: copper alloy / gold plate per ASTM B 488, Typell, Code C, Class 1.25, over a suitable underplate

SERIES 800 UN THREAD MATING

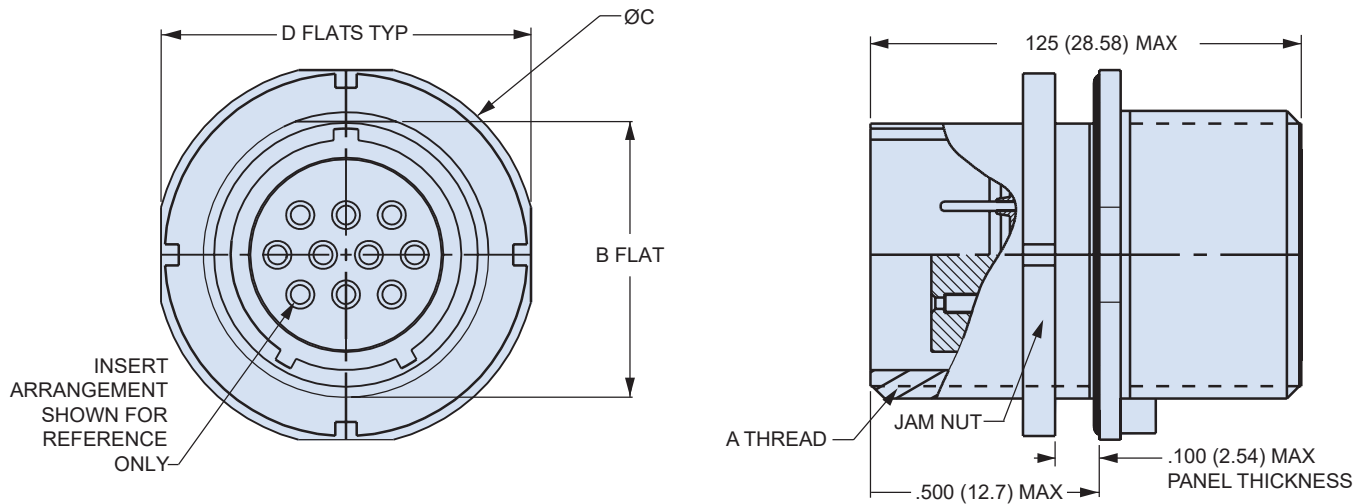


SERIES 800 UN THREAD MATING  
Mighty Mouse Connectors and Cables



Jam-Nut Mount, Bulkhead Feed-Thru Connector

JAM-NUT, REAR PANEL MOUNT RECEPTACLE - SHELL STYLE 07



| Dimensions |                  |              |               |              |
|------------|------------------|--------------|---------------|--------------|
| Shell Size | A Thread         | B Flat       | Ø C           | D Flat       |
| 5          | .3125-28 UN-2A   | .289 (7.34)  | .538 (13.67)  | .497 (12.62) |
| 6          | .3750-28 UN-2A   | .352 (8.94)  | .602 (15.29)  | .559 (14.20) |
| 7          | .4375-28 UNEF-2A | .418 (10.62) | .664 (16.87)  | .643 (16.33) |
| 8          | .5000-32 UN-2A   | .473 (12.01) | .770 (19.56)  | .731 (18.57) |
| 9          | .5625-32 UN-2A   | .530 (13.46) | .872 (22.15)  | .803 (20.40) |
| 10         | .6250-32 UN-2A   | .604 (15.34) | .976 (24.79)  | .940 (23.88) |
| 12         | .7500-28 UN-2A   | .712 (18.08) | 1.062 (26.97) | .986 (25.04) |

SERIES 800 UN THREAD MATING