

SERIES 801 DOUBLE-START ACME THREAD Mighty Mouse Connectors and Cables



Plug with Banding Platform or Rear Accessory Threads and Crimp Contacts



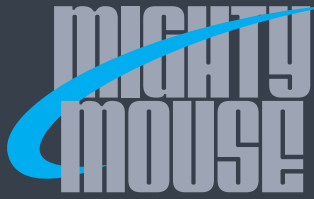
Series 801 Mighty Mouse Connector features a double-start stub ACME thread for improved protection against cross-mating and thread damage. Connector shells are machined aluminum or stainless steel. Supplied with crimp contacts, packaged separately. Terminate contacts with standard M22520 tools. Metal clips inside the connector body lock contact into place. Contacts are removable. Fluorosilicone seals and rear grommet protect connector from water ingress. Terminate cable shield directly to banding platform with Band-Master™ ATS strap or choose rear accessory thread to attach optional cable clamp or backshell.

How To Order		801-007	-16	M	9-4	P	A
Sample Part Number							
Series (See Table I)	801-007 = With Banding Platform 801-008 = With Rear Accessory Thread						
Shell Style	-16 = Plug with Anti-Decoupling Spring -26 = Self-Locking Plug with Ratchet Mechanism						
Shell Material and Finish	C = Aluminum / Black Anodize (Non-Conductive) M = Aluminum / Electroless Nickel NF = Aluminum / Cadmium with Olive Drab Chromate ZN = Aluminum / Zinc-Nickel with Olive Drab Chromate ZNU = Aluminum / Zinc-Nickel with Black Chromate MT = Aluminum / Nickel-PTFE Z1 = Stainless Steel / Passivated						
Shell Size - Insert Arrangement	See Contact Arrangements page E-7						
Contact Type	Connector supplied with contacts P = Pin S = Socket Connectors with contacts are supplied with crimp contacts. Contacts not installed. For coax contacts order contacts separately and request pin or socket connector without contacts.	Connector supplied without contacts A = Pin Connector B = Socket Connector	Connector supplied with size 30 AWG contacts G = #23 Pin H = #23 Socket				
Polarization (See Table II)	A = Normal B = Pos. B C = Pos. C D = Pos. D E = Pos. E F = Pos. F G = Pos. G H = Pos. H J = Pos. J						

SERIES 801 DOUBLE-START MATING

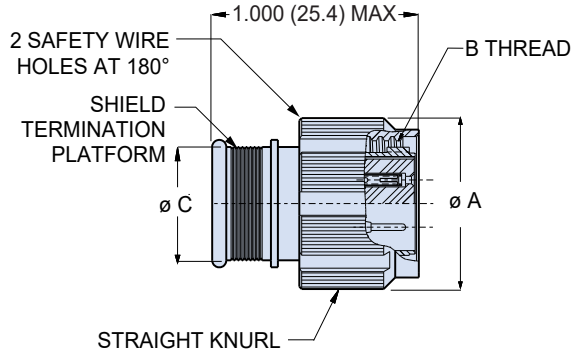
Table I: Series	
801-007 Banding Platform	801-008 Rear Accessory Thread

Table II: Key Positions		
Position	A°	B°
A	150°	210°
B	75°	210°
C	95°	230°
D	140°	275°
E	75°	275°
F	95°	210°

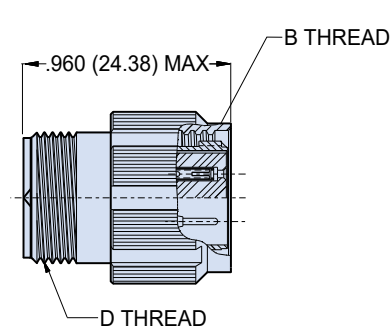


Plug with Banding Platform or Rear Accessory Threads and Crimp Contacts

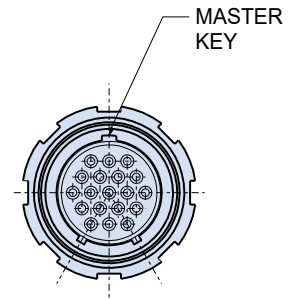
PLUG CONNECTOR



Integral Band Platform
801-007



Accessory Thread
801-008



MATING OF PLUG WITH SOCKET SIZE 9 SHOWN

Dimensions					
Shell Size	Ø A Style 16	Ø A Style 26	B Thread	Ø C	D Thread
5	0.54 (13.72)	0.65 (16.51)	.3125-.05P-.1L-DS-2B	.245 (6.22)	.2500-32 UNEF-2A
6	0.60 (15.24)	0.69 (17.53)	.3750-.05P-.1L-DS-2B	.290 (7.37)	.3125-32 UNEF-2A
7	0.69 (17.53)	0.79 (20.07)	.4375-.05P-.1L-DS-2B	.390 (9.91)	.4375-28 UNEF-2A
8	0.75 (19.05)	0.83 (21.08)	.5000-.05P-.1L-DS-2B	.445 (11.30)	.5000-28 UNEF-2A
9	0.81 (20.57)	0.92 (23.37)	.5625-.05P-.1L-DS-2B	.500 (12.70)	.5625-24 UNEF-2A
10	0.88 (22.35)	0.98 (24.89)	.6250-.05P-.1L-DS-2B	.560 (14.22)	.6250-24 UNEF-2A
11	0.92 (23.37)	1.02 (25.91)	.6875-.05P-.1L-DS-2B	.605 (15.37)	.6875-24 UNEF-2A
13	1.05 (26.67)	1.10 (27.94)	.8125-.1P-.2L-DS-2B	.650 (16.51)	.6875-24 UNEF-2A
16	1.24 (31.50)	1.34 (34.04)	1.0000-.1P-.2L-DS-2B	.805 (20.45)	.9375-20 UNEF-2A
17	1.30 (33.02)	1.45 (36.83)	1.0625-.1P-.2L-DS-2B	.850 (21.59)	.9375-20 UNEF-2A
19	1.40 (35.56)	1.50 (38.10)	1.1875-.1P-.2L-DS-2B	1.003 (25.48)	1.0625-18 UNEF-2A
21	1.55 (39.37)	1.65 (41.91)	1.3125-.1P-.2L-DS-2B	1.110 (28.19)	1.1875-18 UNEF-2A

NOTES

- Contacts are crimp type, and used in a rear release retention system
- Plug mates with all quick coupling high density receptacle connectors with same polarization and opposite contact gender (801-003 through 801-006 and 801-009 through 801-012)
- Connectors supplied with standard crimp contacts. For coax or other special contacts, order connector less contacts and order contacts separately
- 801-007: For connectors with insert arrangements using size #8 contacts add .320" to the overall connector length.
For connectors using the -26 shell style add .127" to the overall connector length.
For connectors using both #8 contacts and -26 shell style add .425" to the overall connector length.
- 801-008: For connectors with insert arrangements using size #8 contacts add .220" to the overall connector length.
For connectors using the -26 shell style add .160" to the overall connector length.
For connectors using both #8 contacts and -26 shell style add .320" to the overall connector length.
Grommet will protrude from the rear of the connector for select arrangements.
- Material / finish:
 - Plug barrel, coupling nut: Aluminum Alloy or CRES; see How to Order Table
 - Insulator: High grade rigid dielectric / N.A.
 - Interfacial seal, grommet seal: fluorosilicone / N.A.
 - Contact: copper alloy / gold plate per ASTM B 488, Type II, Code C, Class 1.25, over a suitable underplate