

SERIES 801 DOUBLE-START ACME THREAD Mighty Mouse Connectors and Cables



PCB Receptacle with PC Tail Contacts and Ground Pins



Series 801 PC Tail Receptacle with Ground Pins

Ground pins are pressed into the shell body to provide a direct grounding path from the connector shell to the PCB board creating a common ground path for the connector, the panel it is mounted against and printed circuit board. Modified double-start stub ACME mating thread for improved protection against cross-mating and thread damage. Two shell styles — jam-nut or square flange, available. PC tail contacts for attachment to flex or rigid circuit boards.

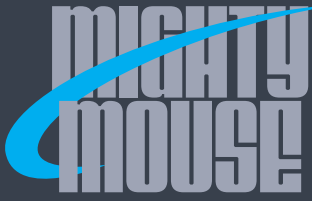
How To Order	
Sample Part Number	801-052 -07 M 6-7 P A
Series	801-052 = Box Mount PCB Receptacle with Threaded Standoffs
Shell Style	-02 = Square Flange Receptacle, Front or Rear Panel Mount -07 = Jam-Nut, Rear Panel Mount
Material and Finish	C = Black Anodize M = Aluminum / Electroless Nickel NF = Aluminum / Cadmium with Olive Drab Chromate ZN = Aluminum / Zinc-Nickel Olive Drab over Electroless Nickel
Shell Size - Insert Arrangement	See Contact Arrangements page E-7
Contact Type	P = Pin, PC Tail S = Socket, PC Tail
Polarization (See Table I)	A = Normal B = Pos. B C = Pos. C D = Pos. D E = Pos. E F = Pos. F

Table I: Keyway Positions

Position	A°	B°
A	150°	210°
B	75°	210°
C	95°	230°
D	140°	275°
E	75°	275°
F	95°	210°

NOTES

1. Contacts are non removable, the connector is back potted
2. This receptacle connector mates with all quick coupling high density plug connectors with same polarization and opposite contact gender (801-01, 801-002, 801-007, and 801-008)
3. See page E-11 for panel cut-out dimensions
4. Material / finish:
 - Shell, jam-nut: aluminum alloy
 - Insulator: high-grade rigid dielectric.
 - Interfacial seal, O-ring: fluorosilicone / N.A.
 - Contact, ground pins: copper alloy / gold plate per ASTM B 488, Type II, Code C, Class 1.25 (.00005 minimum thickness), over a suitable underplate
 - Potting compound: epoxy / N.A.

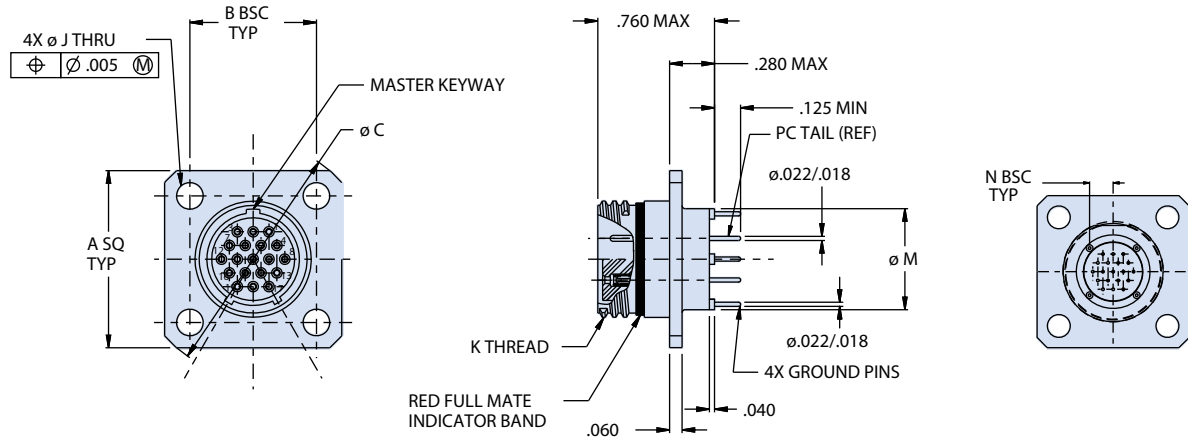


SERIES 801 DOUBLE-START ACME THREAD Mighty Mouse Connectors and Cables



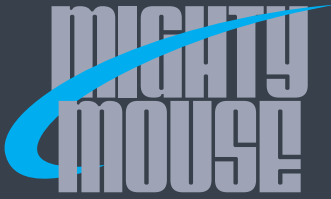
PCB Receptacle with PC Tail Contacts and Ground Pins

801-052-02 WALL MOUNT RECEPTACLE - SHELL STYLE 02



Dimensions							
SHELL SIZE	A SQ	B BSC	ϕC	ϕD	J HOLES	K THREAD	L THREAD
5	0.530 (13.46)	0.363 (9.22)	0.680 (17.27)	0.575 (14.60)	0.096 0.091	.3125-.05P-.1L-2A	.3750-28 UN-2A
6	0.590 (14.99)	0.423 (10.74)	0.750 (19.05)	0.635 (16.13)		.3750-.05P-.1L-2A	.4375-28 UNEF-2A
7	0.650 (16.51)	0.483 (12.27)	0.850 (21.59)	0.755 (19.18)		.4375-.05P-.1L-2A	.5625-32 UN-2A
8	0.712 (18.08)	0.545 (13.84)	0.938 (23.83)	0.755 (19.18)		.5000-.05P-.1L-2A	.5625-32 UN-2A
9	0.850 (21.59)	0.607 (15.42)	1.125 (28.58)	0.830 (21.08)		.5625-.05P-.1L-2A	.6250-28 UN-2A
10	0.890 (22.61)	0.670 (17.02)	1.188 (30.18)	0.890 (22.61)	0.130 0.126	.6250-.05P-.1L-2A	.6875-28 UN-2A
11	0.935 (23.75)	0.715 (18.16)	1.250 (31.75)	0.960 (24.38)		.6875-.05P-.1L-2A	.7500-28 UN-2A
13	1.030 (26.16)	0.812 (20.62)	1.375 (34.92)	1.078 (27.38)		.8125-.1P-.2L-2A	.8750-28 UN-2A
16	1.219 (30.96)	0.981 (24.92)	1.625 (41.28)	1.265 (32.13)		1.0000-.1P-.2L-2A	1.0625-20 UN-2A
17	1.280 (32.51)	1.060 (26.92)	1.700 (43.18)	1.325 (33.65)		1.0625-.1P-.2L-2A	1.1250-28 UN-2A
19	1.432 (36.37)	1.191 (30.25)	1.900 (48.26)	1.450 (36.83)		1.1875-.1P-.2L-2A	1.2500-28 UN-2A
21	1.565 (39.75)	1.322 (33.58)	2.100 (53.34)	1.625 (41.28)		1.3125-.1P-.2L-2A	1.3750-28 UN-2A

SERIES 801 DOUBLE-START MATING

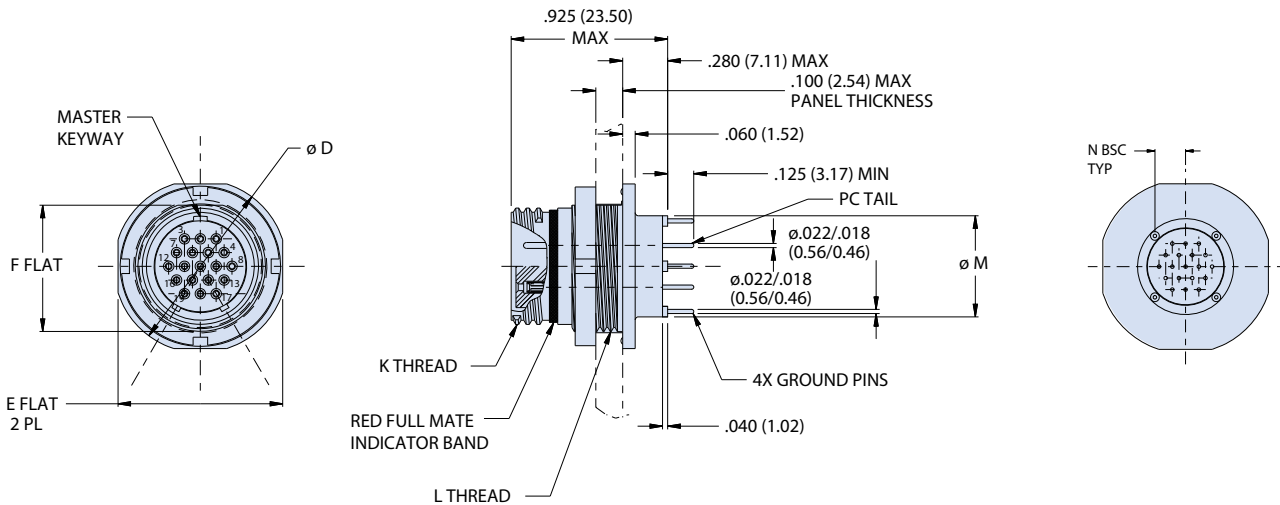


SERIES 801 DOUBLE-START ACME THREAD Mighty Mouse Connectors and Cables



PCB Receptacle with PC Tail Contacts and Ground Pins

801-052-07 JAM-NUT MOUNT RECEPTACLE - SHELL STYLE 07



Dimensions							
SHELL SIZE	ø D	E FLAT	F FLAT	K THREAD	L THREAD	ø M	N BSC
5	0.575 (14.60)	0.545 (13.84)	0.350 (8.89)	.3125-.05P-.1L-2A	.3750-28 UN-2A	0.320 (8.13)	0.087 (2.21)
6	0.635 (16.13)	0.595 (15.11)	0.410 (10.41)	.3750-.05P-.1L-2A	.4375-28 UNEF-2A	0.380 (9.65)	0.109 (2.77)
7	0.755 (19.18)	0.723 (18.36)	0.536 (13.61)	.4375-.05P-.1L-2A	.5625-32 UN-2A	0.510 (12.95)	0.147 (3.73)
8	0.755 (19.18)	0.723 (18.36)	0.536 (13.61)	.5000-.05P-.1L-2A	.5625-32 UN-2A	0.510 (12.95)	0.158 (4.01)
9	0.830 (21.08)	0.790 (20.07)	0.596 (15.14)	.5625-.05P-.1L-2A	.6250-28 UN-2A	0.570 (14.48)	0.179 (4.55)
10	0.890 (22.61)	0.855 (21.72)	0.658 (16.71)	.6250-.05P-.1L-2A	.6875-28 UN-2A	0.630 (16.00)	0.202 (5.13)
11	0.960 (24.38)	0.925 (23.50)	0.718 (18.24)	.6875-.05P-.1L-2A	.7500-28 UN-2A	0.700 (17.78)	0.222 (5.64)
13	1.078 (27.38)	1.044 (26.52)	0.845 (21.46)	.8125-.1P-.2L-2A	.8750-28 UN-2A	0.820 (20.83)	0.250 (6.35)
16	1.265 (32.13)	1.230 (31.24)	1.022 (25.96)	1.0000-.1P-.2L-2A	1.0625-20 UN-2A	0.990 (25.15)	0.309 (7.85)
17	1.325 (33.65)	1.290 (32.77)	1.096 (27.84)	1.0625-.1P-.2L-2A	1.1250-28 UN-2A	1.070 (27.18)	0.331 (8.41)
19	1.450 (36.83)	1.415 (35.94)	1.225 (31.12)	1.1875-.1P-.2L-2A	1.2500-28 UN-2A	1.182 (30.02)	0.370 (9.40)
21	1.625 (41.28)	1.625 (41.28)	1.345 (34.16)	1.3125-.1P-.2L-2A	1.3750-28 UN-2A	1.327 (33.71)	0.421 (10.69)

SERIES 801 DOUBLE-START MATING