

# SERIES 801 DOUBLE-START ACME THREAD Mighty Mouse Connectors and Cables



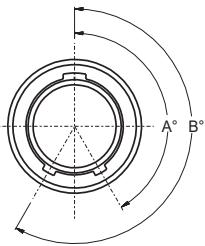
## Environmental Jam-Nut Bulkhead Feed-Thru



**Series 801 Bulkhead Feed-Thru** provides an environmental separable connection on both sides of a mounting panel. Available in shell sizes 5 to 21 and mates with all high density plug connectors with the same polarization and opposite contact genders. Copper alloy gold-plated contacts, pin to pin, pin to socket, or socket to socket. Your choice of standard aluminum alloy or stainless steel and seven standard finishes (see below). Please contact the factory for other materials and finishes.

How To Order							
<b>Sample Part Number</b>	<b>801-074</b>	<b>-07</b>	<b>M</b>	<b>6-7</b>	<b>P</b>	<b>P</b>	<b>A</b>
<b>Series</b>	<b>801-074</b> = Feed-Thru Receptacle						
<b>Shell Style</b>	<b>-07</b> = Jam-Nut						
<b>Material and Finish</b>	<b>M</b> = Aluminum / Electroless Nickel <b>MT</b> = Aluminum / Nickel-PTFE <b>NF</b> = Aluminum / Cadmium with Olive Drab Chromate <b>ZNU</b> = Aluminum / Zinc-Nickel with Black Chromate <b>Z1</b> = Stainless Steel / Passivated						
<b>Shell Size - Insert Arrangement</b>	See Contact Arrangements page E-7						
<b>Contact Type Jam-Nut Side</b>	<b>P</b> = Pin <b>S</b> = Socket Connectors with PP and SS contact styles will cause the arrangement pattern to be mirrored about the vertical centerline						
<b>Contact Type Other Side</b>	<b>P</b> = Pin <b>S</b> = Socket						
<b>Polarization (See Table I)</b>	<b>A</b> = Normal <b>B</b> = Pos. B <b>C</b> = Pos. C <b>D</b> = Pos. D <b>E</b> = Pos. E <b>F</b> = Pos.						

Table I: Keyway Positions

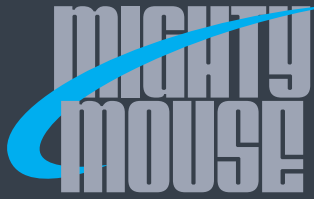


Key Position	A°	B°
<b>A</b>	150°	210°
<b>B</b>	75°	210°
<b>C</b>	95°	230°
<b>D</b>	140°	275°
<b>E</b>	75°	275°
<b>F</b>	95°	210°

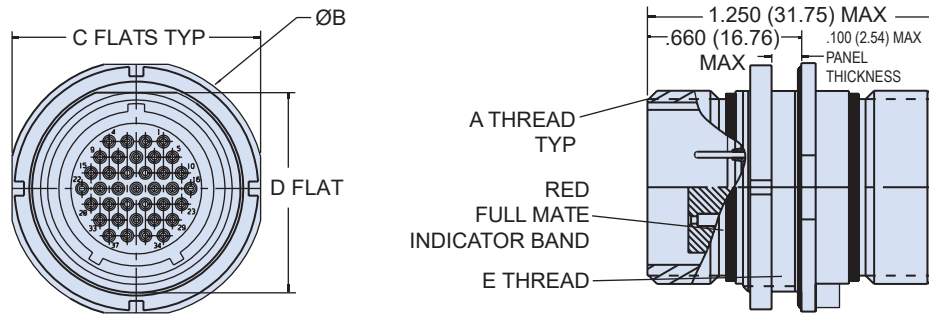
### NOTES

1. Receptacle connector mates with all quick coupling high-density plug connectors with same polarization and opposite contact gender
2. Connectors with PP and SS contact styles will cause the arrangement pattern to be mirrored about the vertical centerline
3. See page E-11 for panel cut-out dimensions
4. Material/Finish
  - Shell, jam-nut: aluminum alloy or CRES
  - Contact: copper alloy / gold plate per ASTM B 488, type II, code C
  - Insulators: liquid crystal polymer / N.A.
  - Interfacial seal, O-ring, peripheral seal: Fluorosilicone / N.A.
  - Class 1.25 (.000050 minimum thickness), over a suitable underplate

SERIES 801 DOUBLE-START MATING



**JAM-NUT MOUNT RECEPTACLE - SHELL STYLE 07**



Dimensions					
Shell Size	A Thread	E Thread	Ø B	C Flat	D Flat
5	.3125-.05P-.1L-2A	.3750-28 UN-2A	.575 (14.60)	.545 (13.84)	.350 (8.89)
6	.3750-.05P-.1L-2A	.4375-28 UNEF-2A	.635 (16.13)	.595 (15.11)	.410 (10.41)
7	.4375-.05P-.1L-2A	.5625-32 UN-2A	.755 (19.18)	.723 (18.36)	.536 (13.61)
8	.5000-.05P-.1L-2A	.5625-32 UN-2A	.755 (19.18)	.723 (18.36)	.536 (13.61)
9	.5625-.05P-.1L-2A	.6250-28 UN-2A	.830 (21.08)	.790 (20.07)	.596 (15.14)
10	.6250-.05P-.1L-2A	.6875-28 UN-2A	.890 (22.61)	.855 (21.72)	.658 (16.71)
11	.6875-.05P-.1L-2A	.7500-28 UN-2A	.960 (24.38)	.925 (23.50)	.718 (18.24)
13	.8125-.1P-.1L-2A	.8750-28 UN-2A	1.078 (27.38)	1.044 (26.52)	.845 (21.46)
16	1.0000-.1P-.1L-2A	1.0625-20 UN-2A	1.264 (32.11)	1.230 (31.24)	1.022 (25.96)
17	1.0625-.1P-.1L-2A	1.1250-28 UN-2A	1.325 (33.65)	1.290 (32.77)	1.096 (27.84)
19	1.0625-.1P-.1L-2A	1.2500-28 UN-2A	1.450 (36.83)	1.415 (35.94)	1.227 (31.17)
21	1.3125-.1P-.1L-2A	1.3750-28 UN-2A	1.625 (41.28)	1.577 (40.06)	1.347 (34.21)