

PCB Receptacles with Size #12 Twinax and Combo PC Tail Contact Arrangements

Twinax PC Tail Receptacles

Features a double-start modified stub ACME mating thread for improved protection against cross-mating and thread damage. Mounting options include rear panel mount square flange connector and rear panel mount jam-nut connector. Style 02, square flange connector can also be mounted front or rear depending on your application.

6 shell sizes available in 17 insert arrangements including 8 size #12 twinax contact arrangements or 9 combo arrangements with size #12 twinax and #23 contacts. Connectors are environmentally sealed. Contacts are non-removable and back potted.

How To Order	
Sample Part Number	801-123 -07 M 7-1 P A
Series	801-123 = Twinax PC Tail Receptacle
Shell Style	-02 = Square Flange, Front or Rear Panel Mount -12 = Square Flange, Rear Panel Mount with Non-Locking Clinch Nuts -22 = Square Flange, Rear Panel Mount with Locking Clinch Nuts -07 = Jam-Nut, Rear Panel Mount
Material and Finish	C = Aluminum / Black Anodize (Non-Conductive) M = Aluminum / Electroless Nickel MT = Aluminum / Nickel-PTFE NF = Aluminum / Cadmium with Olive Drab Chromate ZNU = Aluminum / Zinc-Nickel with Black Chromate Z1 = Stainless Steel / Passivated
Shell Size - Insert Arrangement	7-1, 10-2, 13-2, 13-3, 16-4, 16-5, 17-7, 21-12, 10-200, 10-201, 13-200, 13-201, 13-204, 13-205, 16-206, 16-207, 17-204 See Contact Arrangements page E-7
Contact Type	P = Pin, PC Tail S = Socket, PC Tail
Polarization (See Table I)	A = Normal B = Pos. B C = Pos. C D = Pos. D E = Pos. E F = Pos. F

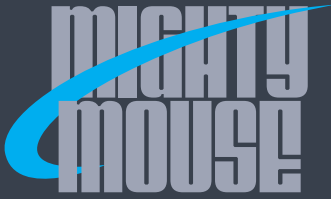
Table I: Keyway Positions		
Position	A°	B°
A	150°	210°
B	75°	210°
C	95°	230°
D	140°	275°
E	75°	275°
F	95°	210°

Table I: Shell Style	
Style -02, -12, -22 Square Flange	Style -07 Jam-Nut

NOTES

1. Contacts are non-removable and back potted
2. Connector mates with all 801 series high-density plug connectors with same size, insert arrangement, polarization, and opposite contact gender

3. Connector is environmentally sealed to meet a helium leak detection level less than 10⁻⁴ CC/SEC at one atmosphere Delta P
4. See page E-11 for panel cut-out dimensions
5. Material / finish:
 - Shell, jam-nut: aluminum alloy or CRES
 - Insulator: high grade rigid dielectric
 - Interfacial seal, O-ring: fluorosilicone/N.A.
 - Contact: copper alloy / gold plate per ASTM B 488, Type II, Code C, Class 1.25 (.00005 minimum thickness), over a suitable underplate
 - Potting compound: RTV

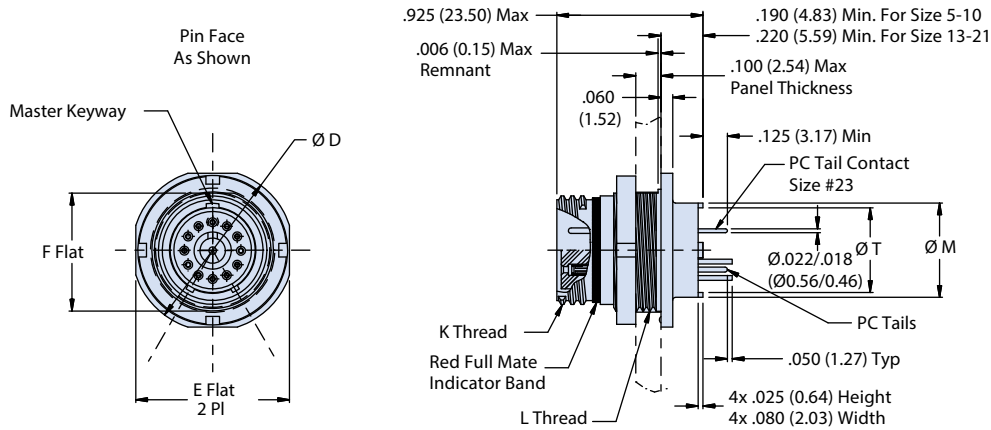


SERIES 801 DOUBLE-START ACME THREAD Mighty Mouse Connectors and Cables

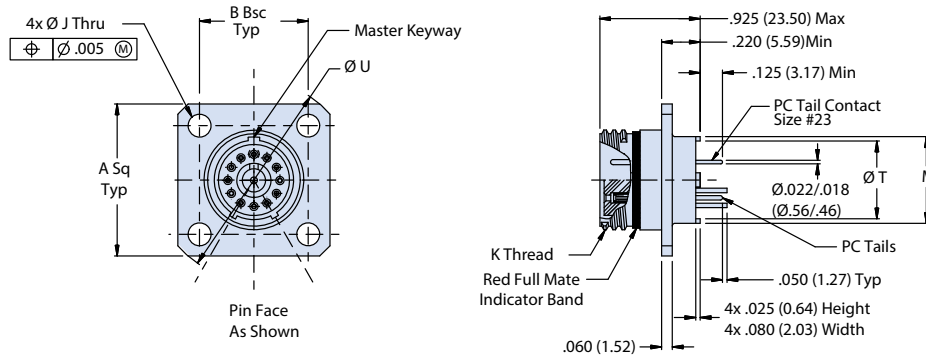


PCB Receptacles with Size #12 Twinax and Combo Contact Arrangements

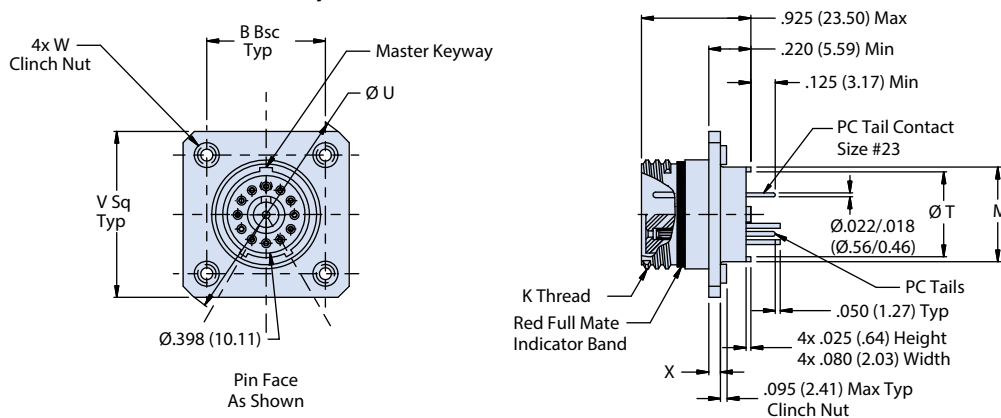
JAM-NUT MOUNT RECEPTACLE - SHELL STYLE 07



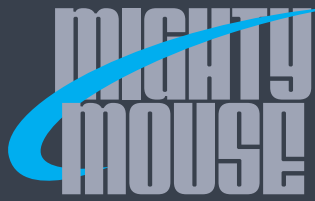
SQUARE FLANGE MOUNT RECEPTACLE - SHELL STYLE 02



SQUARE FLANGE MOUNT RECEPTACLE - SHELL STYLE 12 (NON-LOCKING CLINCH NUTS) AND 22 (LOCKING CLINCH NUTS)



SERIES 801 DOUBLE-START MATING



SERIES 801 DOUBLE-START ACME THREAD Mighty Mouse Connectors and Cables

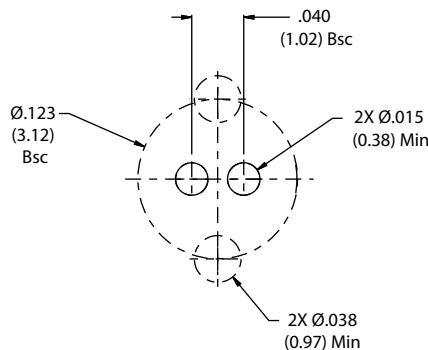


PCB Receptacles with Size #12 Twinax and Combo Contact Arrangements

Dimensions											
Shell Size	A Sq	B BSC	Ø C	Ø D	E Flat	F Flat	J Holes	K Thread	L Thread	Ø M	Ø T
7	0.650 (16.51)	0.483 (12.27)	0.850 (21.59)	0.755 (19.18)	0.723 (18.36)	0.536 (13.61)	.096 (2.44) .091 (2.31)	.4375-.05P-.1L-2A	.5625-32 UN-2A	0.432 (10.97)	0.327 (8.31)
10	0.890 (22.61)	0.670 (17.02)	1.188 (30.18)	0.890 (22.61)	0.855 (21.72)	0.658 (16.71)	0.130 (3.30) 0.126 (3.20)	.6250-.05P-.1L-2A	.6875-28 UN-2A	0.620 (15.75)	0.516 (13.11)
13	1.030 (26.16)	0.812 (20.62)	1.375 (34.92)	1.078 (27.38)	1.044 (26.52)	0.845 (21.46)		.8125-.1P-.2L-2A	.8750-28 UN-2A	0.703 (17.86)	0.599 (15.21)
16	1.219 (30.96)	0.981 (24.92)	1.625 (41.28)	1.265 (32.13)	1.230 (31.24)	1.022 (25.96)		1.0000-.1P-.2L-2A	1.0625-20 UN-2A	0.863 (21.92)	0.759 (19.28)
17	1.280 (32.51)	1.060 (26.92)	1.700 (43.18)	1.325 (33.65)	1.290 (32.77)	1.096 (27.84)		1.0625-.1P-.2L-2A	1.1250-28 UN-2A	0.912 (23.16)	0.808 (20.52)
21	1.565 (39.75)	1.322 (33.58)	2.100 (53.34)	1.625 (41.28)	1.577 (40.06)	1.345 (34.16)		1.3125-.1P-.2L-2A	1.3750-28 UN-2A	1.170 (29.72)	1.061 (26.95)

Dimensions (continued)				
Shell Size	Ø U	V SQ	W Clinch Nuts	X
7	0.944 (23.98)	0.743 (18.87)	2-56	0.030 (0.76)
10	1.268 (32.21)	0.990 (25.15)	4-40	0.060 (1.52)
13	1.470 (37.34)	1.132 (28.75)		
16	1.708 (43.38)	1.301 (33.05)		
17	1.822 (46.28)	1.382 (35.10)		
21	2.190 (55.63)	1.642 (41.71)		

#12 TwinAx PCB
Footprint Detail



SERIES 801 DOUBLE-START MATING