

SERIES 802, 3500 PSI SUBMERSIBLE AquaMouse Connectors and Cables



Receptacle with Crimp Removable Contacts and Integral Banding Porch or Accessory Threads

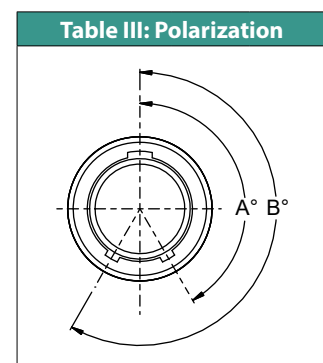


Series 802 Receptacles feature rear release crimp contacts. Shells are machined from stainless steel in jam-nut, square flange, or in-line shell styles. Choose the integral band platform for direct attachment of a cable shield or select accessory thread option to attach backshells. Hydrostatic pressure rated for 3500 PSI when fully mated. These connectors are suitable for the shallow water applications.

How To Order												
Sample Part Number	802-011	-02	Z1	10-26	P	B						
Series (See Table I)	802-010 = Receptacle with Banding Platform 802-011 = Receptacle with Accessory Thread											
Shell Style (See Table II)	-01 = In-Line -02 = Square Flange, Front Panel Mount -07 = Jam-nut, Rear Panel Mount											
Shell Material and Finish	Z1 = Stainless Steel/Passivated ZM = Stainless Steel/Electroless Nickel Plated AB = Marine Bronze/Unplated											
Shell Size - Insert Arrangement	See Contact Arrangements page F-3											
Contact Type	<table border="0"> <tr> <td>Connector supplied with contacts</td> <td>Connector supplied without contacts</td> </tr> <tr> <td>P = Pin</td> <td>A = Pin Connector, less contacts</td> </tr> <tr> <td>S = Socket</td> <td>B = Socket Connector, less contacts</td> </tr> </table> <p>Connectors with contacts are supplied with crimp contacts. Contacts not installed. For coaxial contacts order contacts separately and request pin/skt connector less contacts</p>						Connector supplied with contacts	Connector supplied without contacts	P = Pin	A = Pin Connector, less contacts	S = Socket	B = Socket Connector, less contacts
Connector supplied with contacts	Connector supplied without contacts											
P = Pin	A = Pin Connector, less contacts											
S = Socket	B = Socket Connector, less contacts											
Polarization(See Table III)	A = Normal B = Pos. B C = Pos. C D = Pos. D E = Pos. E F = Pos. F											

Table I: Connector Series	
802-010 Receptacle with Banding Platform	802-011 Receptacle with Accessory Thread

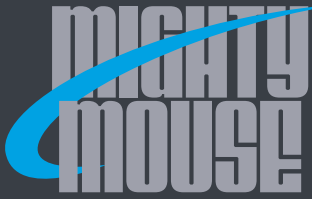
Table II: Shell Style		
-01 In-Line	-02 Square Flange, Front Panel Mount	-07 Jam-nut, Rear Panel Mount



Key Position	A°	B°
A (Normal)	150°	210°
B	75°	210°
C	95°	230°
D	140°	275°
E	75°	275°
F	95°	210°

NOTES

- Grommet protrudes for power/combo/#8 arrangements.
- Crimp contacts used in a rear release retention system
- Receptacle mates with all 802 series plug connectors with same polarization and opposite contact gender
- Hydrostatic pressure rating: 3500 PSI fully mated and properly molded
- Electrical safety limits to be set by user peak voltages, switching surges, transients etc. should be used to determine safe application
- Parker O-ring compound V709-90 or equivalent
- For all insert arrangements with size #8 contacts, add .364" to overall length
- See page F-8 for panel cut-out dimensions
- Material/finish
 - Shell: SST / see How to Order table
 - Insulator: liquid crystal polymer / N.A.
 - Interfacial seal: fluorosilicone / N.A.
 - Contact: Copper alloy / gold plate
 - O-ring: Viton 90 shore / N.A.

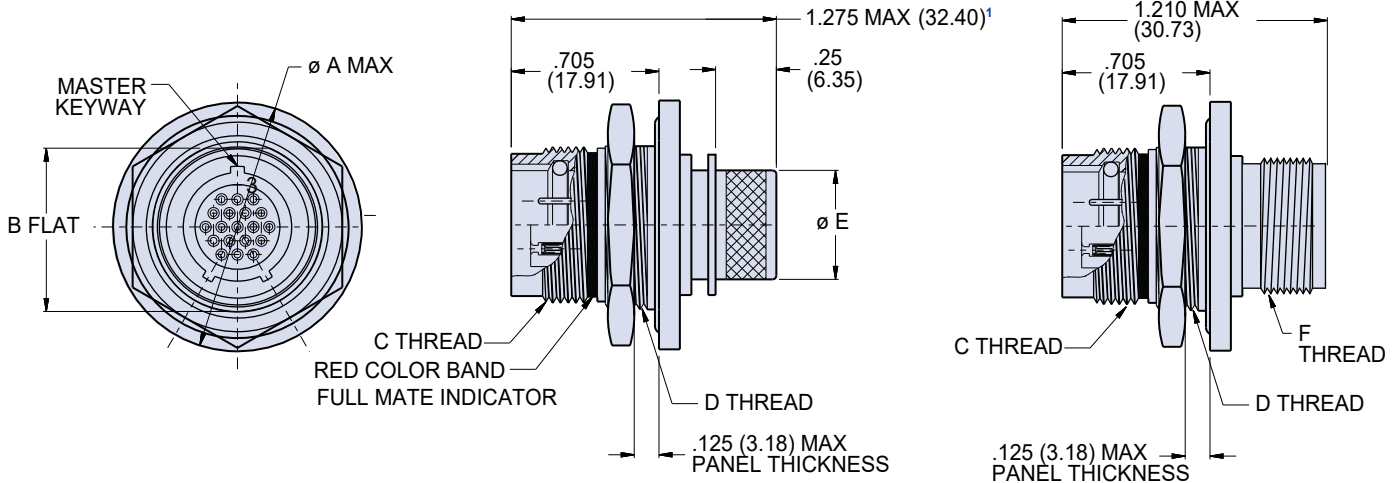


SERIES 802, 3500 PSI SUBMERSIBLE AquaMouse Connectors and Cables



Receptacle with Crimp Removable Contacts and Integral Banding Porch or Accessory Threads

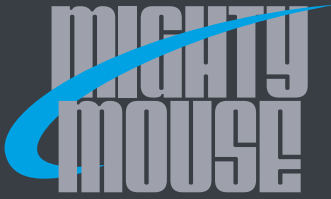
JAM-NUT, REAR PANEL MOUNT - SHELL STYLE 07



Integral Band Platform
802-010

Accessory Thread
802-011

Dimensions						
Shell Size	A Max.	B Flat	C Thread	D Thread	Ø E	F Thread
5	.885 (22.48)	.469 (11.91) .463 (11.76)	.4375-28 UNEF	.5000-32 UN-2A	.232 (5.89)	.2500-32 UNEF-2A
6	1.010 (25.65)	.594 (15.09) .588 (14.94)	.5625-20 UN	.6250-28 UN-2A	.312 (7.92)	.3125-32 UNEF-2A
7	1.072 (27.23)	.656 (16.66) .650 (16.51)	.6250-20 UN	.6875-28 UN-2A	.375 (9.52)	.4375-28 UNEF-2A
8	1.135 (28.83)	.729 (18.52) .725 (18.42)	.6875-20 UN	.7500-28 UN-2A	.438 (11.13)	.5000-28 UNEF-2A
9	1.195 (30.35)	.781 (19.84) .775 (19.68)	.7500-20 UNEF	.8125-28 UN-2A	.500 (12.70)	.5625-24 UNEF-2A
10	1.260 (32.00)	.830 (21.08) .824 (20.93)	.8125-20 UNEF	.8750-28 UN-2A	.562 (14.27)	.6250-24 UNEF-2A
12	1.322 (33.58)	.893 (22.68) .887 (22.53)	.8750-20 UNEF	.9375-28 UN-2A	.656 (16.66)	.6875-24 UNEF-2A
14	1.510 (38.35)	1.080 (27.43) 1.074 (27.28)	1.0625-20 UN	1.1250-28 UN-2A	.812 (20.62)	.8750-20 UNEF-2A
15	1.572 (39.93)	1.143 (29.03) 1.137 (28.88)	1.1250-20 UN	1.1875-28 UN-2A	.885 (22.48)	.9375-20 UNEF-2A
21	1.940 (49.28)	1.467 (37.26) 1.463 (37.16)	1.4375-20 UN	1.5000-28 UN-2A	1.188 (30.18)	1.2500-20 UNEF-2A

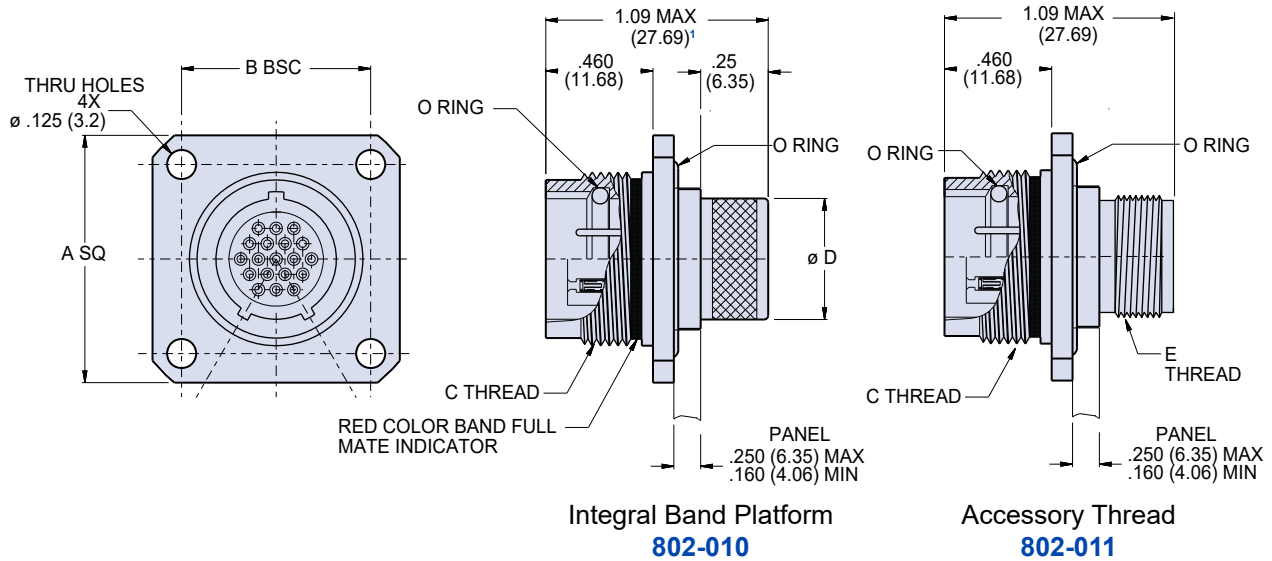


SERIES 802, 3500 PSI SUBMERSIBLE AquaMouse Connectors and Cables



Receptacle with Crimp Removable Contacts and Integral Banding Porch or Accessory Threads

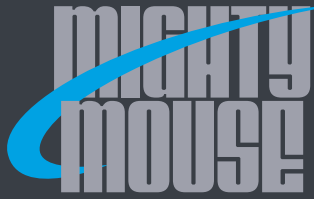
SQUARE FLANGE, FRONT PANEL MOUNT RECEPTACLE - SHELL STYLE 02



Dimensions						
Shell Size	A Square	B Bsc.	C Mating Threads	ϕD	E Accessory Threads	ϕF
5	.885 (22.48)	.500 (12.70)	.4375-28 UNEF	.232 (5.89)	.250-32 UNEF-2A	.327 (8.31)
6	1.010 (25.65)	.625 (15.88)	.5625-20 UN	.312 (7.92)	.312-32 UNEF-2A	.390 (9.91)
7	1.072 (27.23)	.688 (17.48)	.6250-20 UN	.375 (9.52)	.438-28 UNEF-2A	.515 (13.08)
8	1.135 (28.83)	.750 (19.05)	.6875-20 UN	.438 (11.13)	.500-28 UNEF-2A	.577 (14.66)
9	1.195 (30.35)	.812 (20.62)	.7500-20 UNEF	.500 (12.70)	.562-24 UNEF-2A	.640 (16.26)
10	1.260 (32.00)	.875 (22.23)	.8125-20 UNEF	.562 (14.27)	.625-24 UNEF-2A	.702 (17.83)
12	1.323 (33.60)	.938 (23.83)	.8750-20 UNEF	.656 (16.66)	.688-24 UNEF-2A	.765 (19.43)
14	1.510 (38.35)	1.125 (28.58)	1.0625-20 UN	.812 (20.62)	.875-20 UNEF-2A	.953 (24.21)
15	1.573 (39.95)	1.188 (30.18)	1.1250-20 UN	.885 (22.48)	.938-20 UNEF-2A	1.015 (25.78)
21	1.750 (44.45)	1.375 (34.92)	1.4375-20 UN	1.188 (30.18)	1.250-20 UNEF-2A	1.312 (33.32)

Piston O-ring replacement	
Shell size	Flange Style 02 O-ring P/N
5	2-012
6	2-014
7	2-015
8	2-016
9	2-017
10	2-018
12	2-019
14	2-022
15	2-023
21	2-028

SERIES 802 AQUAMOUSE

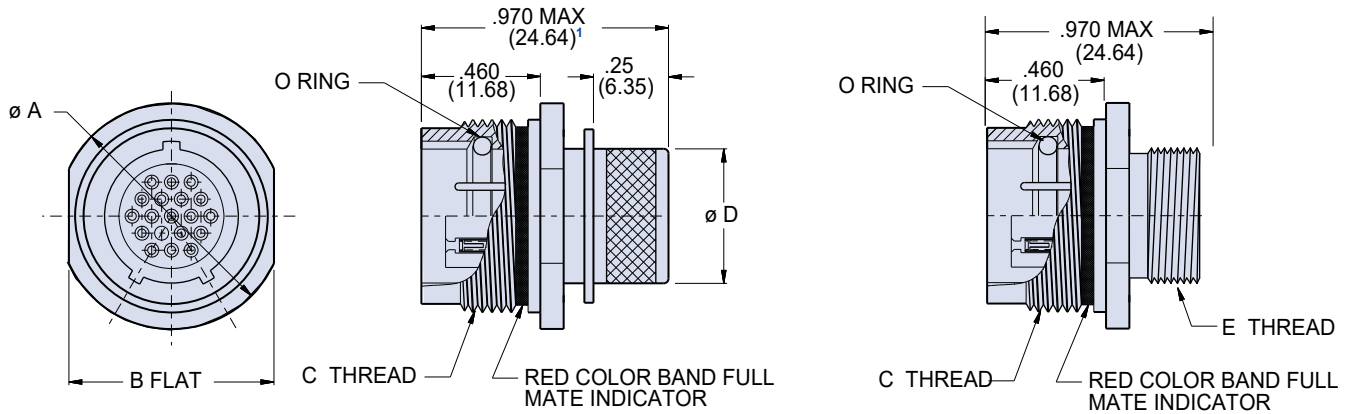


SERIES 802, 3500 PSI SUBMERSIBLE AquaMouse Connectors and Cables



Receptacle with Crimp Removable Contacts and Integral Banding Porch or Accessory Threads

IN-LINE RECEPTACLE - SHELL STYLE 01



Integral Band Platform
802-010

Accessory Thread
802-011

Dimensions					
Shell Size	$\varnothing A$	B Flats	C Mating Threads	$\varnothing D$	E Accessory Threads
5	.560 (14.22)	.500 (12.70)	.4375-28 UNEF	.232 (5.89)	.250-32 UNEF-2A
6	.720 (18.29)	.625 (15.88)	.5625-20 UN	.312 (7.92)	.312-32 UNEF-2A
7	.780 (19.81)	.688 (17.48)	.6250-20 UN	.375 (9.52)	.438-28 UNEF-2A
8	.860 (21.84)	.750 (19.05)	.6875-20 UN	.438 (11.13)	.500-28 UNEF-2A
9	.930 (23.62)	.812 (20.62)	.7500-20 UNEF	.500 (12.70)	.562-24 UNEF-2A
10	1.000 (25.40)	.875 (22.23)	.8125-20 UNEF	.562 (14.27)	.625-24 UNEF-2A
12	1.060 (26.92)	.938 (23.83)	.8750-20 UNEF	.656 (16.66)	.688-24 UNEF-2A
14	1.250 (31.75)	1.125 (28.58)	1.0625-20 UN	.812 (20.62)	.875-20 UNEF-2A
15	1.320 (33.53)	1.188 (30.18)	1.1250-20 UN	.885 (22.48)	.938-20 UNEF-2A
21	1.690 (42.93)	1.562 (39.67)	1.4375-20 UN	1.188 (30.18)	1.250-20 UNEF-2A

Piston O-ring replacement	
Shell size	Piston O-ring P/N
5	2-009
6	5-052
7	5-012
8	5-212
9	2-014
10	2-015
12	2-016
14	2-019
15	2-020
21	2-023

SERIES 802 AQUAMOUSE