

# SERIES 803 BAYONET-LOCK Mighty Mouse Connectors and Cables



## Receptacles with Rear Release Crimp Contacts, Banding Porch or Accessory Threads



**Series 803 receptacles** are available in three shell styles with push-to-mate, ¼ turn-to-lock mating. These quick-mating connectors feature bayonet pins on the receptacle. Push connectors together, and rotate the plug coupling nut 90° to lock connectors. Supplied with crimp contacts, packaged separately. Terminate rear-removable contacts with standard M22520 tools. Metal clips inside the connector body lock contact into place. Fluorosilicone interfacial seal and rear grommet protect from water ingress. Integral band platform and boot groove for direct attachment of cable shield, optimized for Band-Master ATS® bands (sold separately). Select accessory thread option for backshells or strain relief attachments.

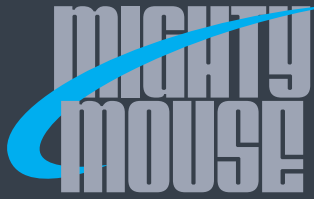
How To Order	
<b>Sample Part Number</b>	<b>803-003</b> -07 NF 6-7 S N
<b>Series (See Table I)</b>	<b>803-003</b> = Receptacle with Banding Platform <b>803-004</b> = Receptacle with Accessory Thread
<b>Shell Style (See Table II)</b>	<b>-01</b> = In-Line <b>-02</b> = Flange Mount <b>-07</b> = Jam-Nut
<b>Shell Material and Finish</b>	<b>C</b> = Aluminum / Black Anodize (Non-Conductive) <b>M</b> = Aluminum / Electroless Nickel <b>MT</b> = Aluminum / Nickel-PTFE <b>NF</b> = Aluminum / Cadmium with Olive Drab Chromate <b>ZNU</b> = Aluminum / Zinc-Nickel with Black Chromate <b>Z1</b> = Stainless Steel / Passivated
<b>Shell Size - Insert Arrangement</b>	See Contact Arrangements Page G-4
<b>Contact Type</b>	Connector supplied with contacts      Connector supplied without contacts <b>P</b> = Pin <b>A</b> = Pin Connector, less contacts <b>S</b> = Socket <b>B</b> = Socket Connector, less contacts Connectors with contacts are supplied with crimp contacts. Contacts not installed. For Coax contacts, order contacts separately and connector without contacts. EI Ochito Contacts are not available.
<b>Polarization (See Table III)</b>	<b>N</b> = Normal <b>X</b> = Pos. X <b>Y</b> = Pos. y <b>Z</b> = Pos. Z

Table III: Keyway Polarization		
Pos.	A°	B°
N	150°	210°
X	75°	210°
Y	95°	230°
Z	140°	275°

Table I: Series	
<b>803-003</b> Plug with Banding Platform	<b>803-004</b> Plug with Accessory Thread

Table II: Shell Style		
<b>-01</b> In-line	<b>-02</b> Flange Mount	<b>-07</b> Jam-Nut

SERIES 803 BAYONET-LOCK

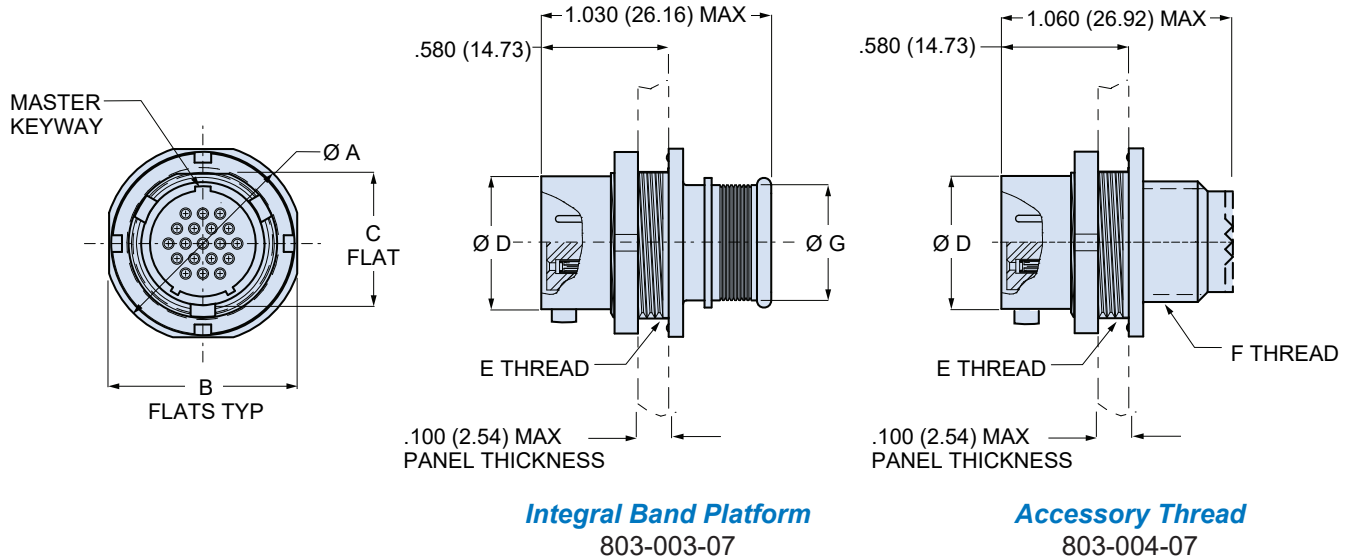


# SERIES 803 BAYONET-LOCK Mighty Mouse Connectors and Cables



## Receptacles with Rear Release Crimp Contacts, Banding Porch or Accessory Threads

### JAM-NUT REAR PANEL MOUNT RECEPTACLE - SHELL STYLE 07

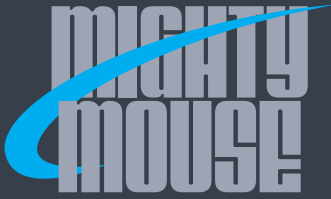


Dimensions							
Shell Size	Ø A	B Flats	C Flat	Ø D	E Thread	F Thread	Ø G
5	.575 (14.60)	.545 (13.84)	.350 (8.89)	.300 (7.62)	.3750-32 UNEF-2A	.2500-32 UNEF-2A	.230 (5.84)
6	.635 (16.13)	.595 (15.11)	.410 (10.41)	.362 (9.19)	.4375-28 UNEF-2A	.3125-32 UNEF-2A	.286 (7.26)
7	.755 (19.18)	.723 (18.36)	.536 (13.61)	.436 (11.07)	.5625-32 UN-2A	.4375-28 UNEF-2A	.390 (9.91)
8	.830 (21.08)	.790 (20.07)	.593 (15.06)	.508 (12.90)	.6250-28 UN-2A	.5000-28 UNEF-2A	.440 (11.18)
9	.830 (21.08)	.790 (20.07)	.593 (15.06)	.561 (14.25)	.6250-28 UN-2A	.5625-24 UNEF-2A	.500 (12.70)
10	.955 (24.26)	.925 (23.50)	.721 (18.31)	.635 (16.13)	.7500-28 UN-2A	.6250-24 UNEF-2A	.562 (14.27)
11	1.078 (27.38)	1.044 (26.52)	.845 (21.46)	.672 (17.07)	.8750-28 UN-2A	.6875-25 UNED-2A	.605 (15.37)
12	1.078 (27.38)	1.044 (26.52)	.845 (21.46)	.714 (18.14)	.8750-28 UN-2A	.6875-24 UNEF-2A	.650 (16.51)
14	1.264 (32.11)	1.230 (31.24)	1.022 (25.96)	.865 (21.97)	1.0625-20 UN-2A	.9375-20 UNEF-2A	.805 (20.45)
15	1.325 (33.65)	1.290 (32.77)	1.096 (27.84)	.925 (23.50)	1.1250-28 UN-2A	.9375-20 UNEF-2A	.850 (21.59)

### NOTES

- Contacts are size 23 crimp type, and are used in a rear release retention system
- For additional insert arrangements consult factory
- Crimp barrel accommodates 22, 24, 26 and 28 gage wire
- Connector mates with all bayonet plug connectors with same polarization and opposite contact gender
- See page G-7 for recommended panel cut-out dimensions
- Crimp Tool Data:
  - Crimp Frame: M22520/2-01
  - Positioner for use with crimp frame: "Glenair Part No. 809-005
- Insertion tool: Glenair part no. 809-013
- Extraction tool: Glenair part no. 809-007 (metal) and 809-0019 (plastic)
- Material and Finish
  - Shell, jam-nut: Aluminum alloy or CRES / see how to order table
  - Insulator: High Grade Rigid Dielectric / N.A.
  - Interfacial seal, grommet seal: fluorosilicone / N.A.
  - Contact: copper alloy / gold plate per ASTM B 488, Type II, Class 1.25, over suitable underplate

SERIES 803 BAYONET-LOCK

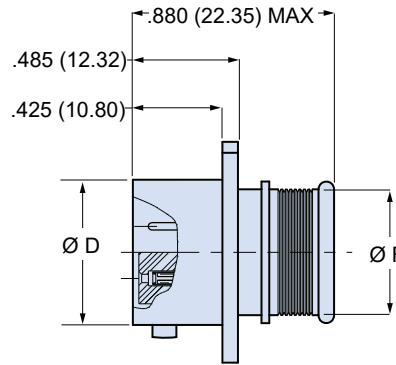
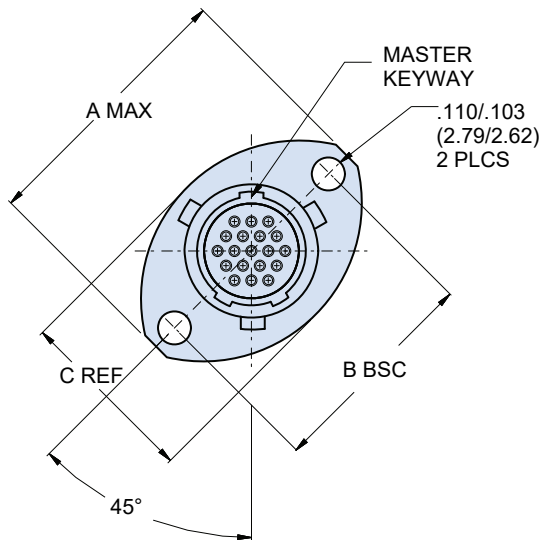


SERIES 803 BAYONET-LOCK  
Mighty Mouse Connectors and Cables

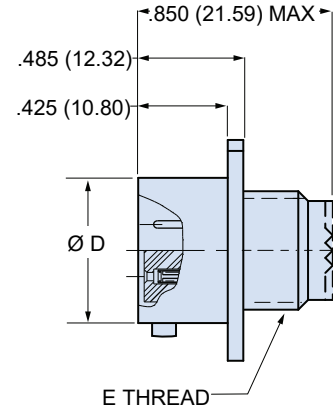


Receptacles with Rear Release Crimp Contacts,  
Banding Porch or Accessory Threads

**FLANGE MOUNT FRONT OR REAR PANEL MOUNT RECEPTACLE - SHELL STYLE 02**



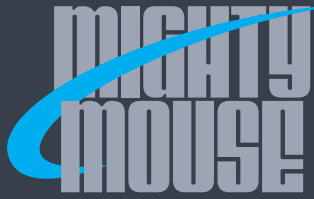
**Integral Band Platform**  
803-003-02



**Accessory Thread**  
803-004-02

Dimensions						
Shell Size	A Max.	B Bsc.	C Ref.	Ø D	E Thread	Ø F
5	.703 (17.86)	.513 (13.03)	.460 (11.68)	.300 (7.62)	.2500-32 UNEF-2A	.230 (5.84)
6	.788 (20.02)	.598 (15.19)	.522 (13.26)	.362 (9.19)	.3125-32 UNEF-2A	.286 (7.26)
7	.890 (22.61)	.708 (17.98)	.590 (14.99)	.436 (11.07)	.4375-28 UNEF-2A	.390 (9.91)
8	1.154 (29.31)	.964 (24.49)	.668 (16.97)	.508 (12.90)	.5000-28 UNEF-2A	.440 (11.18)
9	1.207 (30.66)	1.017 (25.83)	.721 (18.31)	.561 (14.25)	.5625-24 UNEF-2A	.500 (12.70)
10	1.291 (32.79)	1.101 (27.97)	.795 (20.19)	.635 (16.13)	.6250-24 UNEF-2A	.562 (14.27)
12	1.394 (35.41)	1.204 (30.58)	.874 (22.20)	.714 (18.14)	.6875-24 UNEF-2A	.650 (16.51)
14	1.545 (39.24)	1.280 (32.51)	1.050 (26.67)	.865 (21.97)	.9375-20 UNEF-2A	.805 (20.45)

SERIES 803 BAYONET-LOCK



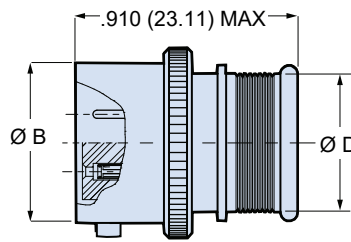
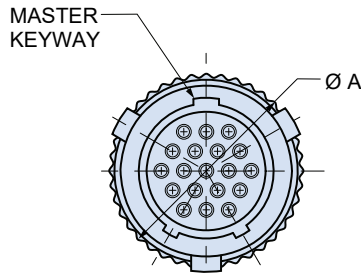
SERIES 803 BAYONET-LOCK

Mighty Mouse Connectors and Cables

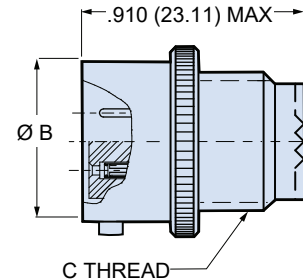


Receptacles with Rear Release Crimp Contacts, Banding Porch or Accessory Threads

**IN-LINE CABLE RECEPTACLE - SHELL STYLE 01**



**Integral Band Platform**  
803-003-01



**Accessory Thread**  
803-004-01

Dimensions				
Shell Size	Ø A Max.	Ø B	C Thread	Ø D
5	.402 (10.21)	.300 (7.62)	.2500-32 UNEF-2A	.230 (5.84)
6	.465 (11.81)	.362 (9.19)	.3125-32 UNEF-2A	.286 (7.26)
7	.500 (12.70)	.436 (11.07)	.4375-28 UNEF-2A	.390 (9.91)
8	.570 (14.48)	.508 (12.90)	.5000-28 UNEF-2A	.440 (11.18)
9	.652 (16.56)	.561 (14.25)	.5625-24 UNEF-2A	.500 (12.70)
10	.715 (18.16)	.635 (16.13)	.6250-24 UNEF-2A	.562 (14.27)
12	.805 (20.45)	.714 (18.14)	.6875-24 UNEF-2A	.650 (16.51)
14	.915 (23.24)	.865 (21.97)	.9375-20 UNEF-2A	.805 (20.45)

SERIES 803 BAYONET-LOCK