



# SERIES 804 QDC PUSH-PULL Mighty Mouse Connectors and Cables



## Front or Rear Panel Mount Receptacles with PC Tails or Solder Cups



### Panel Mount Receptacles

Quick Disconnect Connectors (QDC) feature factory-installed non-removable contacts. Choose solder cup or PC Tail terminals. Available in front or rear panel mount versions. Specify **804-005** connectors for applications where open face water immersion is not a requirement. For MIL-STD-810 Method 512G immersion requirements, specify **804-020** watertight connectors. These 804-020 connectors are specially sealed ("MOD-518") and are 100% tested to meet 1 X 10<sup>-4</sup> ccHe/second @ 1 atmosphere.

How To Order	
<b>Sample Part Number</b>	<b>804-005</b> <b>-07</b> <b>NF</b> <b>9-4</b> <b>E</b> <b>A</b>
<b>Series</b>	<b>804-005</b> = Solder Cup or PCB Receptacle with Standard Potting <b>804-020</b> = Solder Cup or PCB Receptacle with Special "MOD-518" Sealing for Open Face (Unmated) Water Immersion Requirements. 100% Leak Tested.
<b>Shell Style (See Table I)</b>	<b>-00</b> = Jam-Nut, Front Panel Mount <b>-07</b> = Jam-Nut, Rear Panel Mount
<b>Shell Material and Finish</b>	<b>C</b> = Aluminum / Black Anodize (Non-Conductive) <b>M</b> = Aluminum / Electroless Nickel <b>MT</b> = Aluminum / Nickel-PTFE <b>NF</b> = Aluminum / Cadmium with Olive Drab Chromate <b>ZNU</b> = Aluminum / Zinc-Nickel with Black Chromate <b>Z1</b> = Stainless Steel / Passivated
<b>Shell Size - Insert Arrangement</b>	See Contact Arrangements Page H-6
<b>Contact Type</b>	<b>P</b> = Pin, PC Tail <b>E</b> = Pin, Solder Cup <b>S</b> = Socket, PC Tail <b>F</b> = Socket, Solder Cup
<b>Polarization (See Table II)</b>	<b>Omit</b> = Single Master Key <b>A</b> = Normal <b>B</b> = Pos. B <b>C</b> = Pos. C <b>D</b> = Pos. D <b>E</b> = Pos. E <b>F</b> = Pos. F

Table I: Shell Style	
<b>-00</b> Jam-Nut, Front Panel Mount	<b>-07</b> Jam-Nut, Rear Panel Mount

Table II: Keyway Positions			
	<b>Pos.</b>	<b>A°</b>	<b>B°</b>
	A	150°	210°
	B	75°	210°
	C	95°	230°
	D	140°	275°
	E	75°	275°
	F	95°	210°

### NOTES

1. Contacts are nonremovable
2. Receptacle connector mates with all push/pull high density plug connectors with same polarization and opposite contact gender
3. See page H-9 for recommended panel cut-outs
4. Hermeticity of 804-020 is rated at a helium leak rate of 10<sup>-4</sup> ccHe/sec @ 1 atm

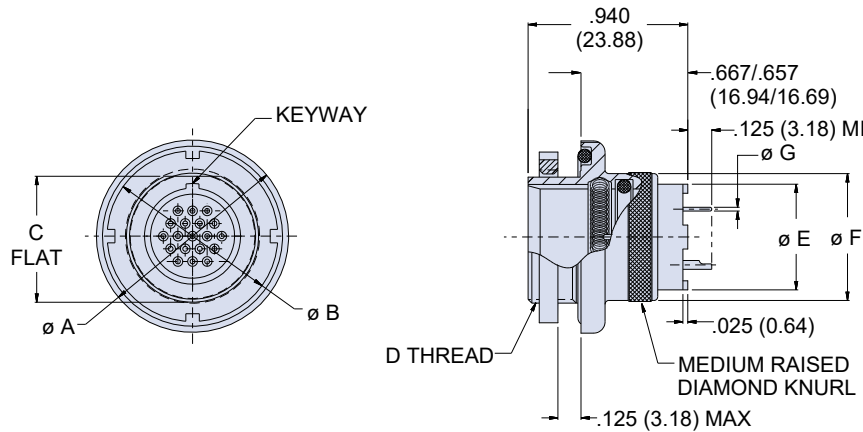


# SERIES 804 QDC PUSH-PULL Mighty Mouse Connectors and Cables



## Front or Rear Panel Mount Receptacles with PC Tails or Solder Cups

### JAM-NUT, REAR PANEL MOUNT RECEPTACLE - STYLE 07

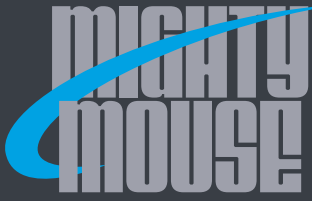


Dimensions							
Shell Size	ø A	ø B	C Flat	D Threads	ø E	ø F	ø G Tail Dia.
5	.730 (18.54)	.562 (14.27)	.415 (10.54)	.4375-32 UN-2A	.244 (6.20)	.435 (11.05)	#23 .018/.022 (0.46/0.56)
6	.730 (18.54)	.625 (15.88)	.467 (11.86)	.5000-32 UN-2A	.330 (8.38)	.483 (12.27)	
7	.910 (23.11)	.750 (19.05)	.594 (15.09)	.6250-28 UN-2A	.432 (10.97)	.570 (14.48)	
8	.955 (24.26)	.750 (19.05)	.594 (15.09)	.6250-28 UN-2A	.493 (12.52)	.593 (15.06)	#20 .024/.028 (0.61/0.71)
9	1.000 (25.40)	.812 (20.62)	.655 (16.64)	.6875-28 UN-2A	.551 (14.00)	.685 (17.40)	#16 .060/.064 (1.52/1.63)
10	1.085 (27.56)	.875 (22.23)	.721 (18.31)	.7500-28 UN-2A	.620 (15.75)	.725 (18.42)	
11	1.135 (28.83)	.938 (23.83)	.788 (20.02)	.8125-28 UN-2A	.662 (16.81)	.810 (20.57)	#12 .092/.096 (2.34/2.44)
12	1.190 (30.23)	1.000 (25.40)	.843 (21.41)	.8750-28 UN-2A	.703 (17.86)	.850 (21.59)	
14	1.325 (33.65)	1.125 (28.58)	.968 (24.59)	1.0000-28 UN-2A	.863 (21.92)	.973 (24.71)	

#### Material and Finish

- Shell, jam-nut: aluminum alloy or CRES / see how to order table
- Insulator: LCP / N.A.
- Interfacial seal, O-ring: fluorosilicone / N.A.
- Contact: copper alloy / gold plate per ASTM B 488, Type II, Code C, Class 1.25, over suitable underplate
- Detent spring: CRES / gold plated
- Potting compound: epoxy / N.A.

SERIES 804 QDC PUSH-PULL

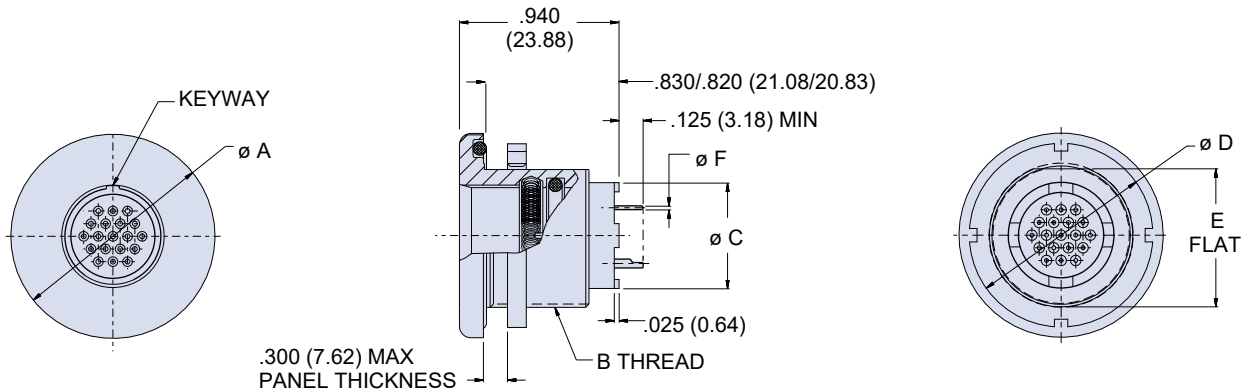


SERIES 804 QDC PUSH-PULL  
Mighty Mouse Connectors and Cables



Front or Rear Panel Mount Receptacles with  
PC Tails or Solder Cups

**JAM-NUT, FRONT PANEL MOUNT RECEPTACLE - STYLE 00**



Dimensions						
Shell Size	Ø A	B Threads	Ø C	Ø D	E Flat	Ø F Tail Dia.
5	.830 (21.08)	.5000-32 UN-2A	.244 (6.20)	.625 (15.88)	.470 (11.94)	#23 .018/.022 (0.46/0.56)
6	.885 (22.48)	.5625-28 UN-2A	.330 (8.38)	.688 (17.48)	.530 (13.46)	
7	.995 (25.27)	.6875-28 UN-2A	.432 (10.97)	.812 (20.62)	.663 (16.84)	
8	.995 (25.27)	.6875-28 UN-2A	.493 (12.52)	.812 (20.62)	.663 (16.84)	#20 .024/.028 (0.61/0.71)
9	1.075 (27.30)	.7500-28 UN-2A	.551 (14.00)	.875 (22.23)	.720 (18.29)	#16 .060/.064 (1.52/1.63)
10	1.140 (28.96)	.8125-28 UN-2A	.620 (15.75)	.938 (23.83)	.788 (20.02)	
11	1.190 (30.23)	.8750-28 UN-2A	.662 (16.81)	1.000 (25.40)	.843 (21.41)	#12 .092/.096 (2.34/2.44)
12	1.340 (34.04)	1.0000-28 UN-2A	.703 (17.86)	1.125 (28.58)	.970 (24.64)	
14	1.390 (35.31)	1.0620-20 UN-2A	.863 (21.92)	1.162 (29.51)	1.020 (25.91)	

Material and Finish

- Shell, jam-nut: aluminum alloy or CRES / see how to order table
- Insulator: LCP / N.A.
- Interfacial seal, O-ring: fluorosilicone / N.A.
- Contact: copper alloy / gold plate per ASTM B 488, Type II, Code C, Class 1.25, over suitable underplate
- Detent spring: CRES / gold plated
- Potting compound: epoxy / N.A.