

SERIES 804 QDC PUSH-PULL Mighty Mouse Connectors and Cables



Glass-to-Metal Seal Hermetic Jam-Nut Mount Receptacles with PC Tails or Solder Cups



Series 804 Glass-Seal Hermetic Receptacles

Quick disconnect connectors (QDC) feature stainless steel shells, fused vitreous glass insulators and gold-plated Alloy 52 iron alloy contacts.

Hermeticity rating

100% tested to meet 1×10^{-7} ccHe/sec @ 1 atm helium leak rate.

Two Shell Styles are available:

Style 00 for front panel mounting

Style 07 for rear panel mounting.

"Push-Pull" Quick-Disconnect

Canted coil spring securely retains mating plug connector and provides low shell-to-shell resistance for excellent EMI shielding. O-ring inside receptacle shell provides water-tight seal when mated.

| How To Order | | | | | | |
|--|---|------------|---|-------------|----------|----------|
| Sample Part Number | 804-006 | -07 | Z1 | 9-19 | P | A |
| Series | 804-006 = Hermetic Receptacle | | | | | |
| Shell Style (See Table I) | -00 = Jam-Nut, Front Panel Mount -07 = Jam-Nut, Rear Panel Mount | | | | | |
| Shell Material and Finish | Z1 = Stainless Steel/Passivated ZB = SST / Olive Drab Chromate over Cadmium ZC = SST Zinc Cobalt Alloy/Black Chromate ZL = Stainless Steel/Nickel Plated ZU = Black Cadmium Per QQ-P-416 Type II ZZN = Zinc Nickel Black per AMS2417 Type II | | | | | |
| Shell Size - Insert Arrangement | See Contact Arrangements Page H-6 | | | | | |
| Contact Type | P = Pin, Solder Cup C = Pin, PC Tail | | S = Socket, Solder Cup D = Socket, PC Tail | | | |
| Polarization (See Table II) | Omit = Single Master Key A = Normal B = Pos. B C = Pos. C D = Pos. D E = Pos. E F = Pos. F | | | | | |

Table I: Shell Style

| | |
|-----------------------------------|----------------------------------|
| | |
| -00 Jam-Nut, Front Panel Mount | -07 Jam-Nut, Rear Panel Mount |

Table II: Keyway Positions

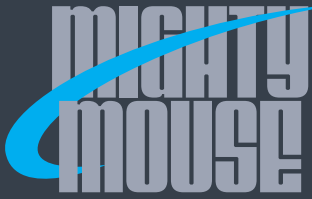
| | | | |
|--|------|------|------|
| | Pos. | A° | B° |
| | A | 150° | 210° |
| | B | 75° | 210° |
| | C | 95° | 230° |
| | D | 140° | 275° |
| | E | 75° | 275° |
| | F | 95° | 210° |

NOTES

1. Contacts are non removable
2. Receptacle connector mates with all push/pull high density plug connectors with same polarization and opposite contact gender
3. See page H-9 for recommended panel cut-outs
4. Hermeticity rating of 1×10^{-7} cc/sec

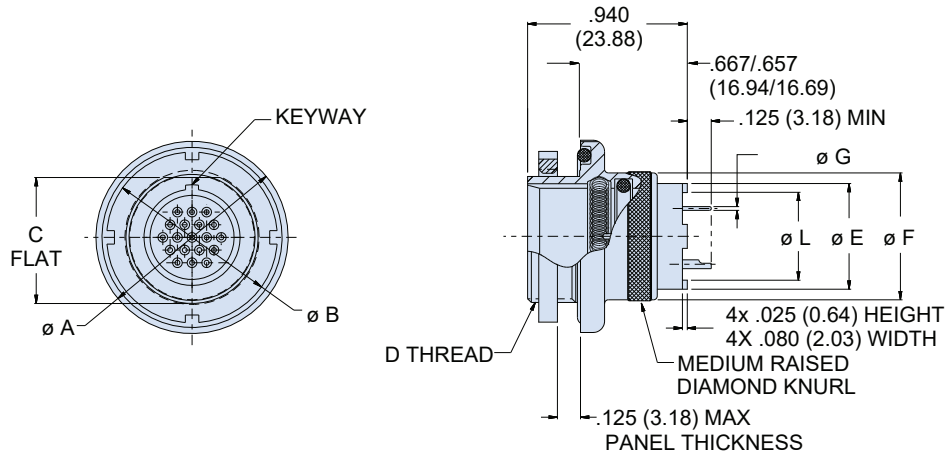
DWV Rating

| Contact Sizes | Test Voltage |
|---------------|--------------|
| 23 | 750 Vac |
| 20 HD | 1000 Vac |
| 16, 12, 8 | 1800 Vac |



Glass-to-Metal Seal Hermetic Jam-Nut Mount Receptacles with PC Tails or Solder Cups

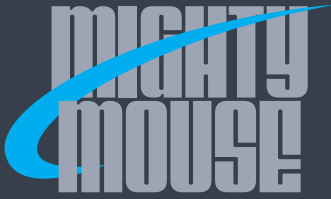
JAM-NUT, REAR PANEL MOUNT RECEPTACLE - SHELL STYLE 07



| Dimensions | | | | | | | | |
|------------|------------------|------------------|-----------------|-----------------|-----------------|------------------|---------------------------------|--------------|
| Shell Size | Ø A | Ø B | C Flat | D Threads | Ø E | Ø F | Ø G Tail Dia. | Ø L |
| 5 | .790 (20.07) | .562 (14.27) | .415 (10.54) | .4375-32 UN-2A | .244 (6.20) | .450 (11.43) | #23 .018/.022 (0.46/0.56) | .176 (4.47) |
| 6 | .830 (21.08) | .625 (15.88) | .467 (11.86) | .5000-32 UN-2A | .336 (8.53) | .520 (13.21) | | .239 (6.07) |
| 7 | .910 (23.11) | .750 (19.05) | .594 (15.09) | .6250-28 UN-2A | .432 (10.97) | .580 (14.73) | #20 .024/.028 (0.61/0.71) | .325 (8.25) |
| 8 | .955 (24.26) | .750 (19.05) | .594 (15.09) | .6250-28 UN-2A | .493 (12.52) | .603 (15.32) | | .389 (9.88) |
| 9 | 1.000 (25.40) | .812 (20.62) | .655 (16.64) | .6875-28 UN-2A | .551 (14.00) | .695 (17.65) | #16 .060/.064 (1.52/1.63) | .447 (11.35) |
| 10 | 1.085 (27.56) | .875 (22.23) | .721 (18.31) | .7500-28 UN-2A | .620 (15.75) | .735 (18.67) | | .516 (13.11) |
| 11 | 1.135 (28.83) | .938 (23.83) | .790 (20.07) | .8125-28 UN-2A | .662 (16.81) | .810 (20.57) | #12 .092/.096 (2.34/2.44) | .558 (14.17) |
| 12 | 1.180 (29.97) | 1.000 (25.40) | .843 (21.41) | .8750-28 UN-2A | .703 (17.86) | .880 (22.35) | | .599 (15.21) |
| 14 | 1.325 (33.65) | 1.125 (28.58) | .968 (24.59) | 1.0000-28 UN-2A | .863 (21.92) | 1.010 (25.65) | | .759 (19.28) |

Material and Finish

- Shell, jam-nut: CRES / see how-to-order table
- Insulator, Hermetic: fused glass/N.A.
- Insulator, socket: hi-grade rigid dielectric/N.A.
- Interfacial seal, O-ring: fluorosilicone / N.A.
- Contact: socket-copper alloy / gold plate
- Contacts, hermetic: nickel-iron alloy / gold plate
- Detent spring-CRES/gold plated
- Potting compound: epoxy / N.A.

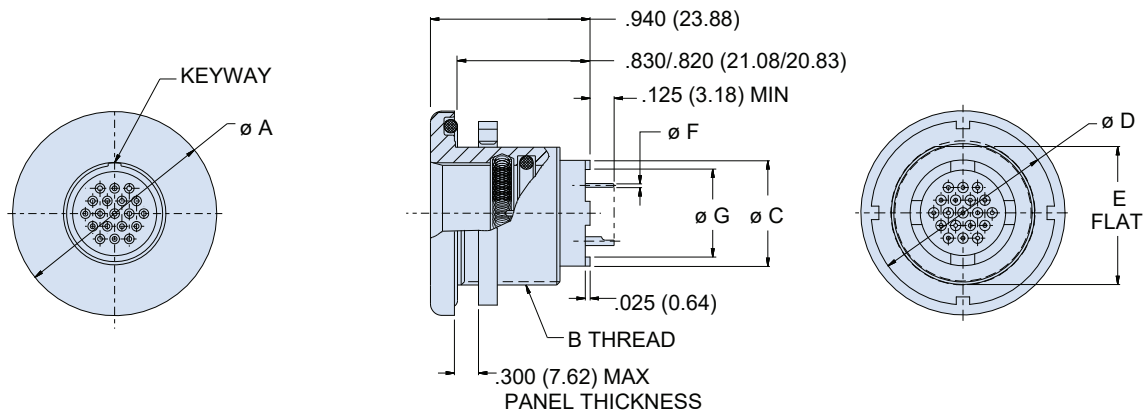


SERIES 804 QDC PUSH-PULL
Mighty Mouse Connectors and Cables



Glass-to-Metal Seal Hermetic Jam-Nut Mount
Receptacles with PC Tails or Solder Cups

JAM-NUT, FRONT PANEL MOUNT RECEPTACLE- SHELL STYLE 00



| Dimensions | | | | | | | |
|------------|------------------|----------------|-----------------|------------------|------------------|---------------------------------|-----------------|
| Shell Size | Ø A | B Threads | Ø C | Ø D | E Flat | Ø F Tail Dia. | Ø G |
| 5 | .830 (21.08) | .5000-32 UN-2A | .244 (6.20) | .625 (15.88) | .470 (11.94) | #23 .018/.022 (0.46/0.56) | .176 (4.47) |
| 6 | .885 (22.48) | .5625-28 UN-2A | .336 (8.53) | .688 (17.48) | .530 (13.46) | | .239 (6.07) |
| 7 | .995 (25.27) | .6875-28 UN-2A | .432 (10.97) | .812 (20.62) | .663 (16.84) | | .325 (8.25) |
| 8 | .995 (25.27) | .6875-28 UN-2A | .493 (12.52) | .812 (20.62) | .663 (16.84) | #20 .024/.028 (0.61/0.71) | .389 (9.88) |
| 9 | 1.075 (27.30) | .7500-28 UN-2A | .551 (14.00) | .875 (22.23) | .720 (18.29) | #16 .060/.064 (1.52/1.63) | .447 (11.35) |
| 10 | 1.140 (28.96) | .8125-28 UN-2A | .620 (15.75) | .938 (23.83) | .788 (20.02) | | .516 (13.11) |
| 11 | 1.190 (30.23) | .8750-28 UN-2A | .662 (16.81) | 1.000 (25.40) | .843 (21.41) | #12 .092/.096 (2.34/2.44) | .558 (14.17) |
| 12 | 1.340 (34.04) | 1.000-28 UN-2A | .703 (17.86) | 1.125 (28.58) | .970 (24.64) | | .599 (15.21) |
| 14 | 1.390 (35.31) | 1.062-20 UN-2A | .863 (21.92) | 1.188 (29.51) | 1.020 (25.91) | | .759 (19.28) |

Material and Finish

- Shell, jam-nut: CRES/ see how to order table
- Insulator, Hermetic: fused glass/N.A.
- Insulator, socket: hi-grade rigid dielectric/N.A.
- Interfacial seal, O-ring: fluorosilicone/N.A.
- Contact: socket-copper alloy / gold plate
- Contacts, hermetic: nickel-iron alloy / gold plate
- Detent spring-CRES/gold plated
- Potting compound: epoxy/N.A.

SERIES 804 QDC PUSH-PULL